

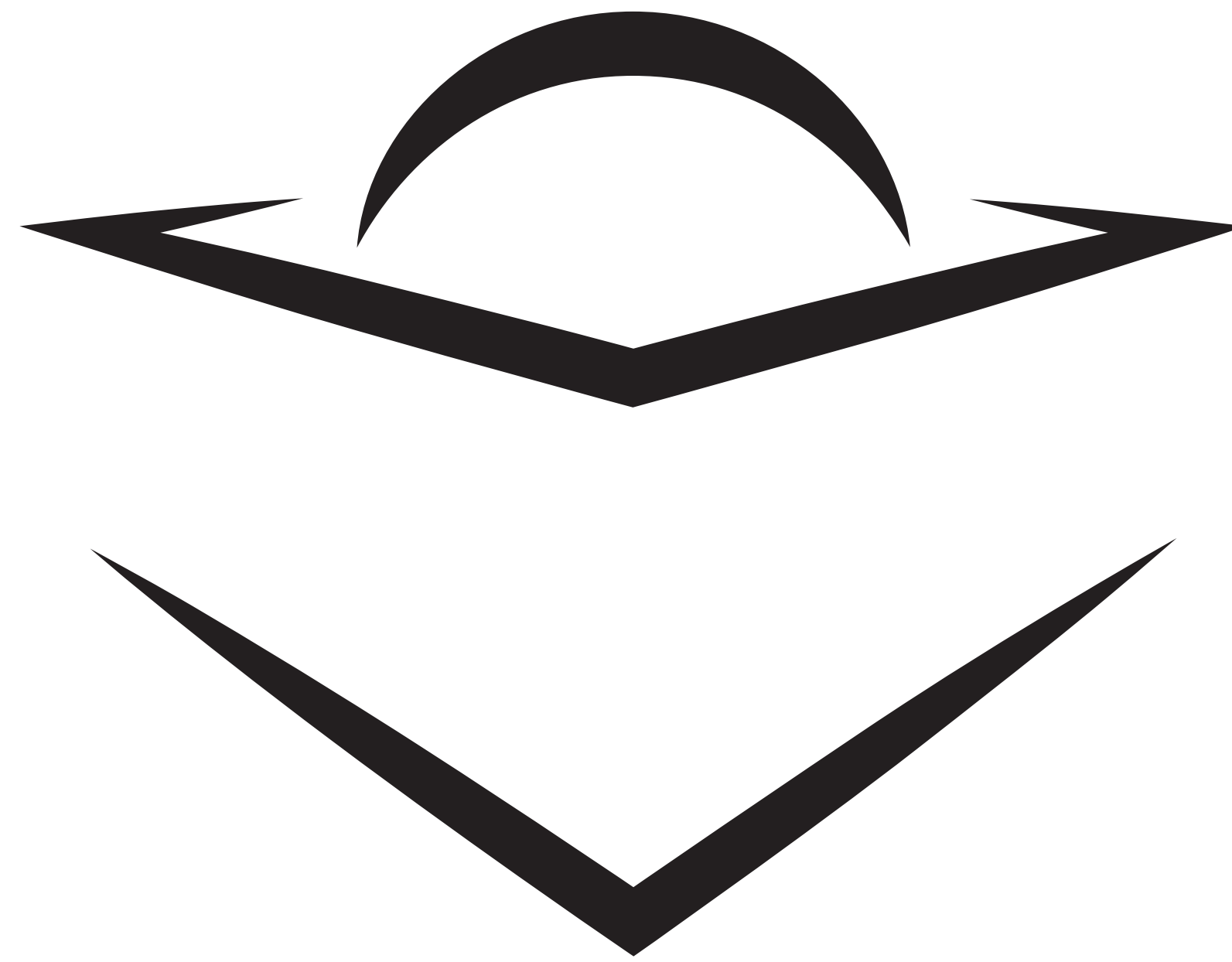


**CENTRALBIDDING**  
FROM CENTRAL AUCTION HOUSE

**BID 25-003: Jackson Planetarium Exhibit Fabrication**  
Jackson Redevelopment Authority

Project documents obtained from [www.CentralBidding.com](http://www.CentralBidding.com)

11-Feb-2025 02:06:30 PM



# JACKSON PLANETARIUM

**201 EAST PASCAGOULA STREET  
JACKSON, MISSISSIPPI**

BID 25-003: JACKSON PLANETARIUM EXHIBIT FABRICATION  
CONSTRUCTION DOCUMENTS  
JANUARY 31, 2025





RUSSELL C. DAVIS  
**PLANETARIUM**

# PLANETARIUM RE-IMAGINING

**100% DESIGN DEVELOPMENT**  
**Space Station**

January 31, 2025



RUSSELL C. DAVIS  
**PLANETARIUM**

THIS DOCUMENT CONTAINS COPYRIGHT MATERIAL AND TRADE SECRET INFORMATION BELONGING TO FALCON'S TREEHOUSE AND ITS CLIENT AS NOTED ON PACKAGE. ANY UNAUTHORIZED USE, DISCLOSURE, REPRODUCTION OR PUBLICATION OF ANY OF THE INFORMATION CONTAINED HEREIN MAY RESULT IN LIABILITY UNDER APPLICABLE LAWS.

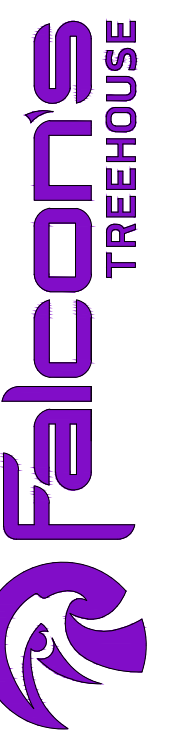
JACKSON  
PLANETARIUM

PHASE: 100% DESIGN DEVELOPMENT - SPACE STATION  
DRAWING TITLE:

COVER PAGE

SCALE: AS NOTED  
DATE: 01-31-2025  
DWS NO.:

D-001





# DRAWING INDEX

SHEET TITLE	REV. NO.	LAST ISSUED	SHEET TITLE	NO.	LAST ISSUED	SHEET TITLE	NO.	LAST ISSUED
<b>GENERAL</b>								
D-001	TITLE	17-NOV-2023						
D-002	DRAWING INDEX	17-NOV-2023						
D-003	GENERAL NOTES	01-SEPT-2023						
D-004	OVERALL NOTES	08-DEC-2023						
D-005	OPERATIONS TIMING LOGIC	01-SEPT-2023						
<b>OVERALL PLANS</b>								
D-101	FIRST FLOOR - OVERALL PLAN	01-SEPT-2023						
D-102	SECOND FLOOR - OVERALL PLAN	01-SEPT-2023						
D-103	THIRD FLOOR - OVERALL PLAN	17-NOV-2023						
D-111	FIRST FLOOR - DIMENSIONED PLAN	01-SEPT-2023						
D-112	SECOND FLOOR - DIMENSIONED PLAN	01-SEPT-2023						
D-113	THIRD FLOOR - DIMENSIONED PLAN	17-NOV-2023						
D-121	FIRST FLOOR - ZONE PLAN	01-SEPT-2023						
D-122	SECOND FLOOR - ZONE PLAN	01-SEPT-2023						
D-123	THIRD FLOOR - ZONE PLAN	01-SEPT-2023						
D-131	FIRST FLOOR - GUEST FLOW PLAN	01-SEPT-2023						
D-132	SECOND FLOOR - GUEST FLOW PLAN	01-SEPT-2023						
D-133	THIRD FLOOR - GUEST FLOW PLAN	17-NOV-2023						
D-143	THIRD FLOOR - FLOOR FINISH PLAN	17-NOV-2023						
D-144	THIRD FLOOR - ILLUSTRATIVE FLOOR PLAN	17-NOV-2023						
D-153	THIRD FLOOR - REFLECTED CEILING PLAN	17-NOV-2023						
D-161	FIRST FLOOR - POWER & DATA PLAN	01-SEPT-2023						
D-163	THIRD FLOOR - POWER & DATA PLAN	17-NOV-2023						
D-173	THIRD FLOOR - POWER & DATA RCP	17-NOV-2023						
D-183	THIRD FLOOR - LIGHTING CONTROL INTENT	01-SEPT-2023						
D-184	THIRD FLOOR - AUDIO DESIGN INTENT	01-SEPT-2023						
<b>AV</b>								
D-191	OVERALL SITE - AV LINE DIAGRAM	01-SEPT-2023						
D-192	SPACE STATION - WIRING CHARTS	01-SEPT-2023						
D-193	SPACE STATION - WIRING CHARTS	01-SEPT-2023						
D-194	OVERALL SITE - PRELIMINARY INTERCONNECT	01-SEPT-2023						
<b>OVERALL ELEVATIONS</b>								
D-201	OVERALL SITE - B&W ELEVATIONS	08-DEC-2023						
D-202	SPACE STATION - B&W ELEVATIONS	01-SEPT-2023						
D-203	SPACE STATION - B&W ELEVATIONS	01-SEPT-2023						
D-301	OVERALL SITE - ELEVATIONS	01-SEPT-2023						
D-302	SPACE STATION - ELEVATIONS	01-SEPT-2023						
D-303	SPACE STATION - ELEVATIONS	01-SEPT-2023						
<b>OVERALL SECTIONS</b>								
D-401	SITEWIDE SECTIONS	01-SEPT-2023						
D-402	SITEWIDE SECTIONS	01-SEPT-2023						
<b>OVERALL DETAILS</b>								
D-501	OVERALL DETAIL - ELEVATOR INTERIOR	01-SEPT-2023						
D-502	OVERALL DETAIL - ELEVATOR INTERIOR	01-SEPT-2023						
D-503	SPACE STATION DETAIL - PORTAL	01-SEPT-2023						
D-504	SPACE STATION DETAIL - PORTAL	01-SEPT-2023						
D-505	SPACE STATION DETAIL - THEATER PORTAL	01-SEPT-2023						
D-506	SPACE STATION DETAIL - THEATER PORTAL	01-SEPT-2023						
D-507	SPACE STATION DETAIL - FAUX DOOR	01-SEPT-2023						
D-511	SPACE STATION DETAIL - CEILING DETAIL	01-SEPT-2023						
D-512	SPACE STATION DETAIL - MONITOR DETAIL	01-SEPT-2023						
D-513	SPACE STATION DETAIL - MONITOR DETAIL	01-SEPT-2023						
D-551	FIRST FLOOR DETAIL - ELEVATOR PORTAL	08-DEC-2023						
<b>SIGNAGE &amp; GRAPHICS</b>								
D-601	SIGNAGE & GRAPHICS SCHEDULE	01-SEPT-2023						
D-611	SIGNAGE & GRAPHICS PLAN - FIRST FLOOR	01-SEPT-2023						
D-612	SIGNAGE & GRAPHICS PLAN - SECOND FLOOR	01-SEPT-2023						
D-613	SIGNAGE & GRAPHICS PLAN - THIRD FLOOR	01-SEPT-2023						
D-621	SIGNAGE DETAIL	01-SEPT-2023						
D-622	SIGNAGE DETAIL	01-SEPT-2023						
D-623	SIGNAGE DETAIL	01-SEPT-2023						
D-624	SIGNAGE DETAIL	01-SEPT-2023						
<b>SUPPLEMENTARY IMAGERY</b>								
D-901	MODEL SHOTS	01-SEPT-2023						
D-901	SPACE STATION STYLE BOARD	01-SEPT-2023						
D-902	FINISH SCHEDULE	01-SEPT-2023						
D-903	FINISH SCHEDULE	01-SEPT-2023						

RUSSELL C. DAVIS  
PLANETARIUM

THIS DOCUMENT CONTAINS COPYRIGHT MATERIAL AND TRADE SECRET INFORMATION BELONGING TO FALCON'S TREEHOUSE AND ITS CLIENT AS NOTED ON PACKAGE. ANY UNAUTHORIZED USE, DISCLOSURE, REPRODUCTION OR PUBLICATION OF ANY OF THE INFORMATION CONTAINED HEREIN MAY RESULT IN LIABILITY UNDER APPLICABLE LAWS.

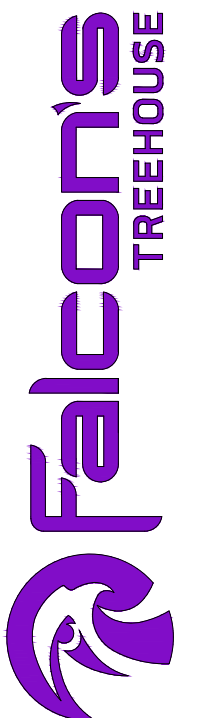
JACKSON  
PLANETARIUM

PHASE: 00% DESIGN DEVELOPMENT - SPACE STATION  
DRAWING TITLE:

INDEX

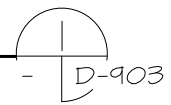
SCALE: AS NOTED  
DATE: 01-31-2025  
DWG NO.:

D-002



Category	ID	Location Description	Details Part # / Item Name / Color	Manufacturer Site Link / Contact	Image	Notes
	FL-01		Lorpearl F716 Color: Marlin Silver	<a href="#">Lorpearl Flooring</a>		
	FL-11	Space Station Base Trim	Nora Rubber Base Trim 6267 Floral White	<a href="#">Nora</a>		
	FL-12	Elevator, Airlock, Gantry Base Trim	Nora Rubber Base Trim 6288 Silver	<a href="#">Nora</a>		
	FL-13	Elevator, Airlock, Gantry Base Trim	Nora Rubber Base Trim 6286 Gunsmoke	<a href="#">Nora</a>		
	FL-15	Doorway Transition Strips	Mannington Color Anchor Rubber ColorScape Daffodil 820	<a href="#">Mannington</a>		
	FL-16	Doorway Transition Strips	Mannington Color Anchor Rubber ColorScape Black 701	<a href="#">Mannington</a>		
Category	ID	Location Description	Details Part # / Item Name / Color	Manufacturer Site Link / Contact	Image	Notes
MISC. ELEMENTS	MS-002	Signage	Brushed Aluminum	This is a reference image only		
	MS-003	Applied Wall Graphics	Koroseal Ds0121	<a href="#">Link</a>		

FINISH SCHEDULE  
SCALE: N.T.S.



RUSSELL C. DAVIS  
PLANETARIUM

THIS DOCUMENT CONTAINS COPYRIGHT MATERIAL AND TRADE SECRET INFORMATION BELONGING TO FALCON'S TREEHOUSE AND ITS CLIENT AS NOTED ON PACKAGE. ANY UNAUTHORIZED USE, DISCLOSURE, DISSEMINATION OR PUBLICATION OF ANY OF THE INFORMATION CONTAINED HEREIN MAY RESULT IN LIABILITY UNDER APPLICABLE LAWS.

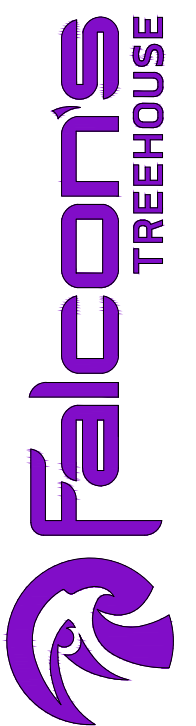
JACKSON  
PLANETARIUM

PHASE: 000% DESIGN DEVELOPMENT - SPACE STATION  
DRAWING TITLE:

SPACE STATION  
FINISH SCHEDULE

SCALE: AS NOTED  
DATE: 01-31-2025  
DWS NO.:

D-903





# ABBREVIATIONS

## GENERAL

@	AT
CL	CENTERLINE
(E)	EXISTING
AFF	ABOVE FINISH FLOOR
ACT	ACOUSTICAL CEILING TILE
APRX	APPROXIMATE
ASPH	ASPHALT
BOH	BACK OF HOUSE
CLG	CEILING
COL	COLUMN
CONC	CONCRETE
CTR	CENTER
DET	DETAIL
DIA	DIAMETER
DIM	DIMENSION
DN	DOWN
DR	DOOR
DWG	DRAWINGS
E	EAST
EA	EACH
EL	ELEVATION
ELEC	ELECTRICAL
EQ	EQUAL
EQUIP	EQUIPMENT SPEC
EXT	EXTERIOR
FL	FLOOR
GC	GENERAL CONTRACTOR
GL	GLASS/GLAZING
GYP	GYPNUM
GWB	GYPNUM WALL BOARD
HC	HOLLOW CORE
HR	HANDRAIL
INT	INTERIOR
JAN	JANITOR
LAV	LAVATORY
LT	LIGHT
MAX	MAXIMUM
MFR	MANUFACTURER
MIN	MINIMUM
MIR	MIRROR
MISC	MISCELLANEOUS
MTD	MOUNTED
MUL	MULLION
NIS	NOT IN SCOPE
NO OR #	NUMBER
NTS	NOT TO SCALE
OC	ON CENTER
PB	PLUMBING FIXTURE
PLAS	PLASTER
PLYWD	PLYWOOD
RM	ROOM
S	SOUTH
SC	SOLID CORE
SO	SQUARE
SS	STAINLESS STEEL
ST	STAIRS
STD	STANDARD
TYP	TYPICAL
UON	UNLESS OTHERWISE NOTED
VIF	VERIFY IN FIELD
W	WEST
W	WITH
WIN	WINDOW
WC	WATER CLOSET
WD	WOOD

## SCENIC FINISHES

C	CARPET
FM	FLOOR MOSAIC
FT/WT	FLOOR OR WALL TILE
LAM	LAMINATE
M	MOLDING
MAF	MISCELLANEOUS WALL FINISH
MWP	METAL WALL PANEL
P	PAINT TREATMENT
PL	PLASTIC LAMINATE
RF	RESILIENT FLOORING
S	STAIN WOOD
SC	STAINED & SEALED CONCRETE
ST	STONE SLAB
SS	SOLID SURFACE
SPT	SPECIALTY PAINT TREATMENT
SWP	SPECIALTY WALL PANEL
T&G	TONGUE AND GROOVE
VB	VINYL BASE BOARD
VF	VINYL FLOORING
WC	WALL COVERING
WF	WOOD FLOORING
WIN	WINDOW TREATMENTS
WSC	WAINSCOT

## LIGHTING

AV	AV
M	MONITOR
S	SPEAKER
PR	PROJECTOR
P	MEDIA PLAYER
D	AUTOMATED DOORS
CL	COVE LIGHTING
DL	DECORATIVE LIGHTING
EM	EMERGENCY LIGHT
F	FLOURESCENT LIGHT
L	LAMP
LED	LED LIGHT
PL	PENDANT LIGHT
RL	RECESSED LIGHTING
TL	TRACK LIGHTING

## GRAPHICS & SIGN.

A6	APPLIED GRAPHIC
DS	DIMENSIONAL SIGN
VN	APPLIED VINYL GRAPHIC
WM	WALL MURAL
WF	WAYFINDING

## FURNITURE & EQUIP.

B&B	BOOTHS & BANQUETTES
BN	BENCH
CH	CHAIR
F	FURNITURE
LKR	LOCKER
TB	TABLE
TR	TRASH RECEPTACLE

# GRAPHIC SYMBOLS

## GENERAL / CONSTRUCTION

SYMBOL	DESCRIPTION
	INDICATES ELEVATION NUMBER INDICATES SHEET NUMBER
	SECTION REFERENCE LETTER DRAWING REFERENCE NUMBER
	DETAIL REFERENCE NUMBER INDICATES SHEET NUMBER
	INDICATES HEIGHT OF SURFACE FROM FINISHED FLOOR
	INDICATES HEIGHT OF FINISHED FLOOR
	INTERIOR PARTITION WALLS
	FACILITY EXTERIOR WALLS
	HEADER / SURFACE ABOVE
	INDICATES AREA RESERVED FOR HVAC
	DOOR

## REFERENCE SYMBOLS

SYMBOL	DESCRIPTION
	DESIGNATED GRAPHIC LOCATIONS
	PROPOSED FAN LOCATIONS
	BACKLIT WINDOW BOX
	PRIMARY GUEST FLOW
	GROUP GUEST FLOW
	EXIT GUEST FLOW
	EMERGENCY ACCESS
	OUTSIDE OF DRAWING EXTENTS

## DISCIPLINE TAGS

SYMBOL	DESCRIPTION
	ARCHITECTURAL NOTING
	FINISH TAG

# GENERAL NOTES

1. THE INFORMATION AND MATERIAL CONTAINED IN THIS DRAWING IS FOR DESIGN INTENT ONLY. FINAL CONSTRUCTION IS TO REFLECT INTENT IN PHYSICAL AND FUNCTIONAL FORM. FINAL ARCHITECTURE, ENGINEERING AND CONSTRUCTION METHODS ARE TO BE DETERMINED BY THE PROPER LICENSED VENDORS.
2. CONSTRUCTION MATERIALS AND METHODS ARE TO MEET OR EXCEED LOCAL BUILDING CODE STANDARDS AND WILL BE DETERMINED BY THE FM AND LOCAL VENDORS.
3. SCENIC FINISHES ARE TO BE APPROVED BY THE DESIGNATED SCENIC ART DIRECTOR.
4. IT IS THE INTENT OF FTH TO PRODUCE THESE DOCUMENTS AS ACCURATE AS POSSIBLE FOR THE PURPOSE OF GRAPHIC REPRESENTATION. DO NOT "SCALE" THESE DOCUMENTS. THE DIMENSIONS SHOWN ARE TO TAKE PRECEDENCE OVER SCALING THE DOCUMENTS. THE GENERAL CONTRACTOR SHALL TAKE FULL RESPONSIBILITY FOR AN INCORRECT WORK AND ANY REPAIR OF SAID WORK AS A RESULT OF SCALING THE DOCUMENTS.
5. ALL WORK PERFORMED BY THE GENERAL CONTRACTOR SHALL COMPLY AND CONFORM WITH LOCAL, STATE AND/OR NATIONAL BUILDING CODES, ORDINANCES AND REGULATIONS, ALONG WITH ALL OTHER AUTHORITIES HAVING JURISDICTION. THE GENERAL CONTRACTOR IS RESPONSIBLE TO BE AWARE OF THESE REQUIREMENTS AND GOVERNING REGULATIONS.
6. THE GENERAL CONTRACTOR SHALL THOROUGHLY REVIEW AND BECOME FAMILIAR WITH THESE DOCUMENTS. UPON REVIEW THE GENERAL CONTRACTOR SHALL DOCUMENT AND NOTIFY FTH OF ANY ERRORS, OMISSIONS, DISCREPANCIES AND/OR INCONSISTENCIES PRIOR TO THE START OF ANY PORTION OF THE PROPOSED WORK. FTH SHALL REVIEW THE PROPOSED CORRECTIONS AFTER THE RECEIPT OF NOTIFICATION. THE REVIEW OF DISCREPANCIES AND/OR CONFLICTS AFTER THE START OF WORK SHALL BE THE FULL RESPONSIBILITY OF THE GENERAL CONTRACTOR TO REPAIR OR REPLACE.
7. IF THE GENERAL CONTRACTOR DOES NOT REVIEW THE DOCUMENTS AS OUTLINED IN THE NOTE 5 ABOVE THEN THE GENERAL CONTRACTOR SHALL BE RESPONSIBLE FOR THE CORRECTION OF ANY ERRORS, OMISSIONS, DISCREPANCIES AND/OR INCONSISTENCIES WHICH HAVE NOT BEEN BROUGHT TO FTH'S ATTENTION.
8. THE GENERAL CONTRACTOR SHALL FIELD VERIFY ALL EXISTING SITE CONDITIONS, ALONG WITH DIMENSIONS, PRIOR TO THE START OF ANY PORTION OF THE WORK. ALL FINDING DISCREPANCIES AND CONCERNS SHALL BE BROUGHT TO THE OWNERS' ATTENTION IN WRITTEN FORMAT.
9. THE GENERAL CONTRACTOR SHALL BE RESPONSIBLE FOR ALL WORK AND MATERIALS REPRESENTED ON THESE DOCUMENTS INCLUDING THE WORK AND MATERIAL FURNISHED BY SUBCONTRACTORS AND VENDORS.
10. DEVIATIONS FROM THESE DOCUMENTS IN THE CONSTRUCTION PHASE SHALL BE REVIEWED BY FTH AND THE OWNER PRIOR TO THE START OF THE WORK. IN QUESTION, ANY DEVIATIONS FROM THESE DOCUMENTS WITHOUT PRIOR REVIEW SHALL BE THE SOLE RESPONSIBILITY OF THE GENERAL CONTRACTOR.
11. IT IS THE SOLE RESPONSIBILITY OF THE GENERAL CONTRACTOR TO DETERMINE ERECTION PROCEDURE, MEANS AND METHODS AND SEQUENCE OF CONSTRUCTION.
12. SHOP DRAWING REVIEW AND DISTRIBUTION, ALONG WITH PRODUCT SUBMITTALS, REQUESTED IN THE CONSTRUCTION DOCUMENTS, SHALL BE REVIEWED BY THE GENERAL CONTRACTOR FOR COMPLIANCE BEFORE SUBMITTING TO FTH FOR REVIEW BY THE APPROPRIATE PARTY, UNLESS DIRECTED OTHERWISE UNDER A SEPARATE AGREEMENT.
13. FTH SHALL NOT ACCEPT OR REVIEW ANY REQUEST FOR SHOP DRAWING REVIEW AND/OR STAMP WITHOUT THE REVIEW AND STAMP OF THE GENERAL CONTRACTOR CLEARLY SHOWN ON THE DOCUMENTS.
14. THE GENERAL CONTRACTOR SHALL VERIFY AND BE RESPONSIBLE FOR ALL SPECIAL EQUIPMENT REQUIREMENTS.
15. NEITHER THE DESIGNER OF RECORD, THE DESIGN FIRM NOR ANY OF FTH'S EMPLOYEES, BY THESE DRAWINGS OR BY VERBAL MEANS, IN ANY WAY REPRESENT THAT THEY ARE GENERAL CONTRACTORS.
16. ALL MATERIALS AND EQUIPMENT SHALL BE INSTALLED IN ACCORDANCE WITH MANUFACTURER'S SPECIFICATIONS AND RECOMMENDATIONS.
17. THE GENERAL CONTRACTOR SHALL COORDINATE WITH THE MILLWORK CONTRACTOR TO DETERMINE REQUIREMENTS FOR AND INSTALL ALL INTERIOR WALL BLOCKING REQUIRED FOR ALL WALL HUNG CABINETS, TRIM, MILLWORK, AND/OR ANY RELEVANT SCENIC ELEMENTS.
18. NO SUBSTITUTIONS WILL BE ALLOWED FOR ANY PRODUCT OR MATERIAL SPECIFIED IN THESE DESIGN DRAWINGS WITHOUT INFORMING THE OWNER.
19. FTH DOES NOT WARRANT ANY SPECIFIED FINISH MATERIAL OR ANY CONSTRUCTION METHOD, TECHNIQUE OR ASSEMBLY CONTAINED IN THESE INTERIOR DESIGN DRAWINGS. THE SHORT AND LONG TERM PERFORMANCE OF ALL INTERIOR PRODUCTS, FINISHES AND MATERIALS IS SOLELY THE RESPONSIBILITY OF THE MANUFACTURER OF THESE ITEMS AND THE INSTALLATION SUB-CONTRACTOR THAT SUPPLIES OR INSTALLS THESE ITEMS.

RUSSELL C. DAVIS  
PLANETARIUM

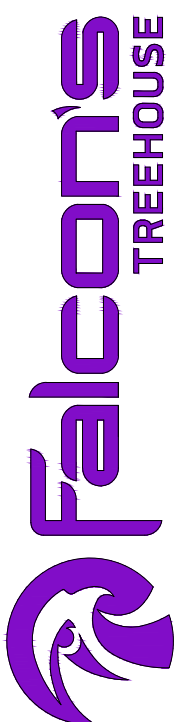
THIS DOCUMENT CONTAINS COPYRIGHT MATERIAL AND TRADE SECRET INFORMATION BELONGING TO FALCON'S TREEHOUSE AND ITS CLIENT AS NOTED ON PACKAGE. ANY UNAUTHORIZED USE, DISCLOSURE, REPRODUCTION OR PUBLICATION OF ANY OF THE INFORMATION CONTAINED HEREIN MAY RESULT IN LIABILITY UNDER APPLICABLE LAWS.

JACKSON  
PLANETARIUM

PHASE: 000R DESIGN DEVELOPMENT - SPACE STATION  
DRAWING TITLE:

GENERAL NOTES

SCALE: AS NOTED  
DATE: 01-31-2025  
DWG NO.: D-003





# NOTES & MATERIALS

- 1 - DRYWALL CONSTRUCTION WITH LEVEL 4 FINISH AND SCENIC PAINT TREATMENT
- 2 - DRYWALL CONSTRUCTION IN LEVEL 4 FINISH WITH SCENIC SCUFF RESISTANT PAINT TREATMENT
- 3 - DIMENSIONAL DRYWALL CEILINGS WITH LEVEL 3 FINISH AND SCENIC PAINT TREATMENT - LED LIGHTING TO BE INTEGRATED INTO CEILING COVES
- 4 - DRYWALL SOFFIT WITH LEVEL 3 FINISH AND SCENIC PAINT TREATMENT AND INTEGRATED LED LIGHTING
- 5 - APPLIED SUPERGRAPHIC - PLEASE REFER TO GRAPHIC SCHEDULE & RELEVANT GRAPHIC TAG FOR FURTHER INFORMATION
- 6 - DIMENSIONAL SCENIC CLADDING IN LAYERED MDF CONSTRUCTION WITH SCENIC PAINT TREATMENT
- 7 - LEVEL 3 DRYWALL WITH APPLIED MAX CONTRAST SCREEN 900
- 8 - FACILITY ACCESS DOOR WITH LAYERED MDF CLADDING AND SCENIC PAINT TREATMENT
- 9 - ELEVATOR DOORS WITH BRUSHED ALUMINUM FINISH
- 10 - DOOR FRAME WITH SCENIC PAINT TREATMENT
- 11 - DIMENSIONAL DOOR FRAME IN MDF CONSTRUCTION WITH TRIM MOLDING IN SCENIC PAINT FINISH - RECESSED LED LIGHTING CHANNELS INTEGRATED INTO FRAME WITH DIFFUSED ACRYLIC - CONSTRUCTED TO BE FLUSH WITH SCENIC FRAME
- 12 - DIMENSIONAL DOOR FRAME CONSTRUCTED OF LAYERED MDF AND TRIMMED WITH FLEXIBLE MOLDING AND SCENIC PAINT FINISH - RECESSED LED LIGHTING CHANNELS INTEGRATED INTO FRAME WITH DIFFUSED ACRYLIC - CONSTRUCTED TO BE FLUSH WITH SCENIC FRAME
- 13 - AUTOMATIC SLIDING DOORS WITH APPLIED LAYERED SCENIC FLATS IN THEMATIC PAINT FINISH - DOORS TO BE ON "J" TRACK, OR SIMILAR, TO ALLOW FOR INTENDED OPENING/CLOSING EFFECT. DOORS TO HAVE BREAK-AWAY CAPABILITIES AS REQUIRED FOR EMERGENCY EGRESS
- 14 - NON-FUNCTIONING FAUX SCENIC CLADDING IN LAYERED MDF CONSTRUCTION WITH SCENIC PAINT TREATMENT
- 15 - DIMENSIONAL SCENIC CLADDING IN LAYERED MDF CONSTRUCTION WITH THERMOFORMED KYDEX LAMINATE OR SIMILAR FINISH TREATMENT
- 16 - DIMENSIONAL SCENIC COLUMN IN LAYERED MDF CONSTRUCTION WITH THERMOFORMED KYDEX LAMINATE AND SCENIC PAINT FINISH
- 17 - RUBBER BASE MOLDING
- 18 - RECESSED RUBBER BASE MOLDING WITH INTEGRATED LED TOE-KICK LIGHTING
- 19 - FLAT STOCK BASE BOARD FINISHED WITH HIGH PRESSURE LAMINATE. SCUFF RESISTANT PAINT ALLOWED AS AN ALTERNATIVE FINISH
- 20 - FLAT STOCK BASE BOARD WITH 55-DEGREE CHAMFERED EDGE AND FINISHED WITH HIGH PRESSURE LAMINATE. SCUFF RESISTANT PAINT ALLOWED AS AN ALTERNATIVE FINISH
- 21 - POLYCARBONATE SIGN WITH APPLIED GRAPHIC AND EDGE LIGHTING INTEGRATED INTO BASE. BASE TO BE CONSTRUCTED OF MDF WITH SCENIC PAINT TREATMENT
- 22 - CROWN MOLDING WITH SCENIC PAINT TREATMENT
- 23 - RECESSED LED LIGHTING EFFECT WITH POLYCARBONATE DIFFUSER
- 24 - SURFACE MOUNTED LED LIGHTING EFFECT WITH ALUMINUM FRAMED DIFFUSER
- 25 - WAYFINDING SIGNAGE - POLYCARBONATE PANEL, EDGE LIT BY LED LIGHTING INTEGRATED INTO FRAME. SIGNAGE FRAME CONSTRUCTED OF MDF WITH SCENIC PAINT TREATMENT. PLEASE REFER TO GRAPHICS SCHEDULE FOR FURTHER DETAILS
- 26 - WAYFINDING SIGNAGE - BRUSHED ALUMINUM PANEL, EDGE LIT BY LED LIGHTING INTEGRATED INTO FRAME. SIGNAGE FRAME CONSTRUCTED OF MDF WITH SCENIC PAINT TREATMENT. PLEASE REFER TO GRAPHICS SCHEDULE FOR FURTHER DETAILS
- 27 - MARQUEE SIGNAGE - WATERJET CUT BRUSHED ALUMINUM LETTERING ATTACHED TO DRYWALL USING ALUMINUM SPACERS AND STUDS. PLEASE REFER TO GRAPHICS SCHEDULE FOR FURTHER DETAILS
- 28 - RECESSED 65" MONITOR (SAMSUNG Q665R) WITH REMOVABLE MDF BEZEL IN SCENIC PAINT FINISH
- 29 - RECESSED 43" MONITOR 4 SAMSUNG Q648R) WITH REMOVABLE MDF BEZEL IN SCENIC PAINT FINISH
- 30 - EMERGENCY EGRESS DOOR WITH LAYERED FRP CONSTRUCTION AND SCENIC PAINT TREATMENT
- 31 - FACILITY ACCESS HATCH WITH SCENIC PAINT TREATMENT
- 32 - THEATER DOORS WITH LAYERED MDF CONSTRUCTION AND SCENIC PAINT TREATMENT
- NUMBER GAP HERE TO ALLOW FOR ADDITIONAL NOTES IF NECESSARY
- 40 - 3" ALUMINUM SPACER
- 41 - 2" ALUMINUM STUD
- 42 - WATERJET CUT BRUSHED ALUMINUM LETTER
- 43 - FRAMED ALUMINUM GRATING IN POWDERCOAT FINISH FOR AUDIO AND VENTILATION
- 44 - FRAMED PERFORATED ALUMINUM MESH IN POWDERCOAT FINISH
- 45 - ALUMINUM FRAMING
- 46 - 1" DIAMETER ALUMINUM RAILING
- 47 - ALUMINUM HAND RAILING
- 48 - LED CAN LIGHTING
- 49 - DIMENSIONAL MDF DROP CEILING WITH SCENIC PAINT TREATMENT
- 50 - RECESSED LED LIGHTING EFFECT WITH DIFFUSER TO RESEMBLE STARS
- 51 - LED LIGHTING STRIPS
- 52 - 3/4" MDF PANELS WITH BEVELED EDGES
- 53 - 3/4" MDF PANELS WITH CNC ROUTED CHANNELS FOR RECESSED LIGHTING
- 54 - 3/4" MDF PANELS FINISHED WITH HIGH PRESSURE LAMINATE
- 55 - PVC TUBING WITH METALLIC PAINT FINISH AND POLYURETHANE TOPCOAT
- 56 - 1" MDF PANEL WITH 1/2" CNC ROUTED DECORATIVE CHANNEL
- 57 - 1/2" X 1/2" CNC ROUTED DECORATIVE CHANNEL
- 58 - 3/4" PLYWOOD BACKING
- 59 - 2" WOODEN SUPPORT STRUCTURE
- 60 - RECESSED ALLEN HEAD SOCKET GAP BOLTS - RETAINERS/RECEIVERS TO BE BUILT INTO CABINET FRAMEWORK TO ALLOW FOR EASE OF INSTALL
- 61 - BRUSHED ALUMINUM HARDWARE
- 62 - DOOR PIVOT POINT AND CASING FOR ELECTRICAL WIRING
- 63 - DOOR PIVOT POINT AND EXTENSION
- 64 - "J" TRACK MECHANISM
- 65 - 45-DEGREE CLEAR POLYCARBONATE PANEL SUPPORTED BY L BRACKETS ON EITHER SIDE - BRACKET TO BE SELECTED TO BE AS SMALL AS POSSIBLE AND PAINTED TO MATCH SIDENALL COLORS
- 66 - BAS RELIEF SCULPT WITH APPLIED FABRICS AND TEXTILES TO MATCH THE APPEARANCE OF A SPACE SUIT - FINAL LOOK/DEVELOPMENT OF THIS ELEMENT TO BE CONFIRMED WITH NASA AS NECESSARY FOR ACCURACY
- 67 - POLYCARBONATE DIMENSIONAL HELMET WITH GOLD-COLORED ONE-WAY MIRRORING GLASS FILM APPLIED TO INTERIOR FACE
- 68 - CABLE FROM BRIGHT SIGN IN CONDUIT, CONNECTED TO NEXT MONITORS
- 69 - DOWEL PEG ANCHORED INTO WALL. FRAME TO BE SECURED TO WALL WITH MOUNTING SCREWS
- 70 - BRIGHT SIGN DEVICE (NO 235)
- 71 - FULL MOTION TV MOUNT (KANTO PDX650)
- 72 - POWER OUTLETS
- 73 - 43" MONITOR (SAMSUNG Q648R) REAR MOUNTED TO WOODEN SUPPORT STRUCTURE FACE DOWN
- 74 - 18" TOUCHSCREEN MONITOR (BEETRONICS 18T5TM) RECESSED IN MDF CLADDING WITH THERMOFORMED KYDEX LAMINATE OR SIMILAR FINISH TREATMENT
- 75 - 65" MONITOR (SAMSUNG Q665R) REAR MOUNTED USING FULL MOTION TV MOUNT AND RECESSED IN MDF CLADDING
- 76 - 18" MONITOR (SAMSUNG Q618R) REAR MOUNTED USING BRACKET MOUNT AND RECESSED IN MDF CLADDING
- 77 - 55" TOUCHSCREEN MONITOR (QMS55-T) REAR MOUNTED USING FULL MOTION TV MOUNT AND RECESSED IN MDF CLADDING
- 78 - 10" TOUCHSCREEN MONITOR (BEETRONICS 10T5TM) RECESSED IN MDF CLADDING
- 79 - 7" TOUCHSCREEN MONITOR (BEETRONICS 7T5TM) RECESSED IN MDF CLADDING
- 80 - SCULPTED DRYWALL CYCLOPAMA SCREEN WITH LEVEL 3 FINISH AND MAX CONTRAST SCREEN 900 TREATMENT
- 81 - ULTRA SHORT THROW PROJECTOR
- 82 - 2" DIAMETER DIGITAL MEDIA SPHERE - PURCHASED AND MODIFIED
- 83 - BLACK SURFACE MOUNT LOUD SPEAKER (Q-SYS AD-54T) MOUNTED INTERNALLY IN CABINET WITH PERFORATED POWDER COATED ALUMINUM GRATING FOR SOUND TRANSMISSION
- 84 - 20" BLACK COMMERCIAL PENDANT DOME SPEAKER (SOUNDTUBE PP6020-H) CEILING MOUNTED
- 85 - PASSIVE INFRARED MOTION DETECTOR (HMS ELECTRONICS BS-PIR-Z) ACTING AS TRIGGER FOR MEDIA PLAYBACK. DETECTOR TO BE RECESSED INTO HEADER ABOVE INTERACTIVE.
- 86 - DIMENSIONAL SIGNAGE FRAME IN MDF CONSTRUCTION WITH INTEGRATED INTERIOR LED FRAME LIGHTING AND SCENIC PAINT
- 87 - BRUSHED ALUMINUM WITH APPLIED GRAPHICS FIRMLY AFFIXED TO WALL
- 88 - BRUSHED ALUMINUM SIGNAGE STANDOFFS FIRMLY AFFIXED TO WALL
- 89 - DIMENSIONAL SIGNAGE FRAME IN MDF CONSTRUCTION WITH SCENIC PAINT TREATMENT
- 90 - LED WALL (MIRACLE)
- 91 - POLYCARBONATE WINDOW PANELS WITH BRUSHED ALUMINUM MULLIONS
- 92 - INTERACTIVE GAME JOYSTICKS/CONTROLS MOUNTED SECURELY TO INTERACTIVE MOUNTING TO BE REINFORCED AS NECESSARY TO ENSURE LONGEVITY OF INTERACTIVE JOYSTICK TO BE ABLE TO WITHSTAND HEAVY UTILIZATION
- 93 - BLACK PENDANT CEILING MOUNTED LOUD SPEAKER (QSC AD-P6T)
- 94 - FINAL MOUNTING SURFACE TO BE DRYWALL WITH LEVEL 4 FINISH - ADDITIONAL BLOCK REQUIRED TO SUPPORT SIGNAGE IN ALL MOUNTING LOCATIONS

## GENERAL NOTE:

THIS SHEET SERVES AS AN INDEX FOR NOTES ACROSS BOTH PHASES OF DESIGN AND COVERS RELEVANT INFORMATION FOUND WITHIN THE ELEVATIONS, SECTIONS, DETAILS, AND PLANS.

RUSSELL C. DAVIS  
PLANETARIUM

THIS DOCUMENT CONTAINS COPYRIGHT MATERIAL AND TRADE SECRET INFORMATION BELONGING TO FALCONS TREEHOUSE AND ITS CLIENT AS NOTED ON PACKAGE. ANY UNAUTHORIZED USE, DISCLOSURE, DISSEMINATION OR PUBLICATION OF ANY OF THE INFORMATION CONTAINED HEREIN MAY RESULT IN LIABILITY UNDER APPLICABLE LAWS.

JACKSON  
PLANETARIUM

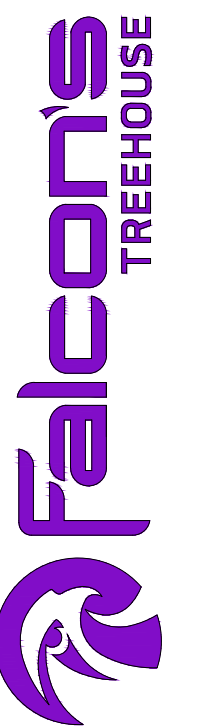
PHASE: 000R DESIGN DEVELOPMENT - SPACE STATION  
DRAWING TITLE:

OVERALL  
GENERAL NOTES

DATE: 01-31-2025

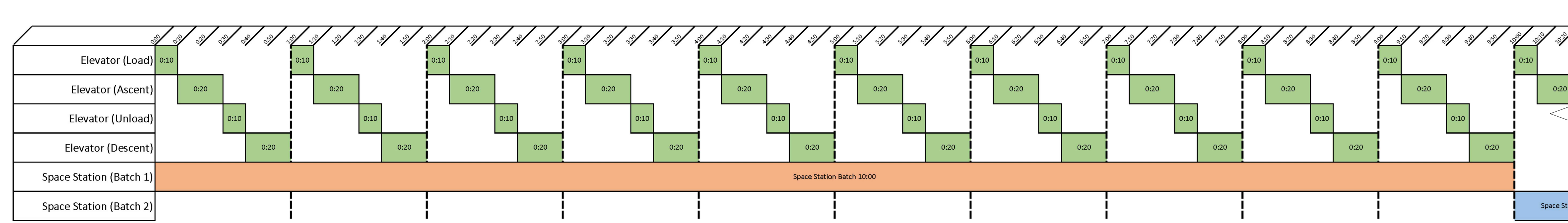
SCALE: AS NOTED

DWG NO.: D-004





# OPERATIONS TIMING LOGIC



FROM AN OPERATIONS PERSPECTIVE, THE MOST LIMITING FACTOR FOR GUEST THROUGHPUT IS THE ASCENT ELEVATOR. AT 42 SQFT, EACH BATCH OF GUESTS IS LIMITED TO A MAXIMUM OF 6 PEOPLE. IF WE ASSUME A 10-SECOND LOAD, 20-SECOND ASCENT, 10-SECOND UNLOAD, AND 20-SECOND DESCENT, WE HAVE A CYCLE TIME OF 60 SECONDS:

1 HR (3600 SEC) / CYCLE TIME (60 SEC) = 60 CYCLES PER HOUR

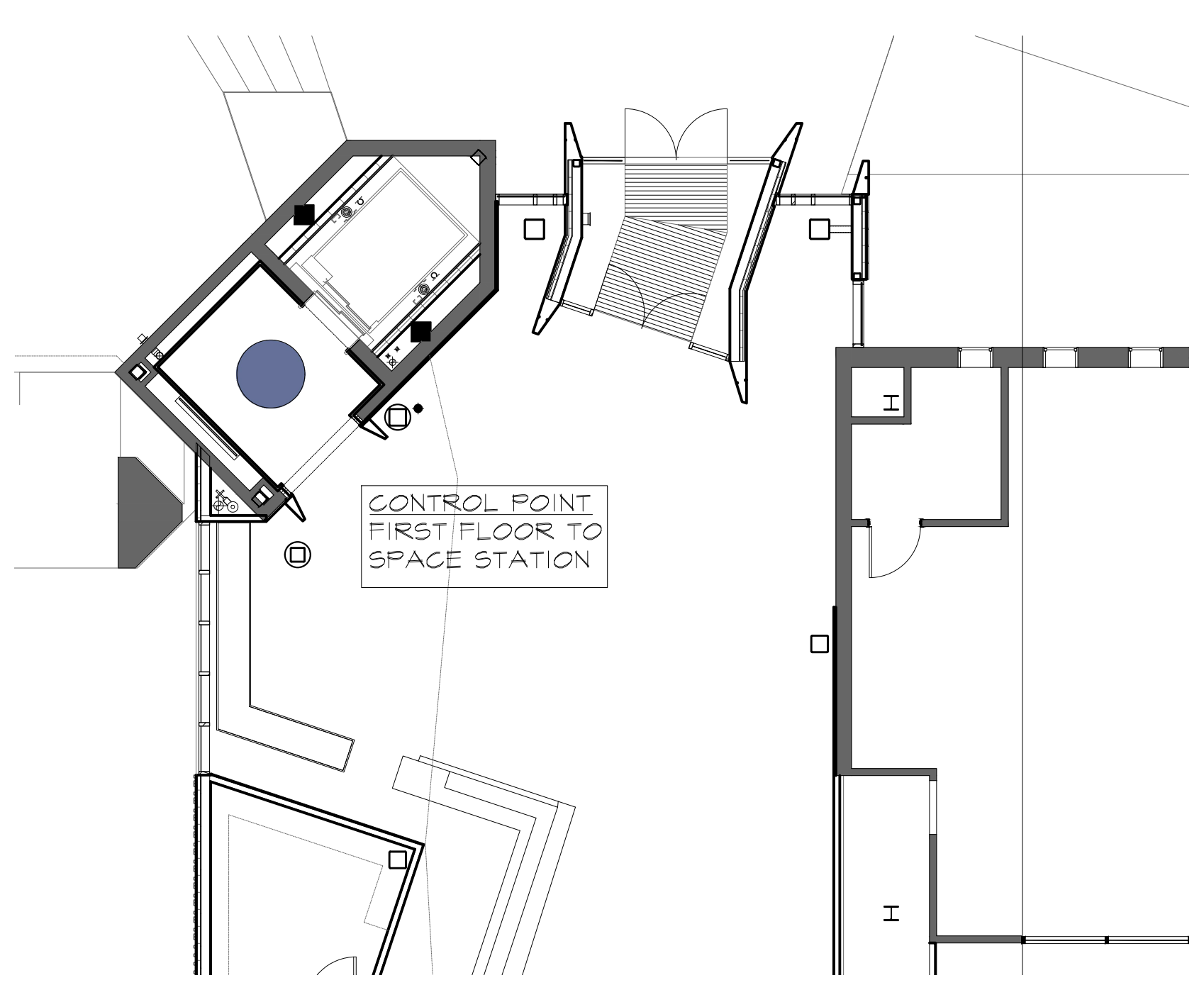
6 GUESTS PER CYCLE X 60 CYCLES PER HOUR = 360 GUESTS PER HOUR

WHILE THE MAIN SHOW DURATION HAS NOT YET BEEN FINALIZED, WE ENVISION AN APPROXIMATELY 10-MINUTE CYCLE TIME. SINCE THE ELEVATOR IS RESPONSIBLE FOR FEEDING THE GUESTS INTO THE MAIN SHOW:

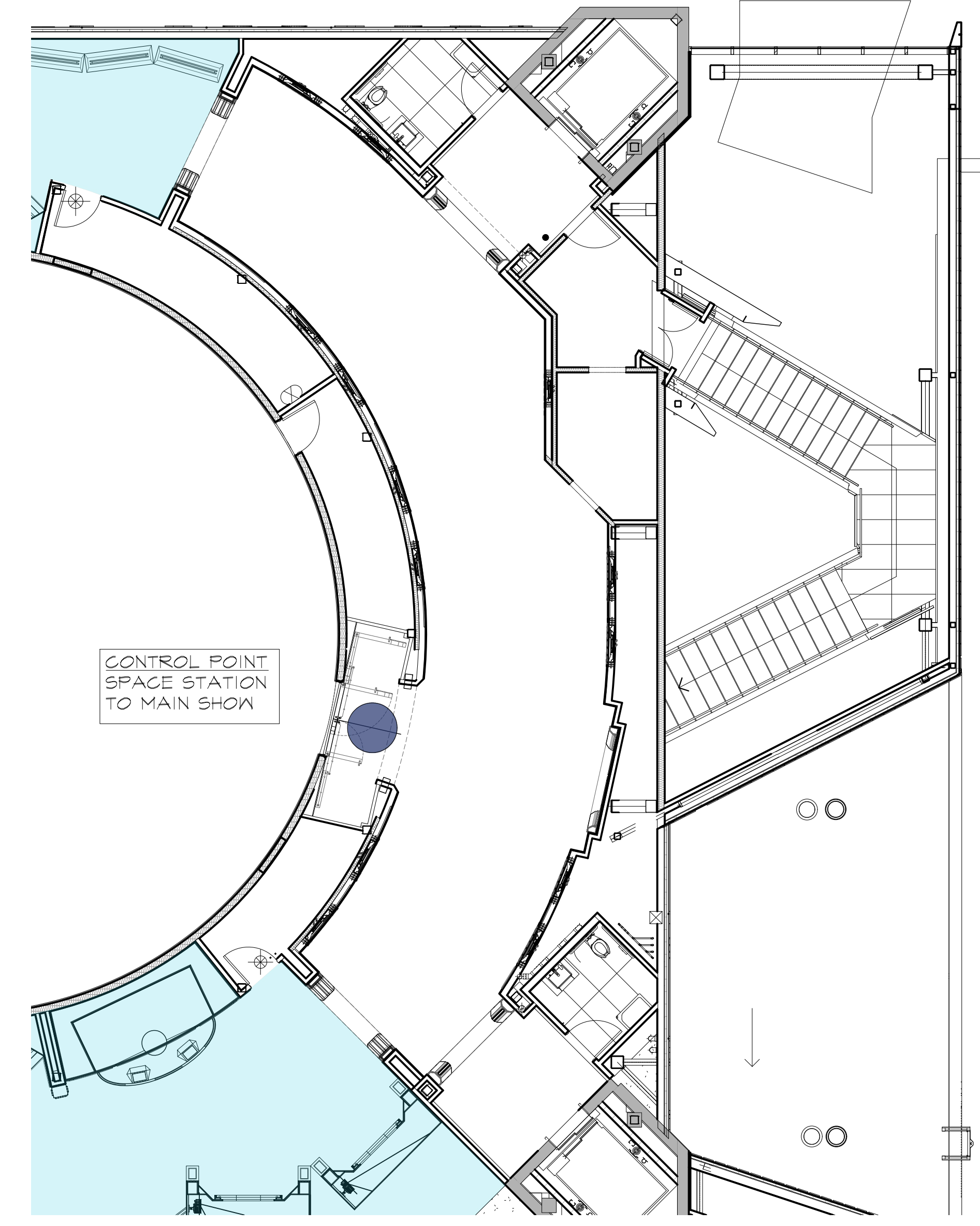
6 GUESTS PER MIN X 10 MIN MAIN SHOW BATCH = 60 GUESTS PER BATCH

THEREFORE, EACH SPACE STATION BATCH WOULD THEORETICALLY CONTAIN 60 GUESTS, GIVING US A GUEST DENSITY OF APPROXIMATELY 22 SQFT PER PERSON (1,316 SQFT OF USABLE BATCH AREA).

THERE ARE TWO CONTROL POINTS AT THE FIRST FLOOR ELEVATOR ENTRY AND THE THIRD FLOOR ENTRY INTO MAIN SHOW.



FIRST FLOOR - ENLARGED PLAN  
SCALE: 1/8" = 1'



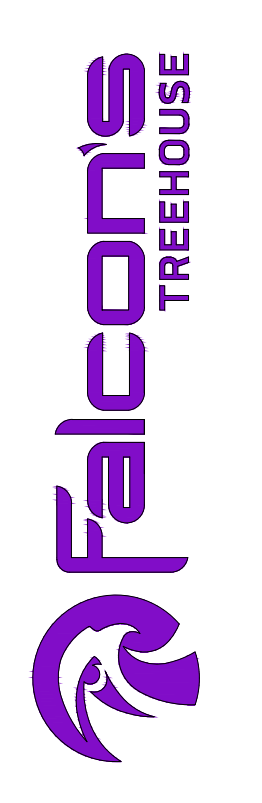
THIRD FLOOR - ENLARGED PLAN  
SCALE: 1/8" = 1'

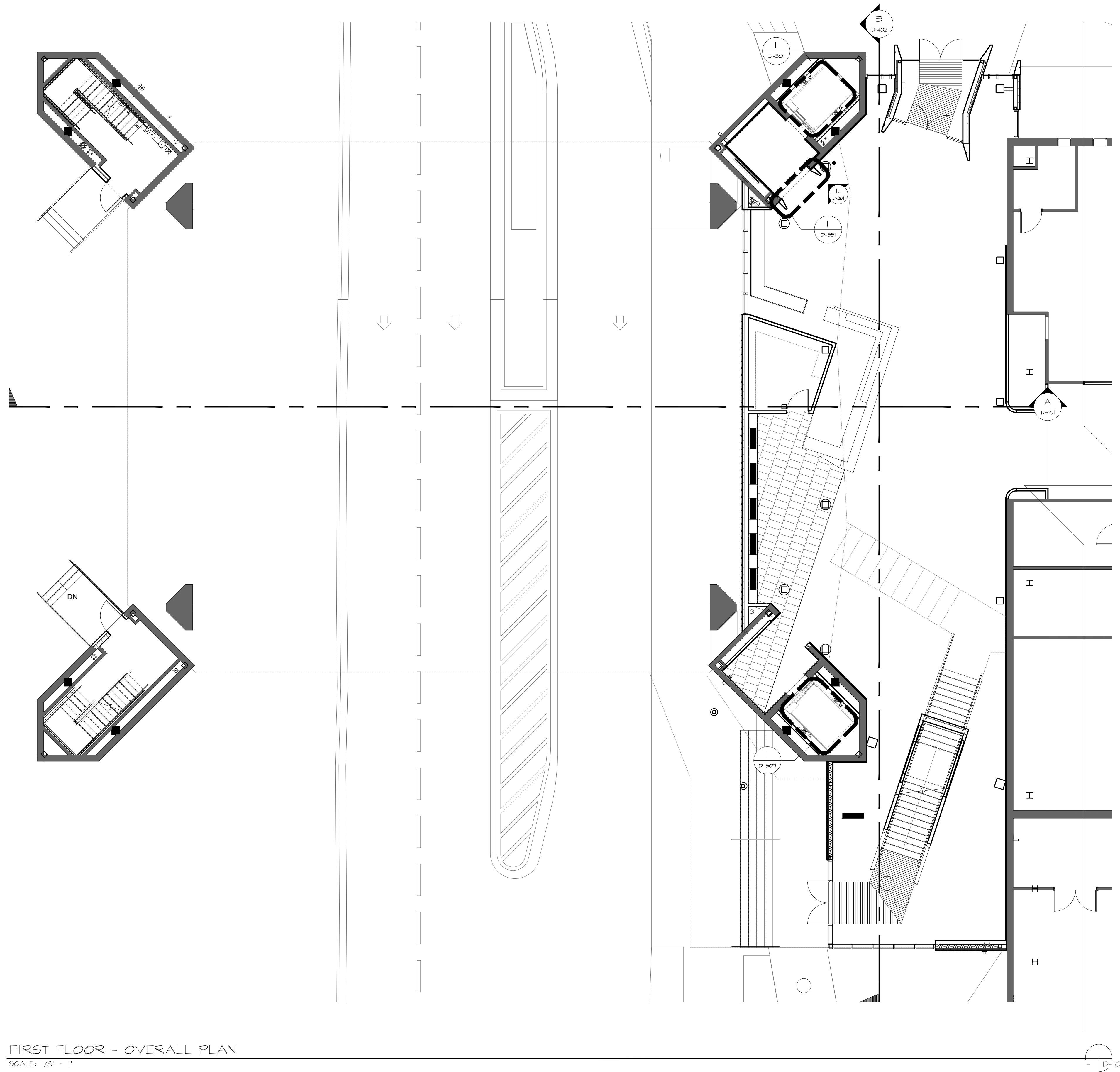
NOTES:  
● - CONTROL POINT

RUSSELL C. DAVIS  
PLANETARIUM

THIS DOCUMENT CONTAINS COPYRIGHT MATERIAL AND TRADE SECRET INFORMATION BELONGING TO FALCONS TREEHOUSE AND ITS CLIENT AS NOTED ON PACKAGE. ANY UNAUTHORIZED USE, DISCLOSURE, REPRODUCTION OR PUBLICATION OF ANY OF THE INFORMATION CONTAINED HEREIN MAY RESULT IN LIABILITY UNDER APPLICABLE LAWS.

JACKSON  
PLANETARIUM  
PHASE: 00% DESIGN DEVELOPMENT - SPACE STATION  
DRAWING TITLE: OVERALL OPERATIONS TIMING LOGIC  
SCALE: AS NOTED  
DATE: 01-31-2025  
DWG NO.: D-005





FIRST FLOOR - OVERALL PLAN  
SCALE: 1/8" = 1'

RUSSELL C. DAVIS  
PLANETARIUM

THIS DOCUMENT CONTAINS COPYRIGHT MATERIAL AND TRADE SECRET INFORMATION BELONGING TO FALCON'S TREEHOUSE AND ITS CLIENT AS NOTED ON PACKAGE. ANY UNAUTHORIZED USE, DISCLOSURE, DISSEMINATION OR PUBLICATION OF ANY OF THE INFORMATION CONTAINED HEREIN MAY RESULT IN LIABILITY UNDER APPLICABLE LAWS.

JACKSON  
PLANETARIUM

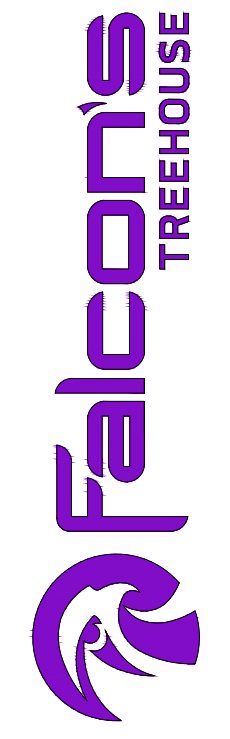
PHASE: 00% DESIGN DEVELOPMENT - SPACE STATION

DRAWING TITLE: FIRST FLOOR OVERALL PLAN

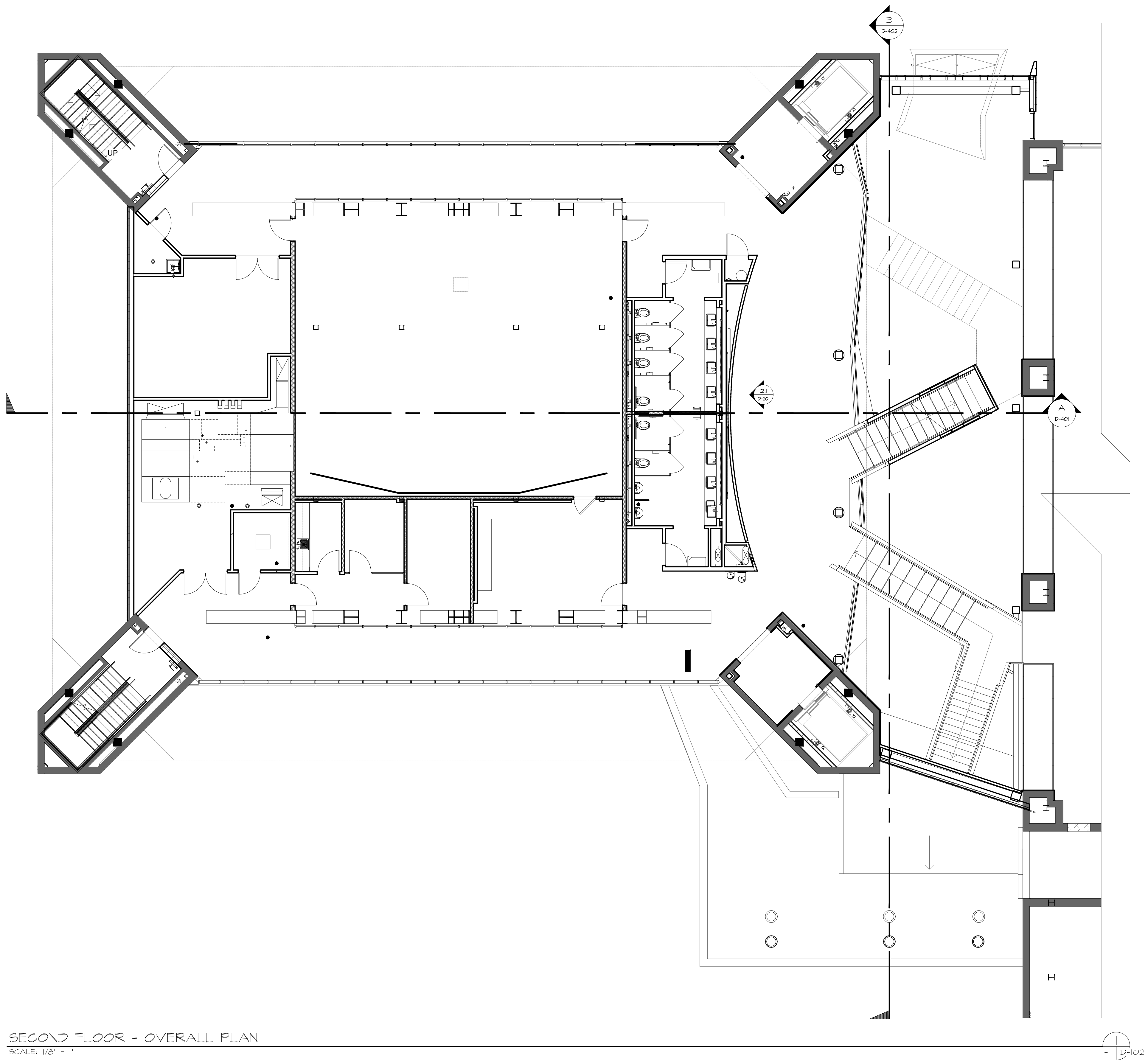
SCALE: AS NOTED

DATE: 01-31-2025

DWG NO.: D-101







SECOND FLOOR - OVERALL PLAN  
SCALE: 1/8" = 1'

RUSSELL C. DAVIS  
PLANETARIUM

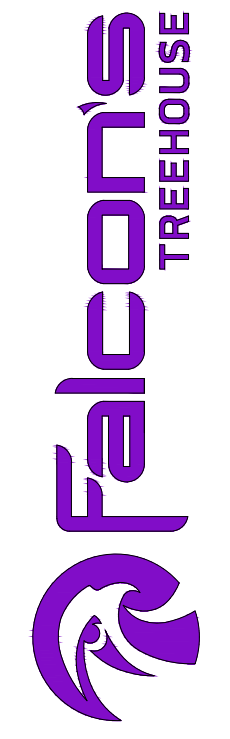
THIS DOCUMENT CONTAINS COPYRIGHT MATERIAL AND TRADE SECRET INFORMATION BELONGING TO FALCON'S TREEHOUSE AND ITS CLIENT AS NOTED ON PACKAGE. ANY UNAUTHORIZED USE, DISCLOSURE, DISSEMINATION OR PUBLICATION OF ANY OF THE INFORMATION CONTAINED HEREIN MAY RESULT IN LIABILITY UNDER APPLICABLE LAWS.

JACKSON  
PLANETARIUM

PHASE: 00% DESIGN DEVELOPMENT - SPACE STATION  
DRAWING TITLE:

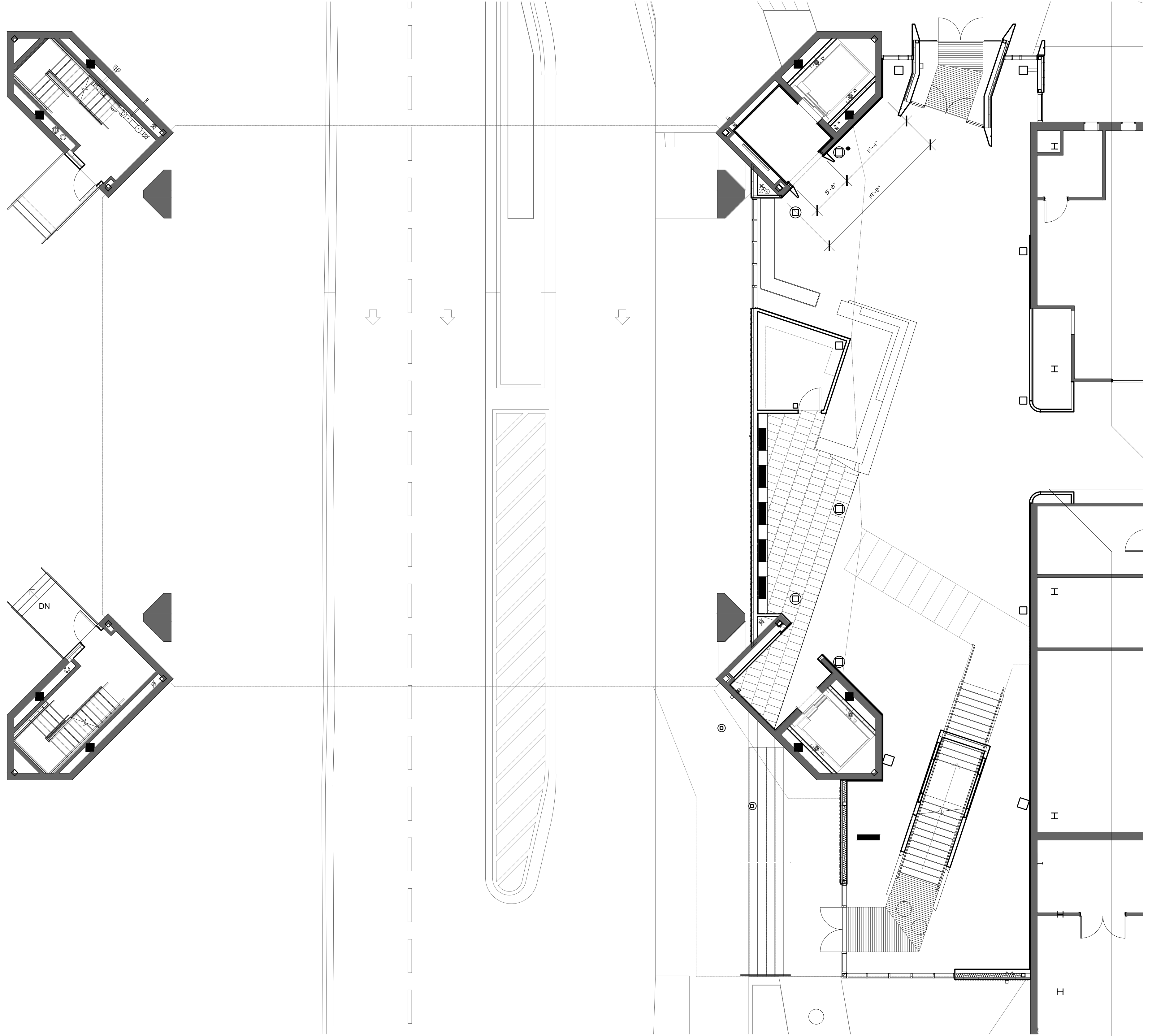
SECOND FLOOR  
OVERALL PLAN

SCALE: AS NOTED  
DATE: 01-31-2025  
DWS NO.: D-102









SPECIAL NOTE:  
PLEASE REFER TO ARCHITECTURAL PLANS FOR FINAL LAYOUT OF FIRST FLOOR DESIGN.

FIRST FLOOR - DIMENSIONED PLAN  
SCALE: 1/8" = 1'

D-III

RUSSELL C. DAVIS  
PLANETARIUM

THIS DOCUMENT CONTAINS COPYRIGHT MATERIAL AND TRADE SECRET INFORMATION BELONGING TO FALCON'S TREEHOUSE AND ITS CLIENT AS NOTED ON PACKAGE. ANY UNAUTHORIZED USE, DISCLOSURE, REPRODUCTION OR PUBLICATION OF ANY OF THE INFORMATION CONTAINED HEREIN MAY RESULT IN LIABILITY UNDER APPLICABLE LAWS.

JACKSON  
PLANETARIUM

PHASE: 00% DESIGN DEVELOPMENT - SPACE STATION  
DRAWING TITLE:

FIRST FLOOR  
DIMENSIONED PLAN

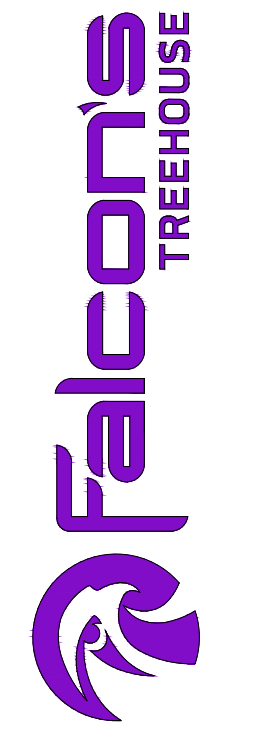
SCALE: AS NOTED

DATE:

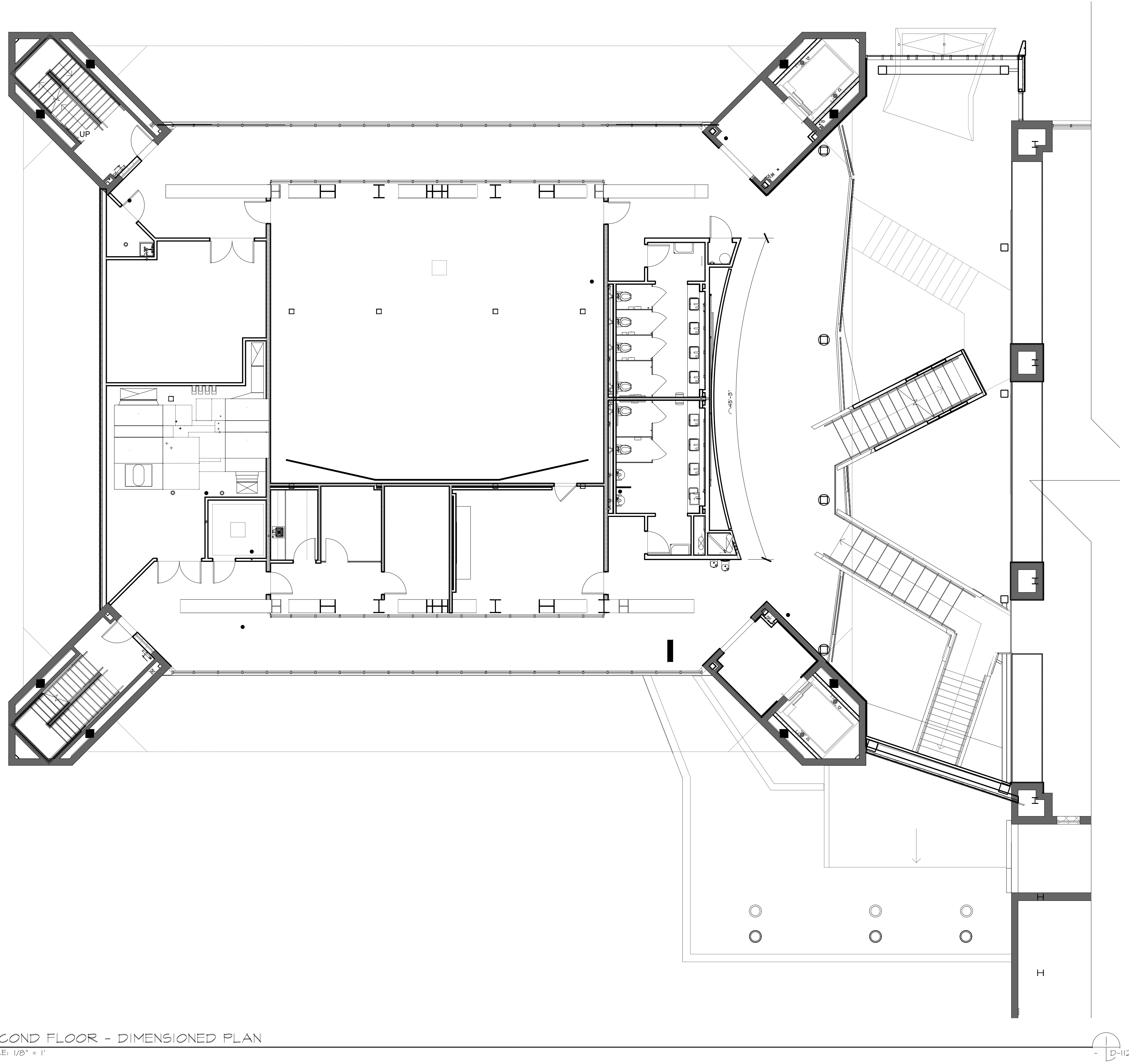
01-31-2025

DWG NO.:

D-III







SECOND FLOOR - DIMENSIONED PLAN  
SCALE: 1/8" = 1'

D-112

RUSSELL C. DAVIS  
PLANETARIUM

THIS DOCUMENT CONTAINS COPYRIGHT MATERIAL AND TRADE SECRET INFORMATION BELONGING TO FALCON'S TREEHOUSE AND ITS CLIENT AS NOTED ON PACKAGE. ANY UNAUTHORIZED USE, DISCLOSURE, DISSEMINATION OR PUBLICATION OF ANY OF THE INFORMATION CONTAINED HEREIN MAY RESULT IN LIABILITY UNDER APPLICABLE LAWS.

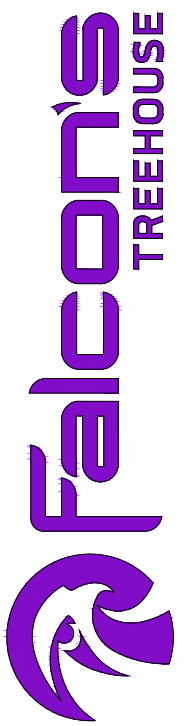
JACKSON  
PLANETARIUM

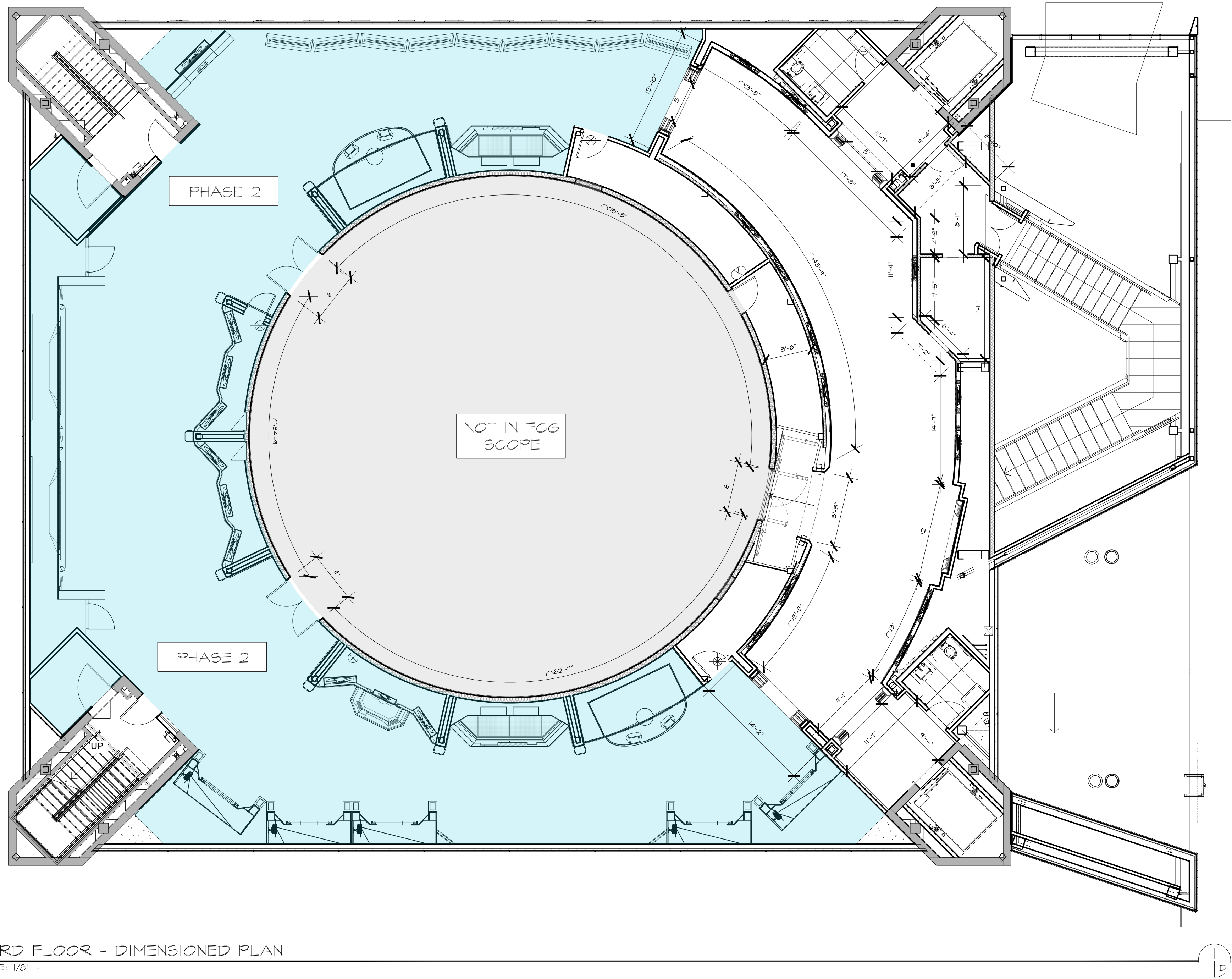
PHASE: 000% DESIGN DEVELOPMENT - SPACE STATION  
DRAWING TITLE:

SECOND FLOOR  
DIMENSIONED PLAN

SCALE: AS NOTED  
DATE: 01-31-2025  
DWS NO.:

D-112





THIRD FLOOR - DIMENSIONED PLAN  
SCALE: 1/8" = 1'

RUSSELL C. DAVIS  
PLANETARIUM

THIS DOCUMENT CONTAINS COPYRIGHT MATERIAL AND TRADE SECRET INFORMATION BELONGING TO FALCON'S TREEHOUSE AND ITS CLIENT AS NOTED ON PACKAGE. ANY UNAUTHORIZED USE, DISCLOSURE, DISSEMINATION OR PUBLICATION OF ANY OF THE INFORMATION CONTAINED HEREIN MAY RESULT IN LIABILITY UNDER APPLICABLE LAWS.

JACKSON  
PLANETARIUM

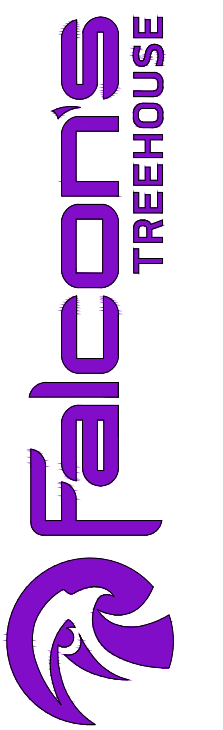
PHASE 1: 00% DESIGN DEVELOPMENT - SPACE STATION  
DRAWING TITLE:

THIRD FLOOR  
DIMENSIONED PLAN

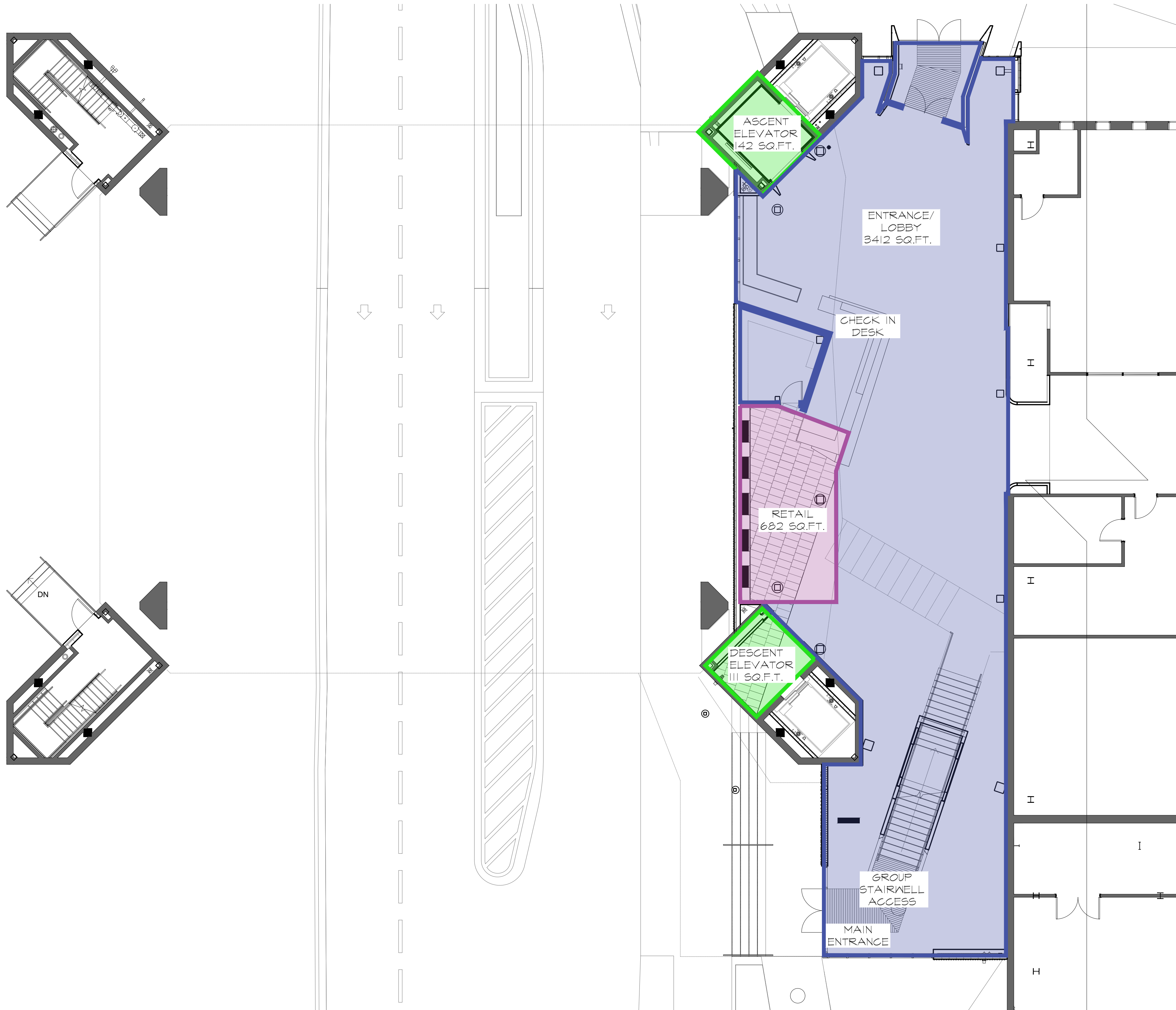
SCALE: AS NOTED

DATE: 01-31-2025

DWG NO.: D-113







**LEGEND**

	ASCENT/DESCENT ELEVATOR 253 SQ. FT.
	ENTRANCE/LOBBY - (BY OTHERS) 3412 SQ. FT.
	RETAIL - (BY OTHERS) 682 SQ. FT.

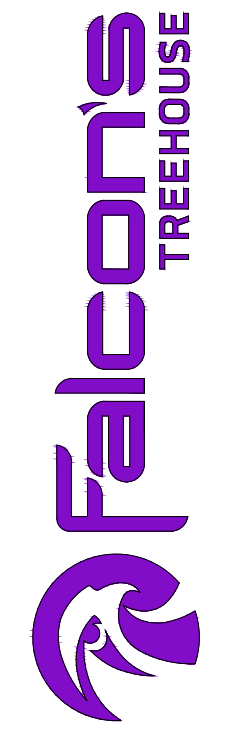
FIRST FLOOR - ZONE PLAN  
SCALE: 1/8" = 1'

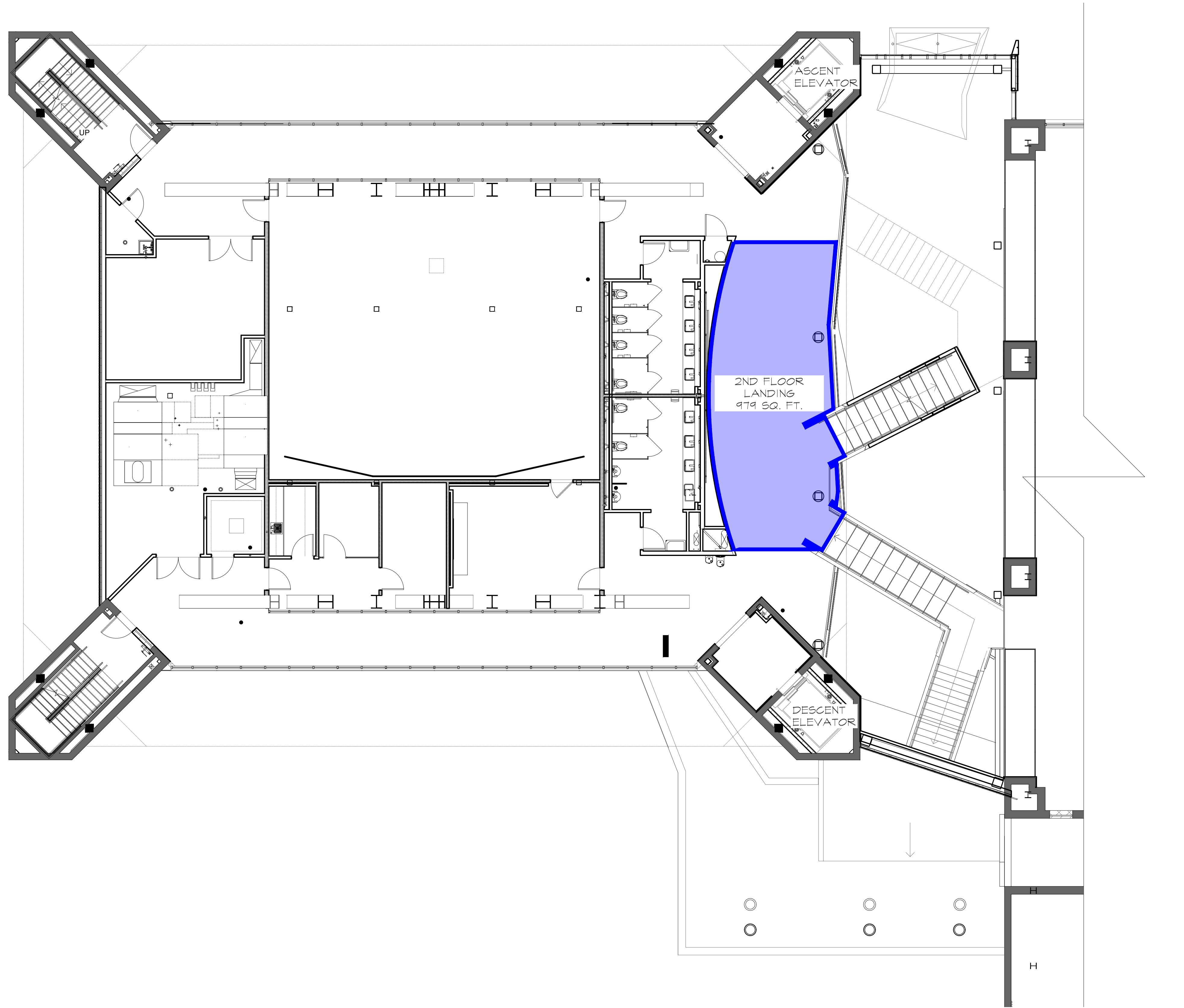
D-121

RUSSELL C. DAVIS  
PLANETARIUM

THIS DOCUMENT CONTAINS COPYRIGHT MATERIAL AND TRADE SECRET INFORMATION BELONGING TO FALCON'S TREEHOUSE AND ITS CLIENT AS NOTED ON PACKAGE. ANY UNAUTHORIZED USE, DISCLOSURE, DISSEMINATION OR PUBLICATION OF ANY OF THE INFORMATION CONTAINED HEREIN MAY RESULT IN LIABILITY UNDER APPLICABLE LAWS.

JACKSON PLANETARIUM	PHASE: 00% DESIGN DEVELOPMENT - SPACE STATION
FIRST FLOOR ZONE PLAN	DRAWING TITLE:
DATE: 01-31-2025	SCALE: AS NOTED
DWG NO.: D-121	DWG NO.:





**LEGEND**  
 ■ 2ND FLOOR LANDING  
 412 SQ. FT.

SECOND FLOOR - ZONE PLAN  
 SCALE: 1/8" = 1'

D-122

RUSSELL C. DAVIS  
 PLANETARIUM

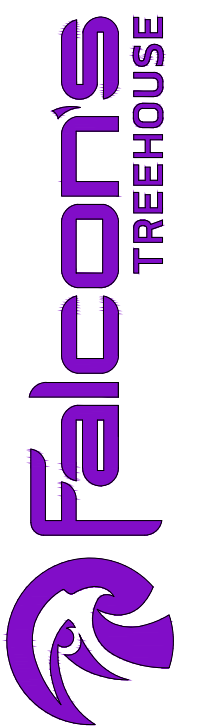
THIS DOCUMENT CONTAINS COPYRIGHT MATERIAL AND TRADE SECRET INFORMATION BELONGING TO FALCON'S TREEHOUSE AND ITS CLIENT AS NOTED ON PACKAGE. ANY UNAUTHORIZED USE, DISCLOSURE, DISSEMINATION OR PUBLICATION OF ANY OF THE INFORMATION CONTAINED HEREIN MAY RESULT IN LIABILITY UNDER APPLICABLE LAWS.

JACKSON  
 PLANETARIUM

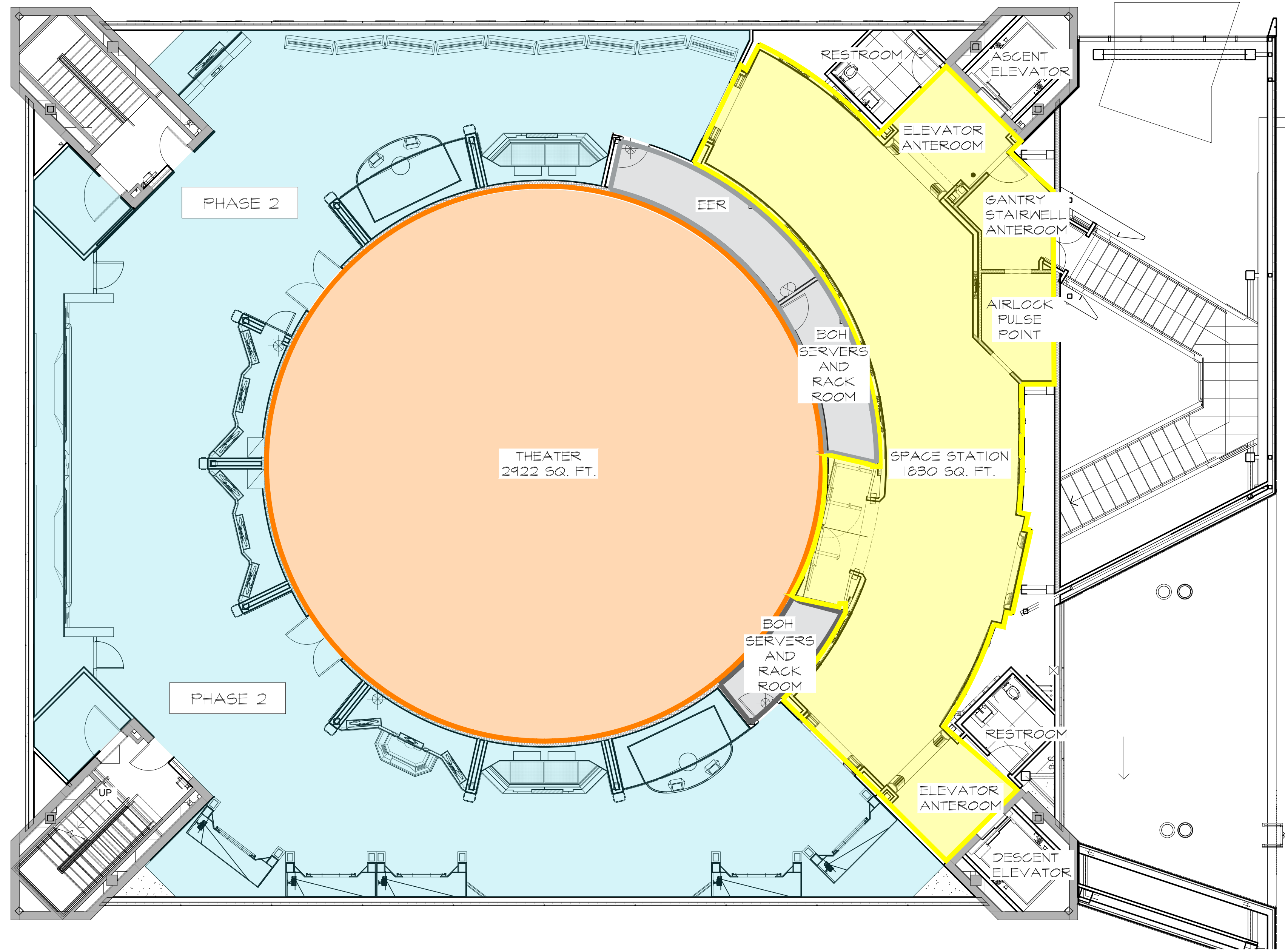
PHASE: 00% DESIGN DEVELOPMENT - SPACE STATION  
 DRAWING TITLE:

SECOND FLOOR  
 ZONE PLAN

SCALE: AS NOTED  
 DATE: 01-31-2025  
 DWG NO.: D-122







LEGEND	
<span style="display:inline-block; width:15px; height:15px; background-color:yellow;"></span>	SPACE STATION 1830 SQ. FT.
<span style="display:inline-block; width:15px; height:15px; background-color:orange;"></span>	THEATER 2422 SQ. FT.
<span style="display:inline-block; width:15px; height:15px; background-color:grey;"></span>	BOH 301 SQ. FT.

THIRD FLOOR - ZONE PLAN  
SCALE: 1/8" = 1'

D-123

RUSSELL C. DAVIS  
PLANETARIUM

THIS DOCUMENT CONTAINS COPYRIGHT MATERIAL AND TRADE SECRET INFORMATION BELONGING TO FALCON'S TREEHOUSE AND ITS CLIENT AS NOTED ON PACKAGE. ANY UNAUTHORIZED USE, DISCLOSURE, DISSEMINATION OR PUBLICATION OF ANY OF THE INFORMATION CONTAINED HEREIN MAY RESULT IN LIABILITY UNDER APPLICABLE LAWS.

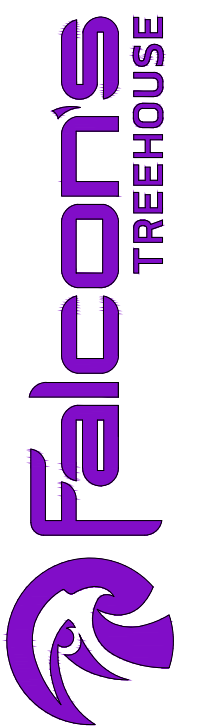
JACKSON  
PLANETARIUM

PHASE 1 00% DESIGN DEVELOPMENT - SPACE STATION  
DRAWING TITLE

THIRD FLOOR  
ZONE PLAN

SCALE AS NOTED DATE 01-31-2025

DWG NO. D-123





**LEGEND**

- PRIMARY TYP. GUEST FLOW
- EXIT GUEST FLOW
- GROUP FLOW
- EMERGENCY EGRESS

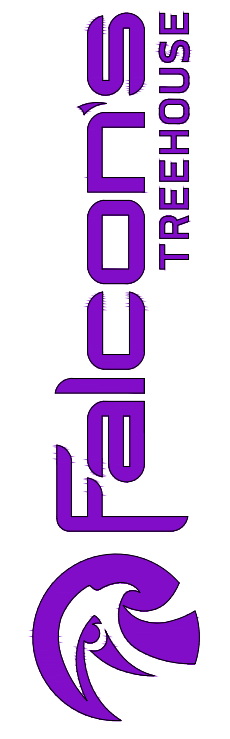
FIRST FLOOR - GUEST FLOW PLAN  
SCALE: 1/8" = 1'

D-131

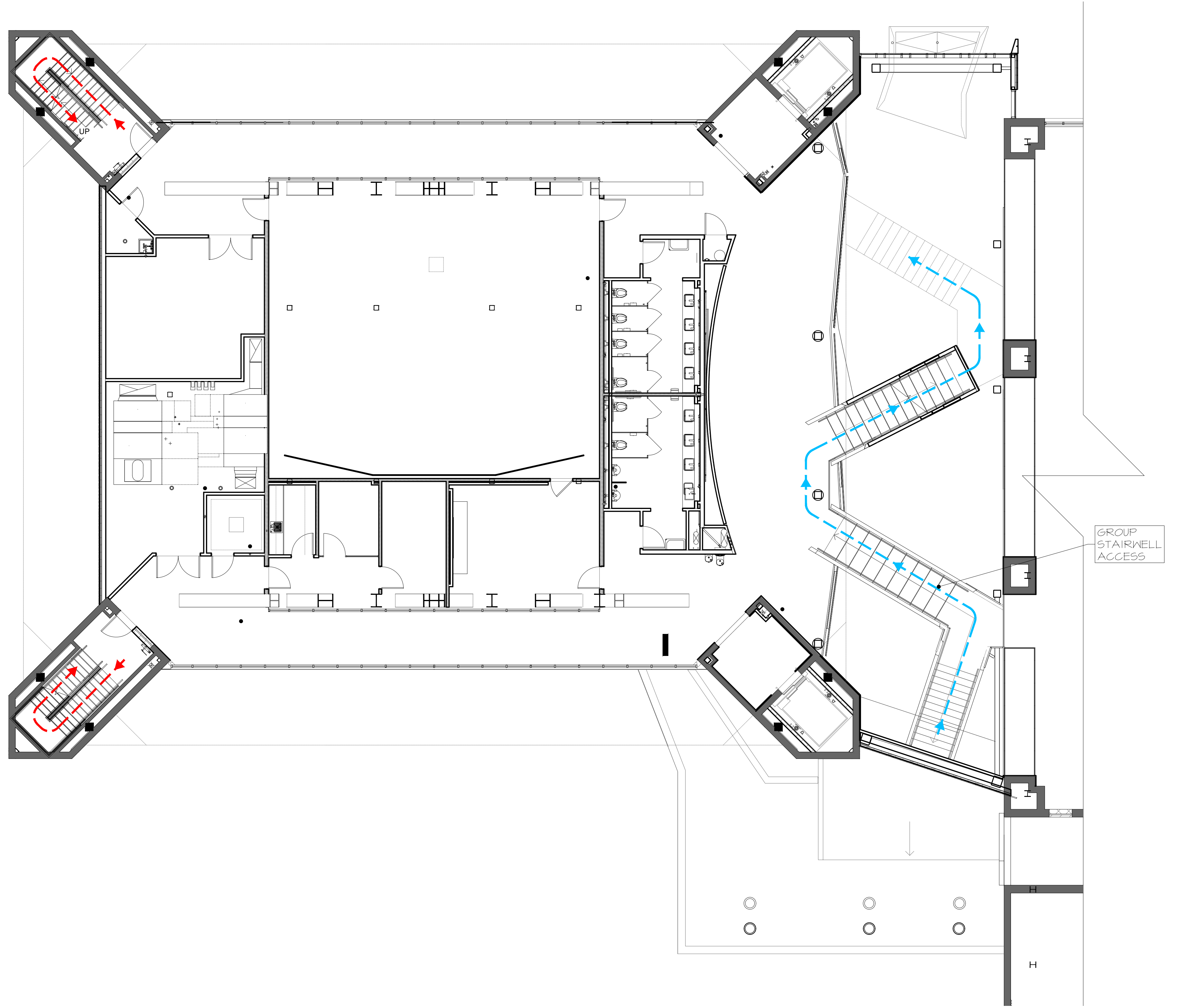
RUSSELL C. DAVIS  
PLANETARIUM

THIS DOCUMENT CONTAINS COPYRIGHT MATERIAL AND TRADE SECRET INFORMATION BELONGING TO FALCON'S TREEHOUSE AND ITS CLIENT AS NOTED ON PACKAGE. ANY UNAUTHORIZED USE, DISCLOSURE, DISSEMINATION OR PUBLICATION OF ANY OF THE INFORMATION CONTAINED HEREIN MAY RESULT IN LIABILITY UNDER APPLICABLE LAWS.

JACKSON PLANETARIUM		PHASE: 00% DESIGN DEVELOPMENT - SPACE STATION
FIRST FLOOR GUEST FLOW PLAN		DRAWING TITLE:
SCALE: AS NOTED	DATE: 01-31-2025	
DWG NO.: D-131		







**LEGEND**

- PRIMARY TYP. GUEST FLOW
- EXIT GUEST FLOW
- GROUP FLOW
- EMERGENCY EGRESS

GROUP STAIRWELL ACCESS

SECOND FLOOR - GUEST FLOW PLAN  
SCALE: 1/8" = 1'

D-132

RUSSELL C. DAVIS  
PLANETARIUM

THIS DOCUMENT CONTAINS COPYRIGHT MATERIAL AND TRADE SECRET INFORMATION BELONGING TO FALCON'S TREEHOUSE AND ITS CLIENT AS NOTED ON PACKAGE. ANY UNAUTHORIZED USE, DISCLOSURE, DISSEMINATION OR PUBLICATION OF ANY OF THE INFORMATION CONTAINED HEREIN MAY RESULT IN LIABILITY UNDER APPLICABLE LAWS.

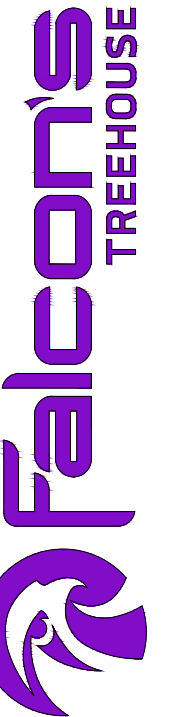
JACKSON  
PLANETARIUM

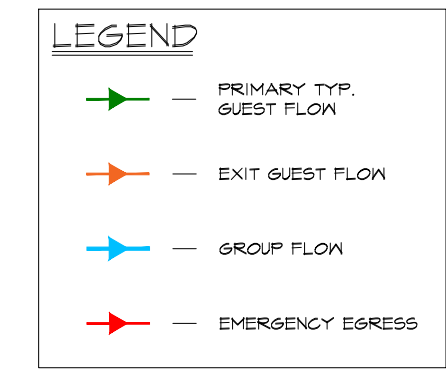
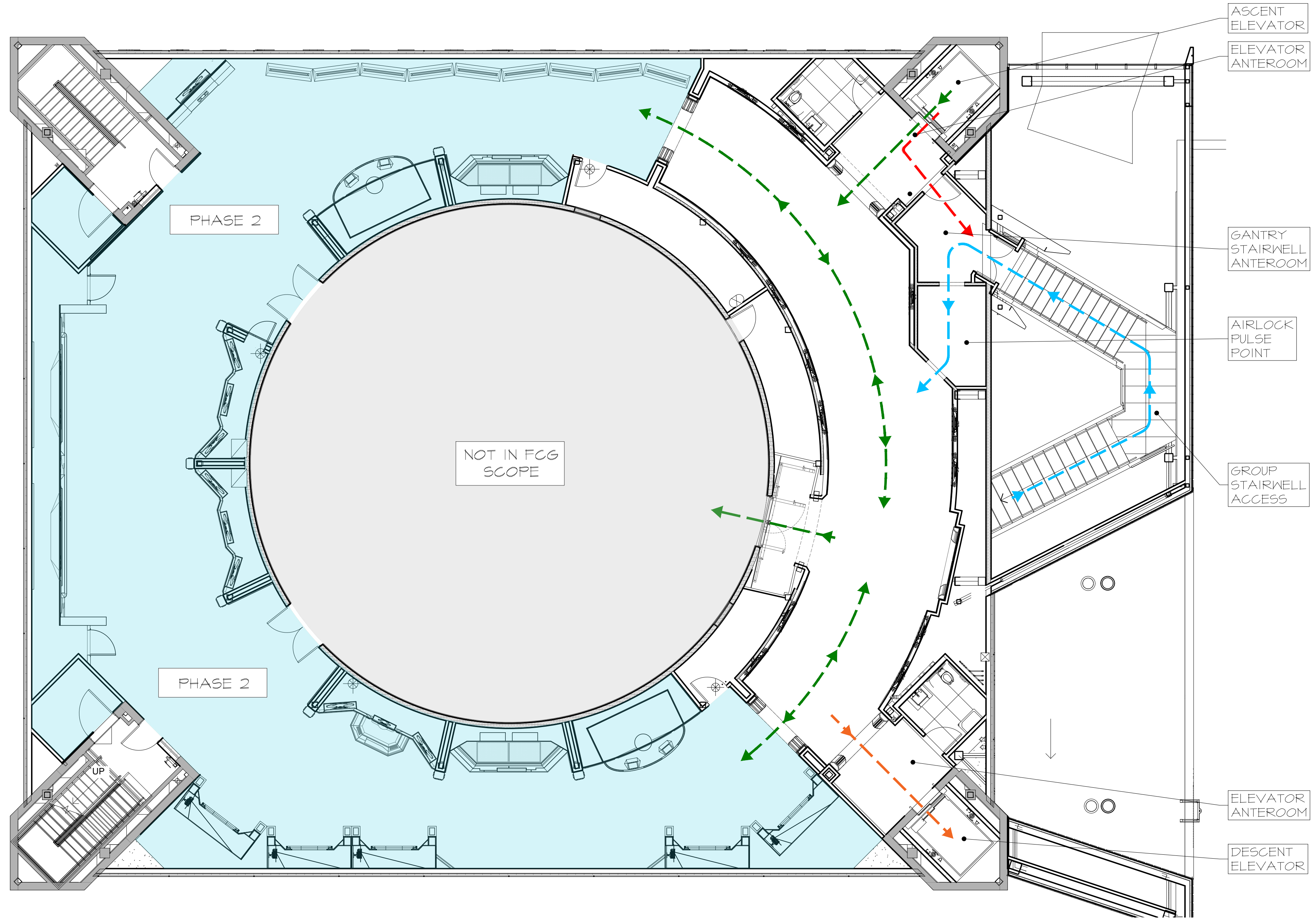
PHASE: 00% DESIGN DEVELOPMENT - SPACE STATION  
DRAWING TITLE:

SECOND FLOOR  
GUEST FLOW PLAN

SCALE: AS NOTED  
DATE: 01-31-2025  
DWS NO.:

D-132





THIRD FLOOR - GUEST FLOW PLAN  
SCALE: 1/8" = 1'

D-133

RUSSELL C. DAVIS  
PLANETARIUM

THIS DOCUMENT CONTAINS COPYRIGHT MATERIAL AND TRADE SECRET INFORMATION BELONGING TO FALCON'S TREEHOUSE AND ITS CLIENT AS NOTED ON PACKAGE. ANY UNAUTHORIZED USE, DISCLOSURE, DISSEMINATION OR PUBLICATION OF ANY OF THE INFORMATION CONTAINED HEREIN MAY RESULT IN LIABILITY UNDER APPLICABLE LAWS.

JACKSON  
PLANETARIUM

PHASE 1: 00% DESIGN DEVELOPMENT - SPACE STATION  
DRAWING TITLE:

THIRD FLOOR  
GUEST FLOW PLAN

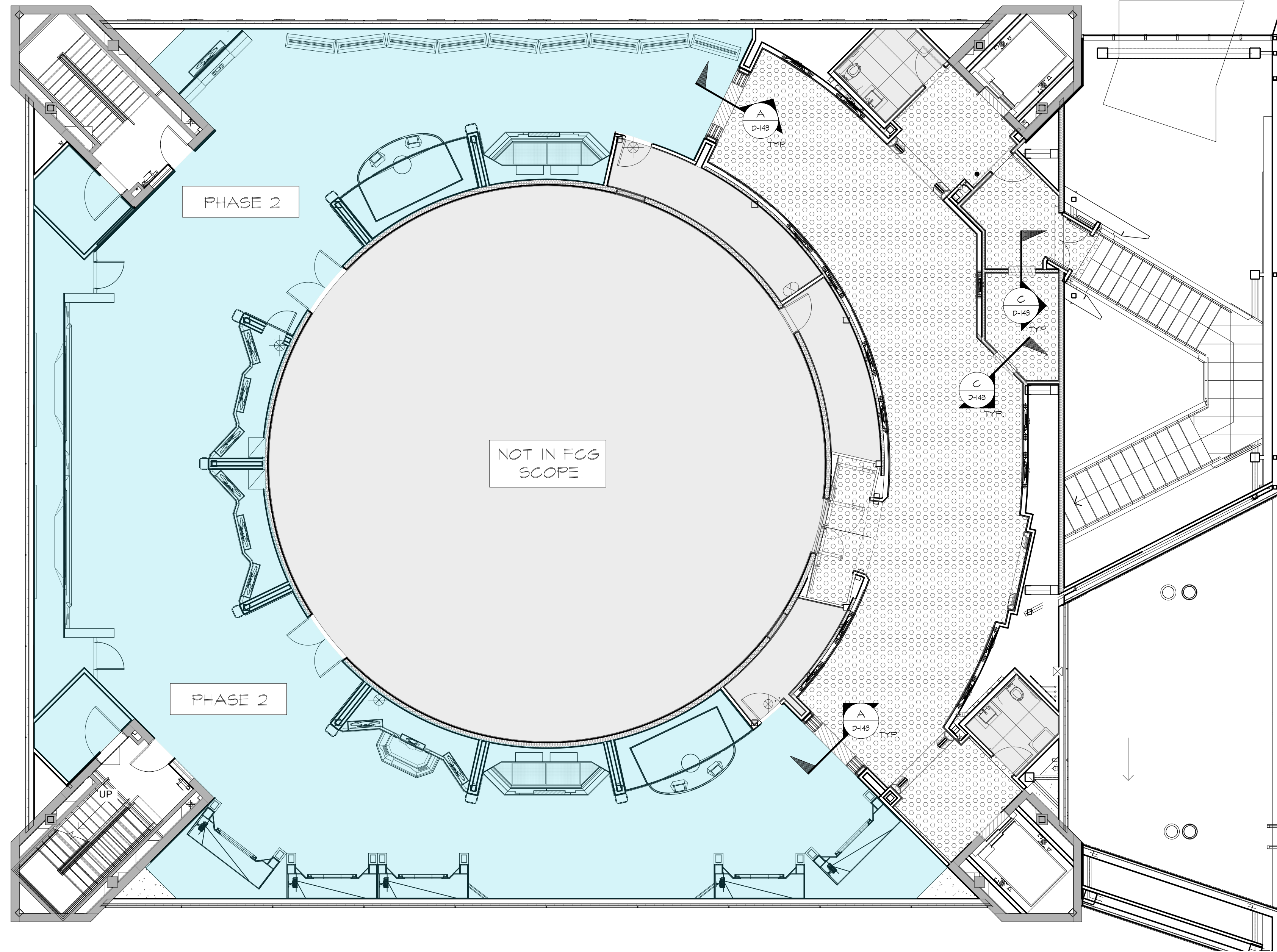
SCALE: AS NOTED

DATE: 01-31-2025

DWG NO.: D-133

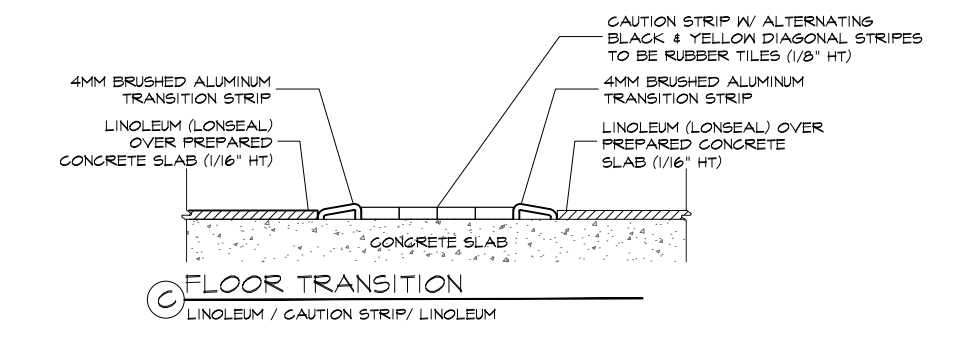
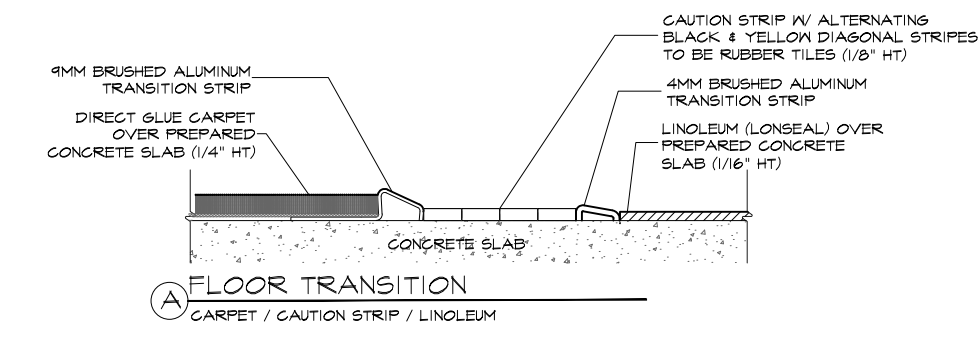
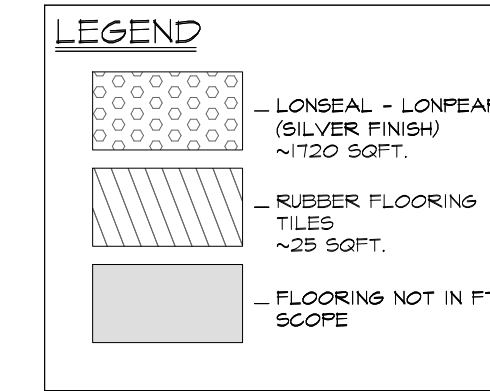






THIRD FLOOR - FLOOR FINISH PLAN  
SCALE: 1/8" = 1'

D-143

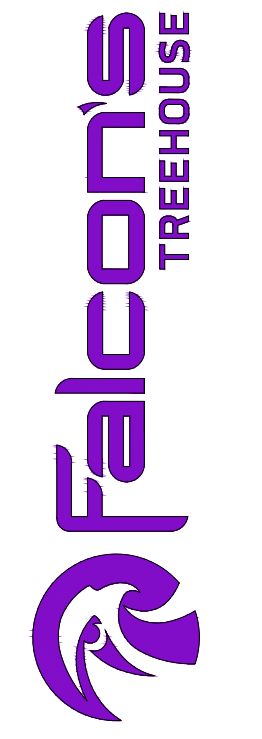


FLOOR FINISH TRANSITION DETAILS  
SCALE: 6" = 1' D-143

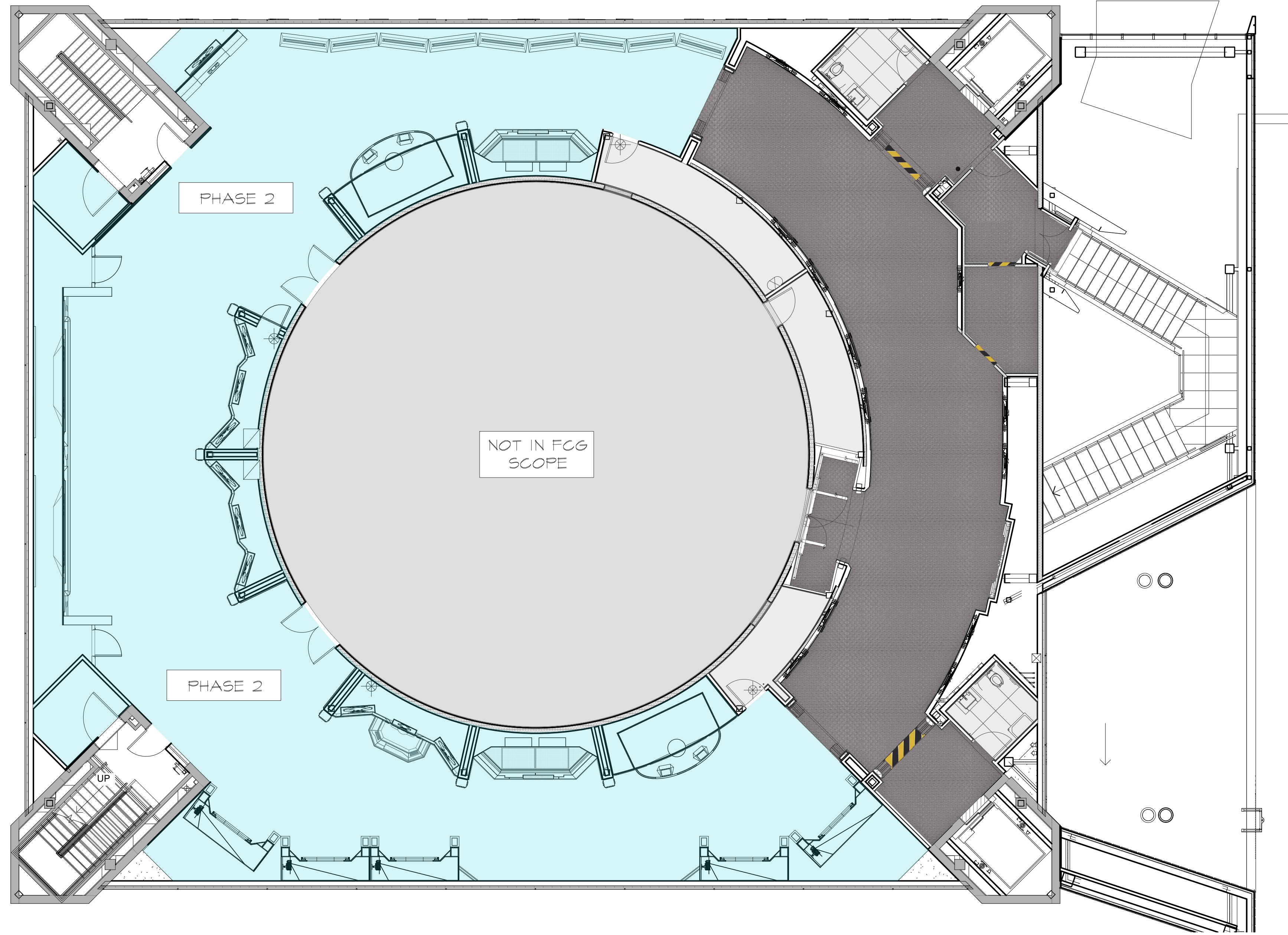
RUSSELL C. DAVIS  
PLANETARIUM

THIS DOCUMENT CONTAINS COPYRIGHT MATERIAL AND TRADE SECRET INFORMATION BELONGING TO FALCONS TREEHOUSE AND ITS CLIENT AS NOTED ON PACKAGE. ANY UNAUTHORIZED USE, DISCLOSURE, DISSEMINATION OR DUPLICATION OF ANY OF THE INFORMATION CONTAINED HEREIN MAY RESULT IN LIABILITY UNDER APPLICABLE LAWS.

JACKSON PLANETARIUM		PHASE: 000% DESIGN DEVELOPMENT - SPACE STATION
THIRD FLOOR FLOOR FINISH PLAN		DRAWING TITLE:
SCALE: AS NOTED	DATE: 01-31-2025	DWG NO.: D-143







**LEGEND**

	LONREAL - LONPEARL (SILVER FINISH) ~1720 SOFT.
	RUBBER FLOORING TILES ~25 SOFT.
	FLOORING NOT IN FTH SCOPE

THIRD FLOOR - ILLUSTRATIVE FLOOR FINISH PLAN  
SCALE: 1/8" = 1'

D-144

RUSSELL C. DAVIS  
PLANETARIUM

THIS DOCUMENT CONTAINS COPYRIGHT MATERIAL AND TRADE SECRET INFORMATION BELONGING TO FALCON'S TREEHOUSE AND ITS CLIENT AS NOTED ON PACKAGE. ANY UNAUTHORIZED USE, DISCLOSURE, DISSEMINATION OR PUBLICATION OF ANY OF THE INFORMATION CONTAINED HEREIN MAY RESULT IN LIABILITY UNDER APPLICABLE LAWS.

JACKSON  
PLANETARIUM

PHASE 1 00% DESIGN DEVELOPMENT - SPACE STATION  
DRAWING TITLE

THIRD FLOOR  
ILLUSTRATIVE FLOOR FINISH PLAN

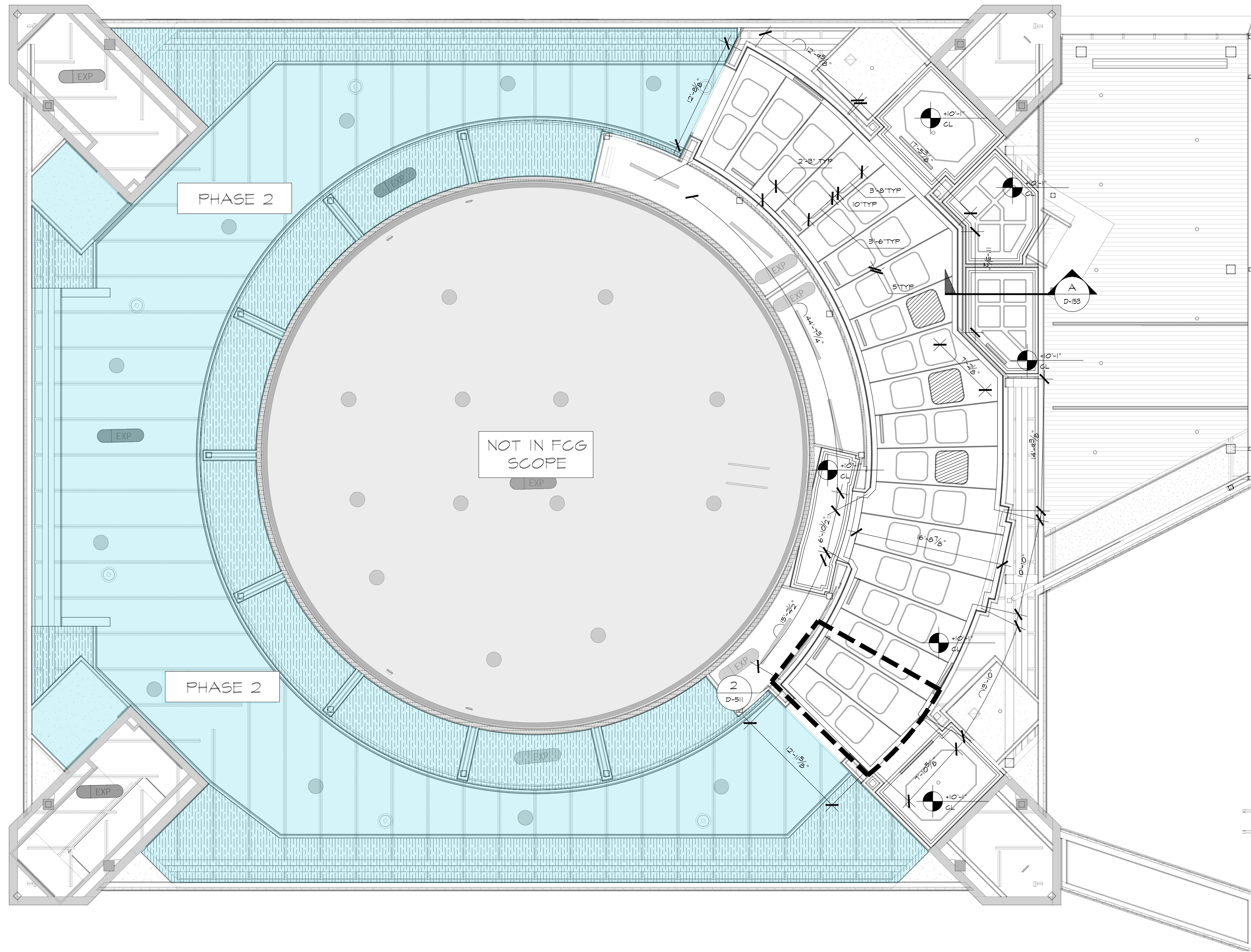
SCALE AS NOTED

DATE 01-31-2025

DWG NO. D-144

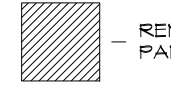


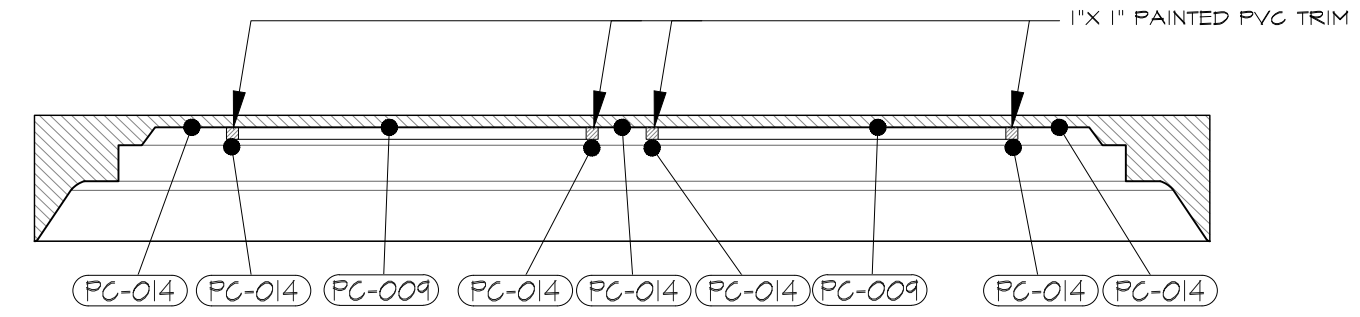




SPACE STATION - REFLECTED CEILING PLAN  
SCALE: 1/8" = 1'

D-153

**LEGEND**  
 - REMOVABLE VAV PANELS



SPACE STATION - TYP. TRAYCEILING DETAIL  
SCALE: 1/2" = 1'

FG-009 - SW7015 WEB GRAY

FG-014 - SW6254 LAZY GRAY

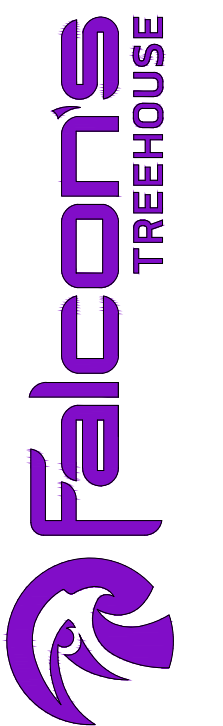
RUSSELL C. DAVIS  
**PLANETARIUM**

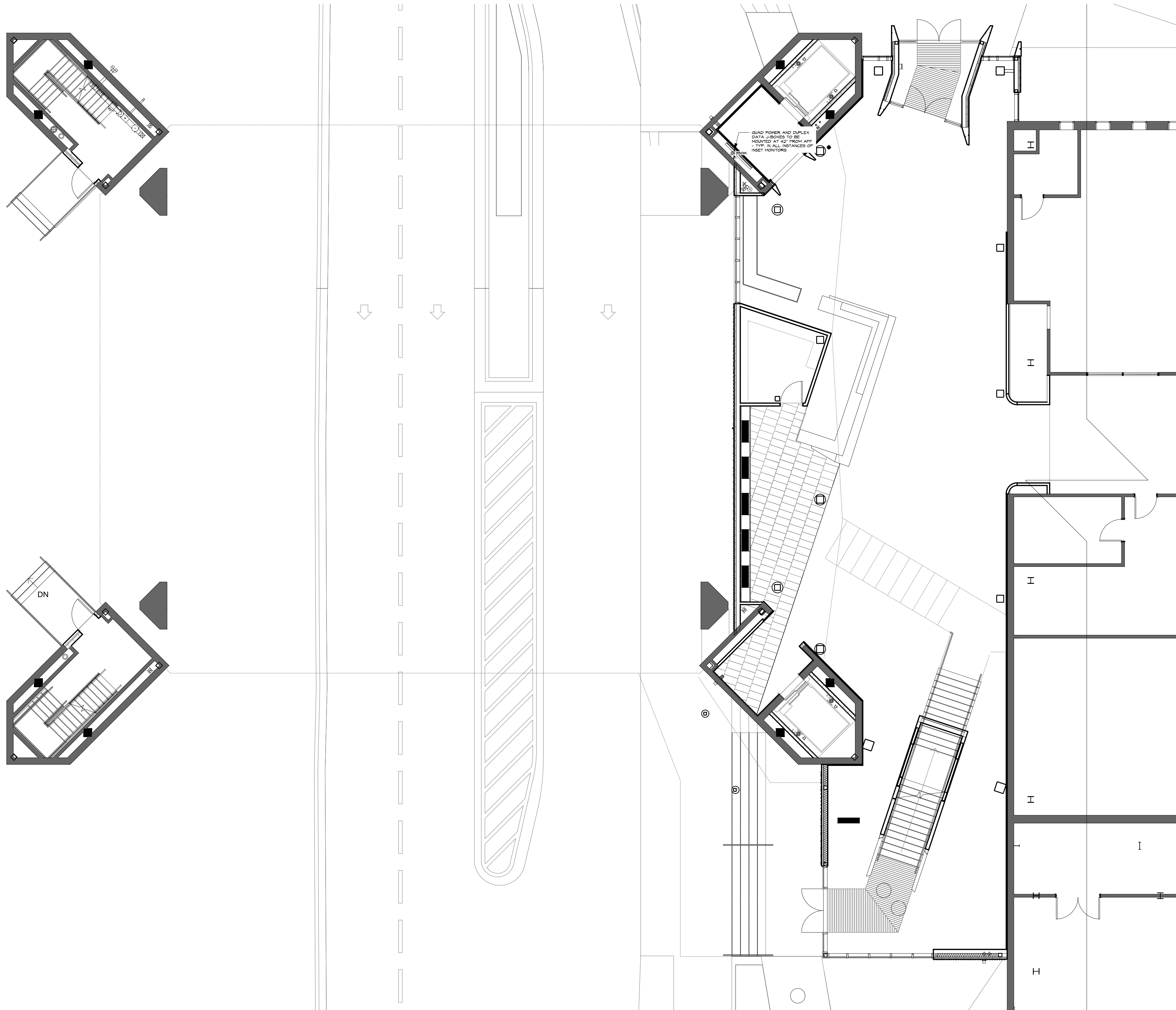
THIS DOCUMENT CONTAINS COPYRIGHT MATERIAL AND TRADE SECRET INFORMATION BELONGING TO FALCON'S TREEHOUSE AND ITS CLIENT AS NOTED ON PACKAGE. ANY UNAUTHORIZED USE, DISCLOSURE, DISSEMINATION OR PUBLICATION OF ANY OF THE INFORMATION CONTAINED HEREIN MAY RESULT IN LIABILITY UNDER APPLICABLE LAWS.

JACKSON  
 PLANETARIUM

PHASE 1 - 00% DESIGN DEVELOPMENT - SPACE STATION  
 DRAWING TITLE  
 THIRD FLOOR  
 REFLECTED CEILING PLAN

SCALE: AS NOTED  
 DATE: 01-31-2025  
 DWG NO.: D-153





**LEGEND**

- ⊕ - WALL MOUNTED DUPLEX POWER OUTLET
- ⊕ - WALL MOUNTED QUADRUPLUX POWER OUTLET
- ▲ - WALL MOUNTED DATA PORT
- ⊕ - WALL MOUNTED JUNCTION BOX
- ⊕ - CEILING MOUNTED JUNCTION BOX
- Ⓛ - ELECTRIC DOOR OPENER

QUAD POWER AND DUPLEX DATA SYMBOLS TO BE MOUNTED AT 42" FROM TOP OF WALL INSTANCES OF INSET MONITORS

FIRST FLOOR - POWER & DATA PLAN  
SCALE: 1/8" = 1'

D-161

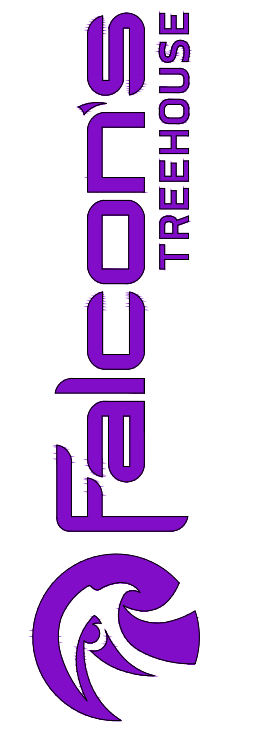
**GENERAL NOTES**

- SEE D-161 FOR CABLE ROUTING INFORMATION AND CONSUMPTION VALUES

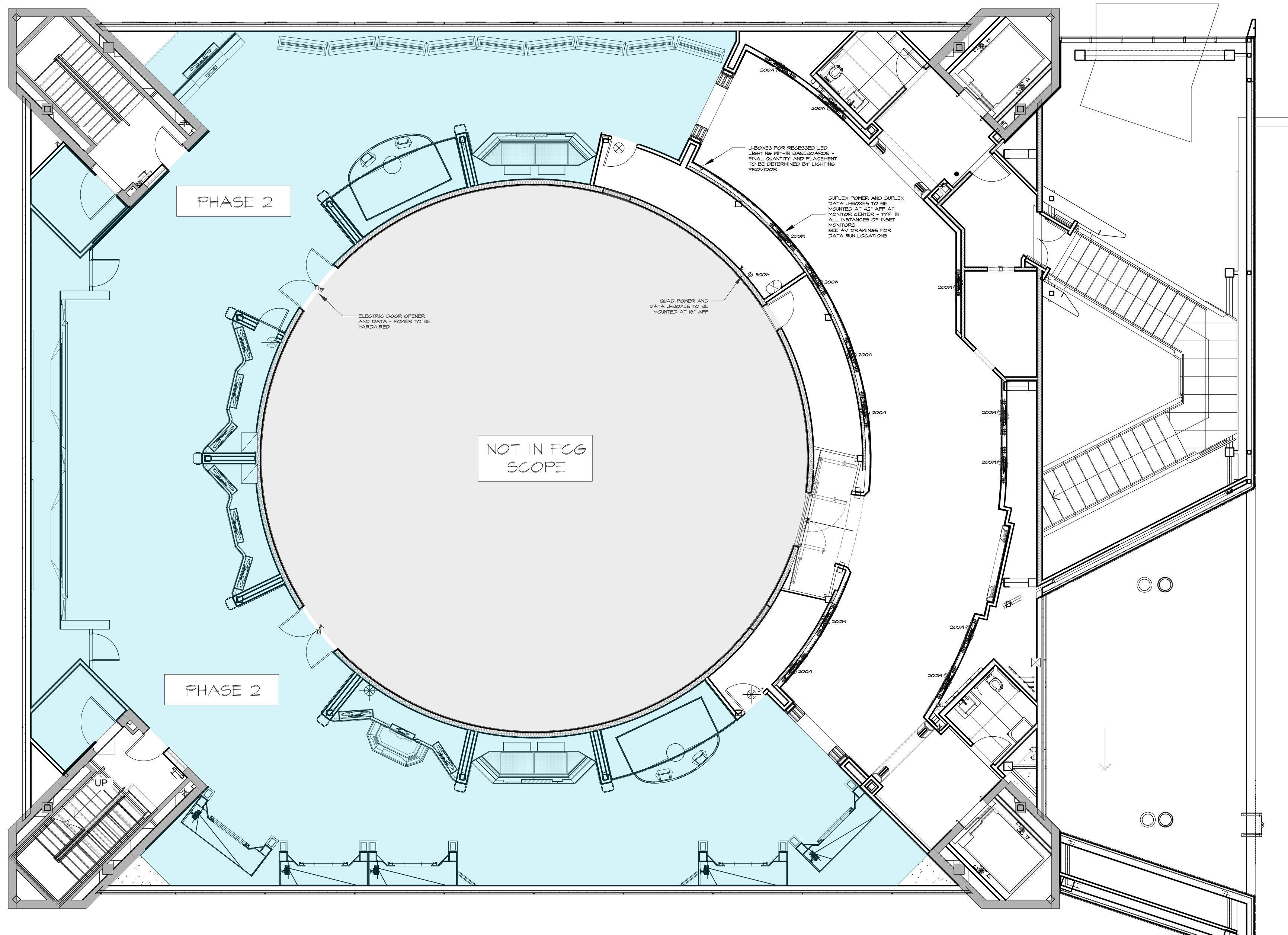
RUSSELL C. DAVIS  
PLANETARIUM

THIS DOCUMENT CONTAINS COPYRIGHT MATERIAL AND TRADE SECRET INFORMATION BELONGING TO FALCON'S TREEHOUSE AND ITS CLIENT AS NOTED ON PACKAGE. ANY UNAUTHORIZED USE, DISCLOSURE, DISSEMINATION OR DUPLICATION OF ANY OF THE INFORMATION CONTAINED HEREIN MAY RESULT IN LIABILITY UNDER APPLICABLE LAWS.

JACKSON PLANETARIUM		PHASE: 00% DESIGN DEVELOPMENT - SPACE STATION
FIRST FLOOR POWER & DATA PLAN		DRAWING TITLE:
SCALE: AS NOTED	DATE: 01-31-2025	
DWG NO.: D-161		







**LEGEND**

- ⊕ - WALL MOUNTED DUPLX POWER OUTLET
- ⊕ - WALL MOUNTED QUADRUPLX POWER OUTLET
- ▲ - WALL MOUNTED DATA PORT
- ⊕ - WALL MOUNTED JUNCTION BOX
- ⊕ - CEILING MOUNTED JUNCTION BOX
- ⊕ - ELECTRIC DOOR OPERATOR

THIRD FLOOR - POWER & DATA PLAN  
 SCALE: 1/8" = 1'

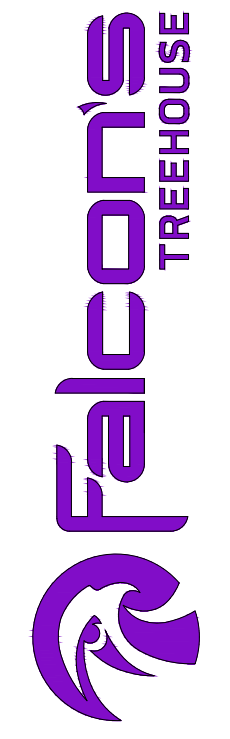
D-163

**GENERAL NOTES**  
 SEE D-191 FOR CABLE ROUTING INFORMATION AND CONSUMPTION VALUES

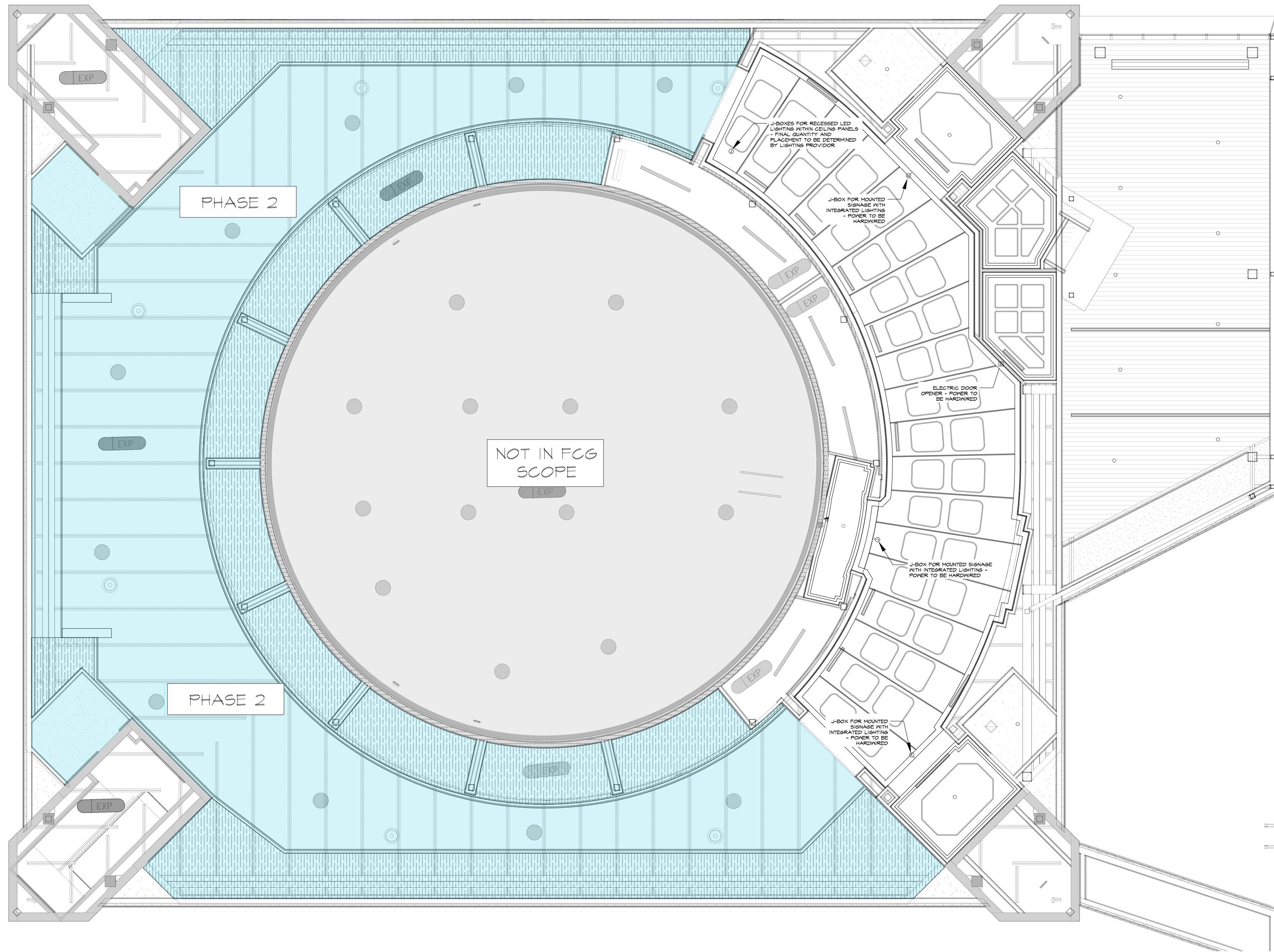
**RUSSELL C. DAVIS  
 PLANETARIUM**

THIS DOCUMENT CONTAINS COPYRIGHT MATERIAL AND TRADE SECRET INFORMATION BELONGING TO FALCON'S TREEHOUSE AND ITS CLIENT AS NOTED ON PACKAGE. ANY UNAUTHORIZED USE, DISCLOSURE, DISSEMINATION OR DUPLICATION OF ANY OF THE INFORMATION CONTAINED HEREIN MAY RESULT IN LIABILITY UNDER APPLICABLE LAWS.

JACKSON PLANETARIUM	PHASE 1 - 000% DESIGN DEVELOPMENT - SPACE STATION	DATE: 01-31-2025	D-163
THIRD FLOOR POWER & DATA PLAN	DRAWING TITLE	SCALE: AS NOTED	







**LEGEND**

- ⊕ - WALL MOUNTED DUPLEX POWER OUTLET
- ⊕ - WALL MOUNTED QUADRUPLUX POWER OUTLET
- ▲ - WALL MOUNTED DATA PORT
- ⊕ - WALL MOUNTED JUNCTION BOX
- ⊕ - CEILING MOUNTED JUNCTION BOX
- D - ELECTRIC DOOR OPENER

RUSSELL C. DAVIS  
PLANETARIUM

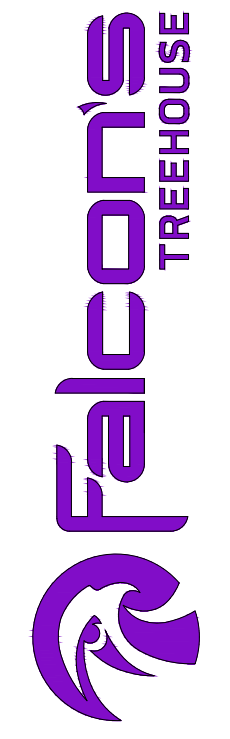
THIS DOCUMENT CONTAINS COPYRIGHT MATERIAL AND TRADE SECRET INFORMATION BELONGING TO FALCON'S TREEHOUSE AND ITS CLIENT AS NOTED ON PACKAGE. ANY UNAUTHORIZED USE, DISCLOSURE, DISSEMINATION OR DUPLICATION OF ANY OF THE INFORMATION CONTAINED HEREIN MAY RESULT IN LIABILITY UNDER APPLICABLE LAWS.

THIRD FLOOR - POWER & DATA RCP  
SCALE: 1/8" = 1'

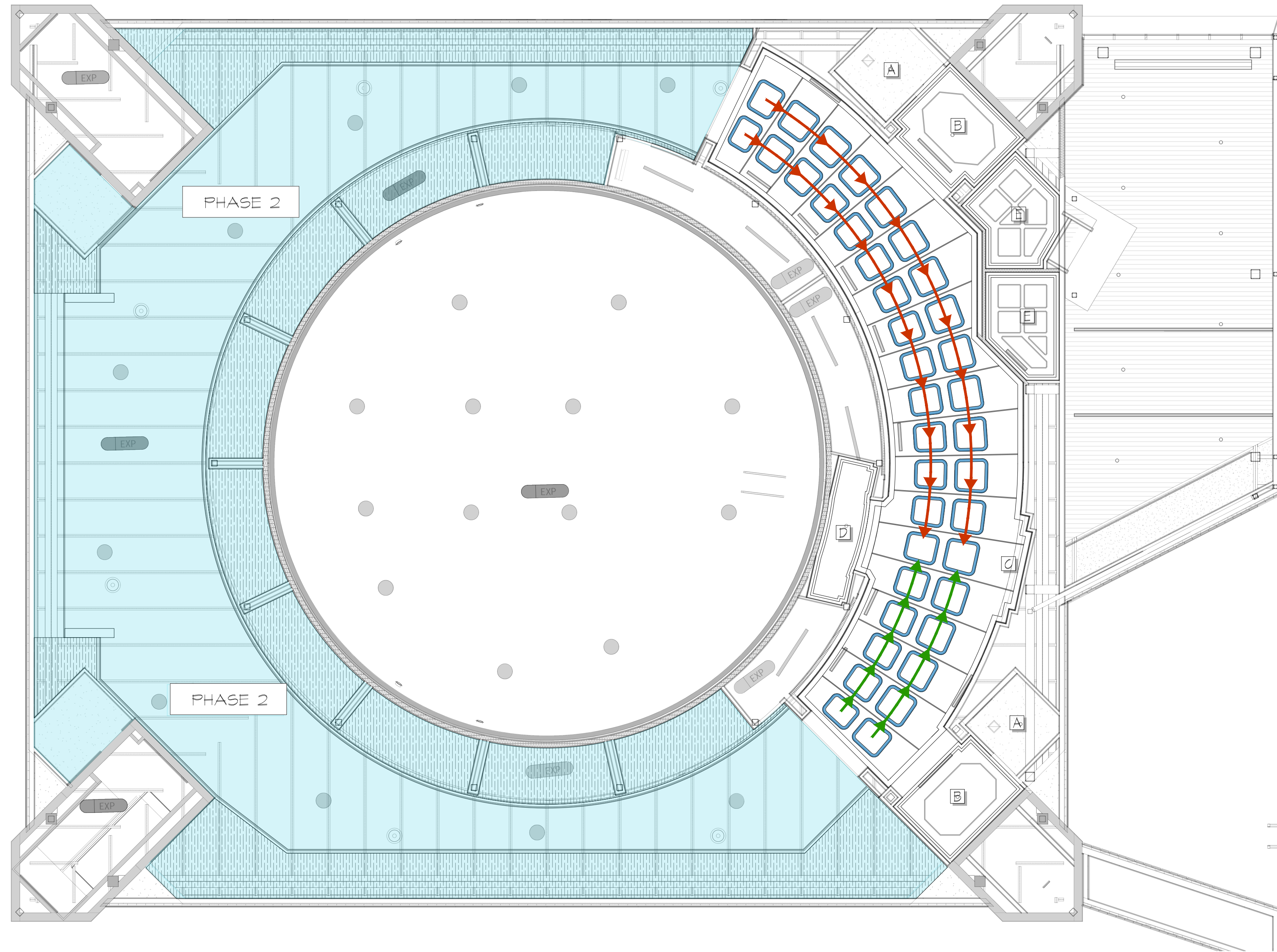
D-173

**GENERAL NOTES**  
SEE D-191 FOR CABLE ROUTING INFORMATION AND CONSUMPTION VALUES

JACKSON PLANETARIUM	PHASE: 000R DESIGN DEVELOPMENT - SPACE STATION
THIRD FLOOR POWER & DATA RCP	DRAWING TITLE:
SCALE: AS NOTED	DATE: 01-31-2025
DWG NO.: D-173	







**LIGHTING SHOW NARRATIVE:**

LED LIGHTING TO BE EMBEDDED WITHIN CEILING PANELS (SEE DETAIL ON SHEET D-505). LIGHTING TO BE LOGOOK (OR RGB EQUIVALENT) AND DISPLAYED AT A CONSTANT INTENSITY LEVEL. PANELS TO BE ADDRESSED INDIVIDUALLY FOR DISCRETE CONTROL OF EACH PANEL.

WHEN THE THEATER IS PREPARING TO OPEN FOR THE NEXT SHOWING, ALL LED LIGHTING TO LOWER BY 50%. ONCE DIMMED, THE CEILING PANELS TRAVEL IN A PULSED CHASE IN THE DIRECTION OF THE ARROWS BY INCREASING IN INTENSITY BY 50%. TOWARDS THE THEATER ENTRANCE DOORS, PATH B (MARKED BY THE GREEN ARROWS) SHOULD TRAVEL AT APPROXIMATELY HALF THE SPEED OF PATH A (MARKED BY THE RED ARROWS). THE END OF BOTH CHASE PATHS SHOULD MEET AT THE SAME SET OF CEILING PANELS AT THE EXACT SAME TIME. PULSED CHASE SEQUENCE IS TO REPEAT FOR APPROXIMATELY 30-60 SECONDS UNTIL THEATER DOORS CLOSE.

**LIGHTING DESIGN NOTES:**

LIGHTING DESIGNATIONS SHOWN AS GENERAL RECOMMENDATIONS BASED ON CURRENT DESIGN INTENT. ALL LIGHTING TO BE CONNECTED TO DMX CONTROLLER OR SHOW DIMMER PANEL TO ALLOW FOR DISCRETE CONTROL.

LIGHTING DESIGNATIONS SHOWN AS GENERAL RECOMMENDATIONS BASED ON CURRENT DESIGN INTENT. ALL LIGHTING TO BE CONNECTED TO DMX CONTROLLER OR SHOW DIMMER PANEL TO ALLOW FOR DISCRETE CONTROL.

IT IS RECOMMENDED THAT THE FINAL LOCATIONS FOR ALL LIGHTING FIXTURES, SUPPORTS, POWER, DATA, AND CABLE RUNS ARE REVIEWED IN-DEPTH WITH INTENDED LIGHTING DESIGNER/PROVIDER TO ENSURE LIGHTING REQUIREMENTS ARE MET. FINAL QUANTITY, LOCATION, POWER REQUIREMENTS, FIXTURE SPECIFICATIONS, AND REQUIRED CABLING ALLOCATIONS TO BE PROVIDED BY LIGHTING DESIGNER/PROVIDER.

GENERAL GUEST CIRCULATION WILL REQUIRE ADDITIONAL LIGHTING BY WAY OF 4000K WASHES TO PROVIDE GENERAL ILLUMINATION - LIGHTS TO BE CONNECTED TO DIMMER OR DMX CONTROLLER FOR LEVEL CONTROL.

NOTE THAT THIS PLAN DOES NOT SHOW LIGHTING INTEGRATED INTO ELEVATIONS AND DETAILED BASES/MILLWORK - REFER TO DETAILED DRAWINGS FOR ADDITIONAL INTEGRATED LIGHTING ELEMENTS.

**LEGEND**

- LOCATION OF LED STRIP LIGHTING
- A - GENERAL RESTROOM ILLUMINATION - FIXTURES/SCENES SHOULD BE SPECIFIED TO MATCH/EXTEND THE THEME OF THE SPACE STATION AESTHETICALLY
- B - ELEVATOR VESTIBULE WITH FOUR EVENLY DISTRIBUTED RECESSED LED LIGHTING IN 4000K OR SIMILAR
- C - FINLIGHT OR SIMILAR REQUIRED FOR ILLUMINATION FAUX DOORWAY DETAIL
- D - THEATER ENTRY LIGHTING - TWO RECESSED LED LIGHTS IN 4000K OR SIMILAR - CONTROL TO MATCH SHOW CONTROLLED DOOR OPENINGS FOR GUEST ACCESS TO THEATER
- E - STAIRWAY ACCESS AND AIRLOCK WITH FOUR EVENLY DISTRIBUTED RECESSED LED LIGHTING IN 4000K OR SIMILAR IN EACH SPACE

THIRD FLOOR - LIGHTING CONTROL INTENT  
SCALE: 1/8" = 1'

D-183

RUSSELL C. DAVIS  
PLANETARIUM

THIS DOCUMENT CONTAINS COPYRIGHT MATERIAL AND TRADE SECRET INFORMATION BELONGING TO FALCONS TREEHOUSE AND ITS CLIENT AS NOTED ON PACKAGE. ANY UNAUTHORIZED USE, DISCLOSURE, DISSEMINATION OR PUBLICATION OF ANY OF THE INFORMATION CONTAINED HEREIN MAY RESULT IN LIABILITY UNDER APPLICABLE LAWS.

JACKSON  
PLANETARIUM

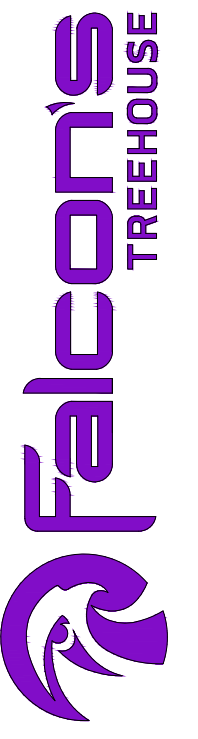
PHASE 1 100% DESIGN DEVELOPMENT - SPACE STATION  
DRAWING TITLE

THIRD FLOOR  
LIGHTING CONTROL INTENT

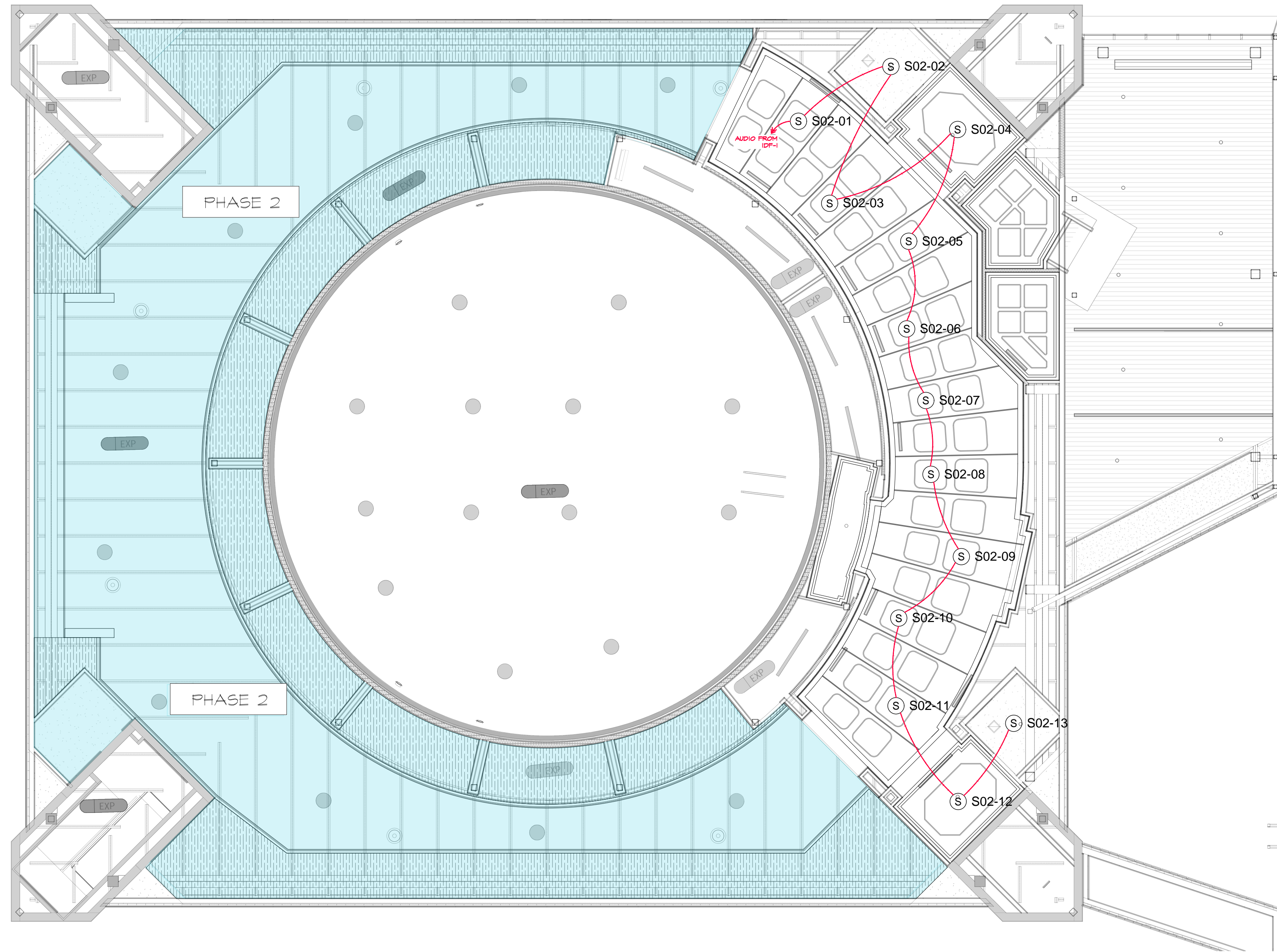
SCALE AS NOTED

DATE: 01-31-2025

D-183



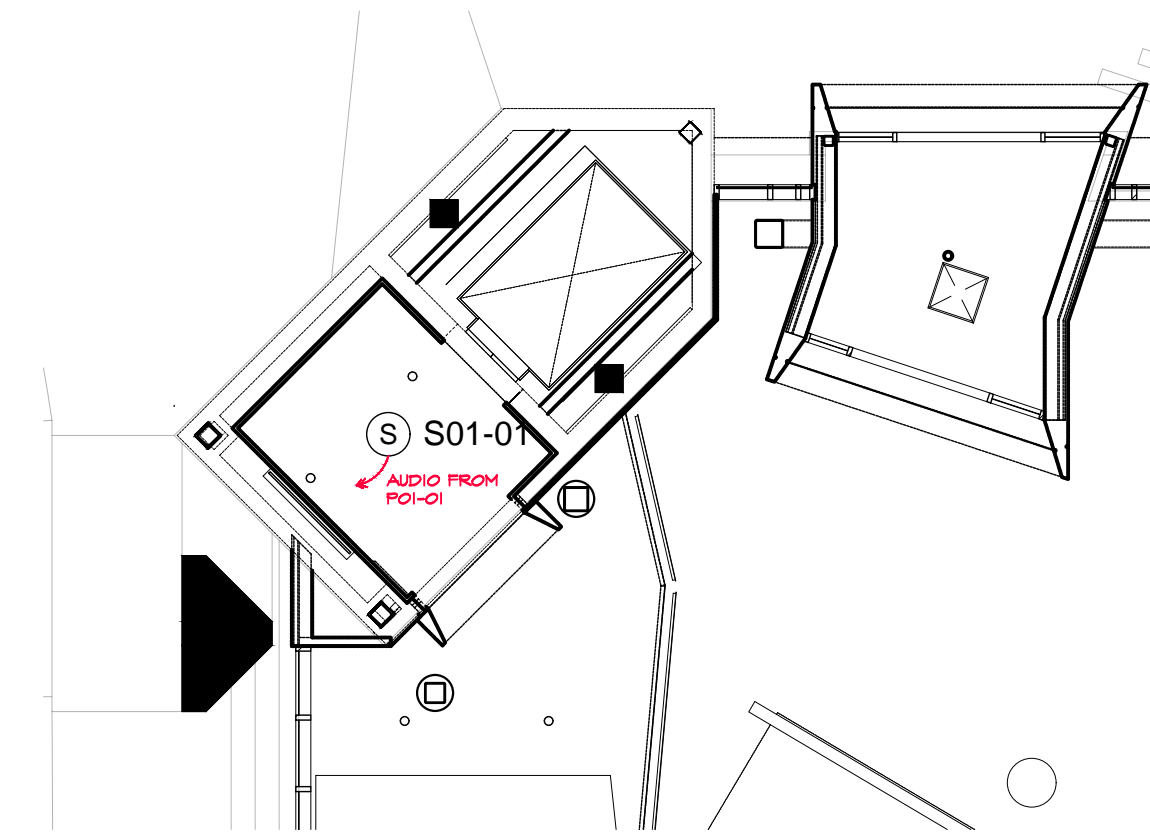




THIRD FLOOR - AUDIO DESIGN INTENT  
SCALE: 1/8" = 1'

D-184

**AUDIO DESCRIPTION:**  
 SPEAKER ON FIRST FLOOR (AD-P67 OR SIMILAR) TO CONNECT BACK TO LOCAL AMPLIFIER WITH AUDIO DERIVED FROM LOCAL PLAYBACK DEVICE. BLACK FINISH RECOMMENDED  
 SPEAKERS ON SPACE STATION SIDE (AD-G67-LP OR SIMILAR) TO BE REGESSED INTO CEILING TRAYS WITH GRATING TO MATCH CEILING COLOR. SPEAKERS TO SHARE A SINGLE CHANNEL AS ZONE-WIDE BGM. ALL SPEAKERS TO ROUTE BACK TO AMPLIFIER LOCATED IN IDF-1  
 SPEAKER LOCATION/PLACEMENT IS A RECOMMENDATION ONLY AND WILL REQUIRE ADDITIONAL REVIEW & APPROVAL BY AV INTEGRATOR TO ENSURE COVERAGE THROUGHOUT SPACE. FINAL SPEAKER COUNT MAY VARY BASED ON AV INTEGRATOR RECOMMENDATIONS  
 ADDITIONAL CHANNELS MAY BE NECESSARY FOR ADDITIONAL CONTROL OF SPEAKER LEVELS AS REQUIRED



FIRST FLOOR - AUDIO DESIGN INTENT  
SCALE: 1/8" = 1'

D-184

**GENERAL NOTES**  
 • SEE D-191 FOR CABLE ROUTING INFORMATION  
 • ALL PLAYBACK DEVICE DATA LINES ROUTED BACK TO ZONE AMPLIFIER IN IDF-1

RUSSELL C. DAVIS  
PLANETARIUM

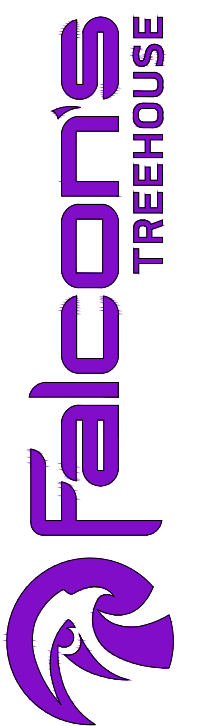
THIS DOCUMENT CONTAINS COPYRIGHT MATERIAL AND TRADE SECRET INFORMATION BELONGING TO FALCON'S TREEHOUSE AND ITS CLIENT AS NOTED ON PACKAGE. ANY UNAUTHORIZED USE, DISCLOSURE, DISSEMINATION OR PUBLICATION OF ANY OF THE INFORMATION CONTAINED HEREIN MAY RESULT IN LIABILITY UNDER APPLICABLE LAWS.

JACKSON  
PLANETARIUM

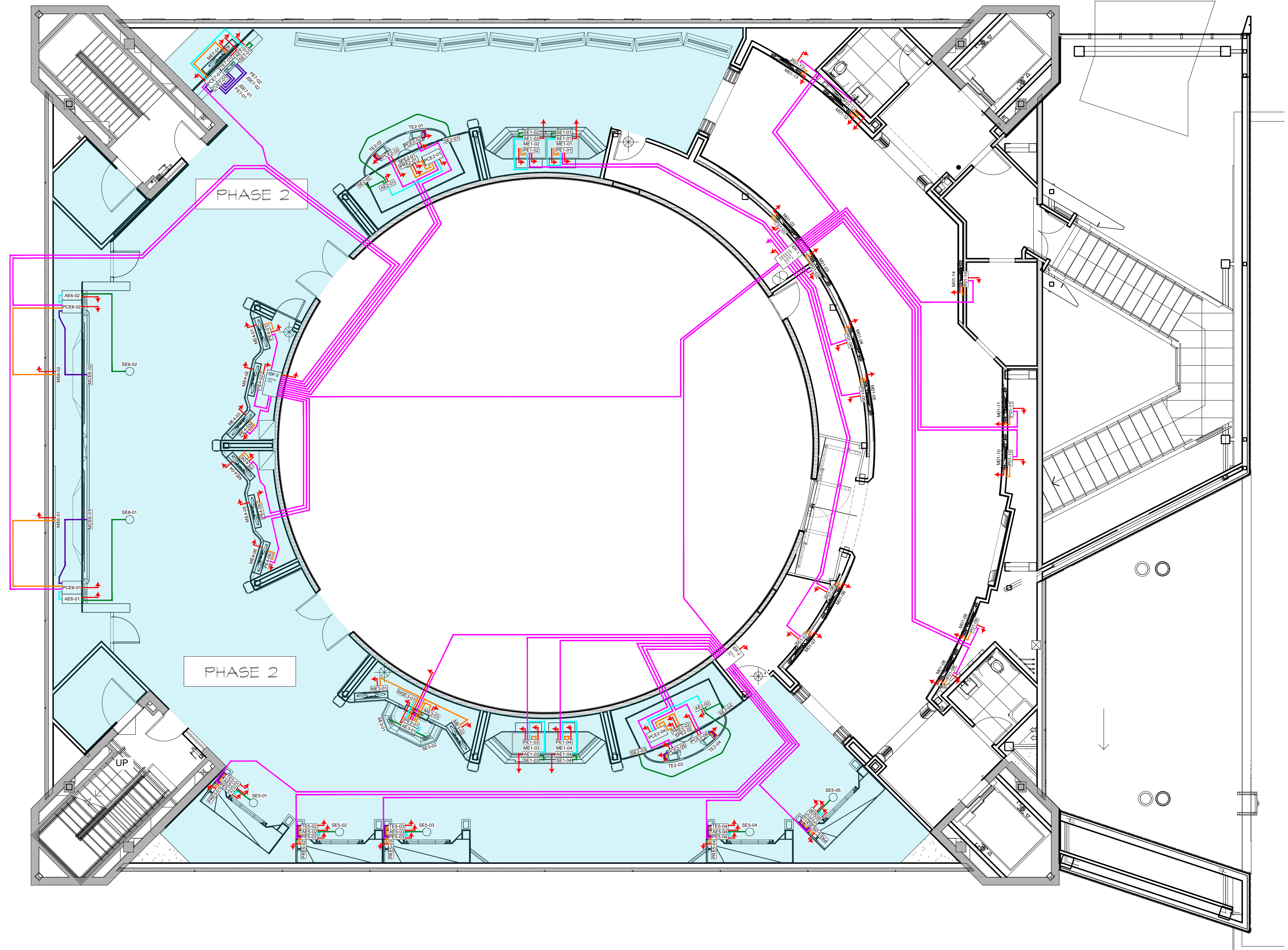
PHASE: 0008 DESIGN DEVELOPMENT - SPACE STATION  
DRAWING TITLE:

THIRD FLOOR  
AUDIO DESIGN INTENT

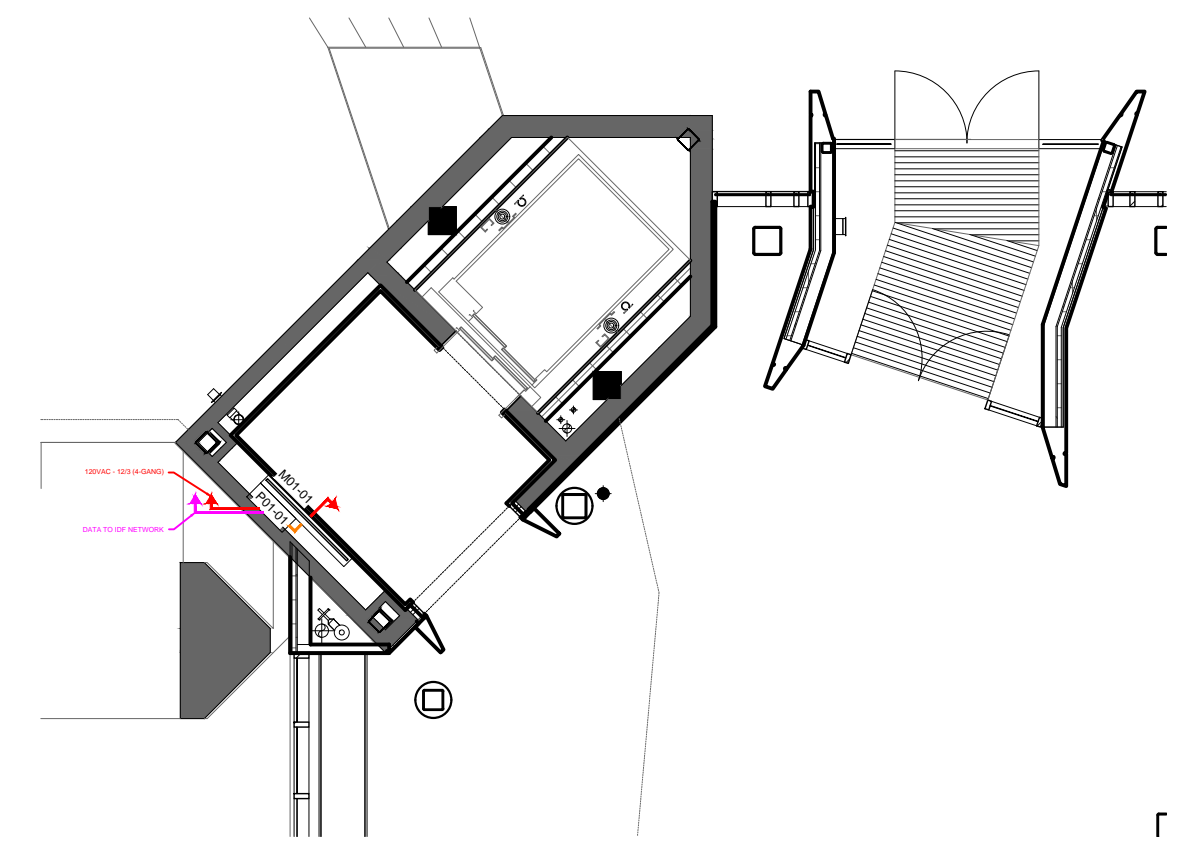
SCALE: AS NOTED  
DATE: 01-31-2025  
DWS NO.: D-184







THIRD FLOOR - OVERALL A/V PLAN  
SCALE: 1/8" = 1'



FIRST FLOOR - OVERALL A/V PLAN  
SCALE: 1/8" = 1'

**GENERAL NOTES**

- SEE D-192 FOR CABLE ROUTING INFORMATION WHILE THIS DIAGRAM CONSTITUTES THE COMPLETE PRELIMINARY A/V LINE DIAGRAM, PLEASE REFER TO INDIVIDUAL DOCUMENT SETS FOR ENLARGED VIEWS OF RELEVANT INTERACTIVES OR DETAILS

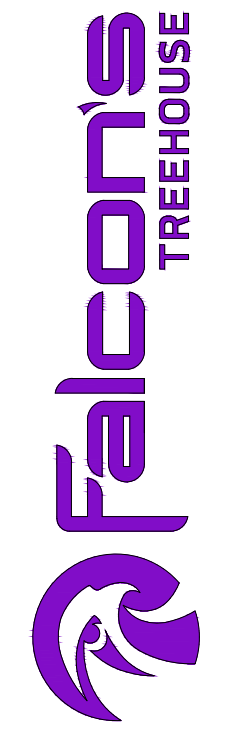
RUSSELL C. DAVIS  
PLANETARIUM

THIS DOCUMENT CONTAINS COPYRIGHT MATERIAL AND TRADE SECRET INFORMATION BELONGING TO FALCON'S TREEHOUSE AND ITS CLIENT AS NOTED ON PACKAGE. ANY UNAUTHORIZED USE, DISCLOSURE, DISSEMINATION OR PUBLICATION OF ANY OF THE INFORMATION CONTAINED HEREIN MAY RESULT IN LIABILITY UNDER APPLICABLE LAWS.

JACKSON  
PLANETARIUM

PHASE: 000% DESIGN DEVELOPMENT - SPACE STATION  
DRAWING TITLE: THIRD FLOOR OVERALL A/V PLAN

SCALE: AS NOTED  
DATE: 01-31-2025  
DWS NO.: D-191

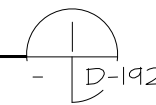




Tag	Item	Manufacturer	Part No.	QTY
M01-01	Monitor 65" 4K	Samsung	QB65r	1
P01-01	Media Player	Brightsign	XD235	1
S01-01	Speaker	Q-Sys	AD-P6T	1
A01-01	Amplifier	JBL	CSA 1120Z	1
-	Mount - Player	HIDEit	Series 4 + 3	1
-	Rack 1U	StarTech	RK119WALLV	1
-	TV Mount	ECHOGEAR	EGLF2	1
-	HDMI Cable (6ft)	PowerBear	2 m-4K-1 paquet	1
-	Speaker Cable (16/2)	Show Me Cables	83-216-240 BK:500	25

OVERALL FIRST FLOOR - PRELIMINARY BOM

SCALE: N.T.S.



Item	Part No.	ID	Location	Connection	Wattage	Type
Monitor	QB65r	M01-01	LL	FAC Power	148	110VAC - 12/3
			LL	P01-01	-	HDMI
Media Player	XD235	P01-01	LL	FAC Power	40	110VAC - 12/3
			LL	M01-01	-	HDMI
			LL	A01-01	-	AUX
			IDF-1	SW1-01	-	CAT6
Amplifier	CSA-1120Z	A01-01	LL	FAC Power	120	110VAC - 12/3
			LL	P01-01	-	AUX
			LL	S01-01	50	SPK - 16/2
Speaker	AD-P6T	S01-01	LL	A01-01	50	SPK - 16/2

OVERALL FIRST FLOOR - WIRING CHART

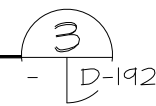
SCALE: N.T.S.



Tag	Item	Manufacturer	Part No.	QTY
M01-##	Monitor 65" 4K	Samsung	QB65r	12
M02-14	Monitor 43" 4K	Samsung	QB43r	1
P01-##	Media Player	Brightsign	XD235	13
S02-##	Speaker	Q-Sys	AD-C6T-LP	13
A01-01	Amplifier	Q-Sys	CX-Q 2K4	1
-	Mount - Player	HIDEit	Series 4 + 3	13
-	Mount - Monitor	ECHOGEAR	EGLF2	13
-	HDMI Cable (6ft)	PowerBear	2 m-4K-1 paquet	13
-	Speaker Cable (16/2)	Show Me Cables	83-216-240 BK:500	680

OVERALL SPACE STATION - PRELIMINARY BOM

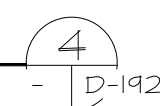
SCALE: N.T.S.



Item	Part No.	ID	Location	Connection	Wattage	Type
Monitor	QB65r	M01-02	SS	FAC Power	148	110VAC - 12/3
			SS	P01-02	-	HDMI
Monitor	QB65r	M01-03	SS	FAC Power	148	110VAC - 12/3
			SS	P01-03	-	HDMI
Monitor	QB65r	M01-04	SS	FAC Power	148	110VAC - 12/3
			SS	P01-04	-	HDMI
Monitor	QB65r	M01-05	SS	FAC Power	148	110VAC - 12/3
			SS	P01-05	-	HDMI
Monitor	QB65r	M01-06	SS	FAC Power	148	110VAC - 12/3
			SS	P01-06	-	HDMI
Monitor	QB65r	M01-07	SS	FAC Power	148	110VAC - 12/3
			SS	P01-07	-	HDMI
Monitor	QB65r	M01-08	SS	FAC Power	148	110VAC - 12/3
			SS	P01-08	-	HDMI
Monitor	QB65r	M01-09	SS	FAC Power	148	110VAC - 12/3
			SS	P01-09	-	HDMI
Monitor	QB65r	M01-10	SS	FAC Power	148	110VAC - 12/3
			SS	P01-10	-	HDMI
Monitor	QB65r	M01-11	SS	FAC Power	148	110VAC - 12/3
			SS	P01-11	-	HDMI
Monitor	QB65r	M01-12	SS	FAC Power	148	110VAC - 12/3
			SS	P01-12	-	HDMI
Monitor	QB65r	M01-13	SS	FAC Power	148	110VAC - 12/3
			SS	P01-13	-	HDMI
Monitor	QB65r	M01-14	SS	FAC Power	148	110VAC - 12/3
			SS	P01-14	-	HDMI
Media Player	XD235	P01-02	SS	FAC Power	36	110VAC - 12/3
			IDF-1	SW1-01	-	CAT6
Media Player	XD235	P01-03	SS	FAC Power	36	110VAC - 12/3
			IDF-1	SW1-01	-	CAT6
Media Player	XD235	P01-04	SS	FAC Power	36	110VAC - 12/3
			IDF-1	SW1-01	-	CAT6
Media Player	XD235	P01-05	SS	FAC Power	36	110VAC - 12/3
			IDF-1	SW1-01	-	CAT6
Media Player	XD235	P01-06	SS	FAC Power	36	110VAC - 12/3
			IDF-1	SW1-01	-	CAT6
Media Player	XD235	P01-07	SS	FAC Power	36	110VAC - 12/3
			IDF-1	SW1-01	-	CAT6
Media Player	XD235	P01-08	SS	FAC Power	36	110VAC - 12/3
			IDF-1	SW1-01	-	CAT6
Media Player	XD235	P01-09	SS	FAC Power	36	110VAC - 12/3
			IDF-1	SW1-01	-	CAT6
Media Player	XD235	P01-10	SS	FAC Power	36	110VAC - 12/3
			IDF-1	SW1-01	-	CAT6
Media Player	XD235	P01-11	SS	FAC Power	36	110VAC - 12/3
			IDF-1	SW1-01	-	CAT6
Media Player	XD235	P01-12	SS	FAC Power	36	110VAC - 12/3
			IDF-1	SW1-01	-	CAT6
Media Player	XD235	P01-13	SS	FAC Power	36	110VAC - 12/3
			IDF-1	SW1-01	-	CAT6
Media Player	XD235	P01-14	SS	FAC Power	36	110VAC - 12/3
			IDF-1	SW1-01	-	CAT6
Amplifier	CX-Q 2K4	A01-01	IDF-1	FAC Power	500	110VAC - 12/3
			IDF-1	P02-01	-	LINE
			IDF-1	S02-01	-	SPK - 16/2
			IDF-1	S02-02	200	SPK - 16/2
			IDF-1	S02-03	200	SPK - 16/2
			IDF-1	S02-04	200	SPK - 16/2
			IDF-1	S02-05	200	SPK - 16/2
			IDF-1	S02-06	200	SPK - 16/2
			IDF-1	S02-07	200	SPK - 16/2
			IDF-1	S02-08	200	SPK - 16/2
			IDF-1	S02-09	200	SPK - 16/2
			IDF-1	S02-10	200	SPK - 16/2
			IDF-1	S02-11	200	SPK - 16/2
		IDF-1	S02-12	200	SPK - 16/2	
		IDF-1	S02-13	50	SPK - 16/2	
Speaker	AD-C6T-LP	S02-01	SS	A01-01	200	SPK - 16/2
Speaker	AD-C6T-LP	S02-02	SS	A01-01	200	SPK - 16/2
Speaker	AD-C6T-LP	S02-03	SS	A01-01	200	SPK - 16/2
Speaker	AD-C6T-LP	S02-04	SS	A01-01	200	SPK - 16/2
Speaker	AD-C6T-LP	S02-05	SS	A01-01	200	SPK - 16/2
Speaker	AD-C6T-LP	S02-06	SS	A01-01	200	SPK - 16/2
Speaker	AD-C6T-LP	S02-07	SS	A01-01	200	SPK - 16/2
Speaker	AD-C6T-LP	S02-08	SS	A01-01	200	SPK - 16/2
Speaker	AD-C6T-LP	S02-09	SS	A01-01	200	SPK - 16/2
Speaker	AD-C6T-LP	S02-10	SS	A01-01	200	SPK - 16/2
Speaker	AD-C6T-LP	S02-11	SS	A01-01	200	SPK - 16/2
Speaker	AD-C6T-LP	S02-12	SS	A01-01	200	SPK - 16/2
Speaker	AD-C6T-LP	S02-13	SS	A01-01	50	SPK - 16/2

OVERALL SPACE STATION - WIRING CHART

SCALE: N.T.S.



GENERAL NOTES

- ALL WIRING TYPES CORRESPOND IN COLOR TO PRELIMINARY INTERCONNECT LINES ON D-194

RUSSELL C. DAVIS  
PLANETARIUM

THIS DOCUMENT CONTAINS COPYRIGHT MATERIAL AND TRADE SECRET INFORMATION BELONGING TO FALCON'S TREEHOUSE AND ITS CLIENT AS NOTED ON PACKAGE. ANY UNAUTHORIZED USE, DISCLOSURE, REPRODUCTION OR PUBLICATION OF ANY OF THE INFORMATION CONTAINED HEREIN MAY RESULT IN LIABILITY UNDER APPLICABLE LAWS.

JACKSON  
PLANETARIUM

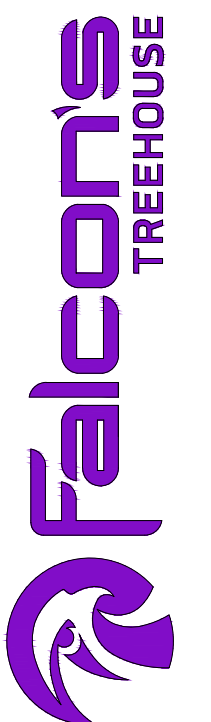
PHASE: 000% DESIGN DEVELOPMENT - SPACE STATION

DRAWING TITLE: OVERALL SPACE STATION AVY SCHEDULE

SCALE: AS NOTED

DATE: 01-31-2025

DWG NO.: D-192

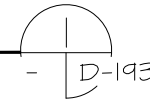




Tag	Item	Manufacturer	Part No.	QTY
R0#-01	Rack	Middle Atlantic	DWR-18-32	3
A01-##	Amplifier	Q-Sys	CX-Q 2K4	2
P02-01	Audio Player	Brightsign	AU335	1
SW#-01	Network Switch	Netgear	M4300-48X	3
UPS0#-01	Uninterruptable Power Supply	APC	SMT3000RM2UC	3
SC01-01	Show Controller	Medialon	Showmaster Pro	1
SP01-01	DMX Splitter	Chauvet	DataStream8	1
-	Misc. Cables			1

ELECTRICAL EQUIPMENT ROOM - PRELIMINARY BOM

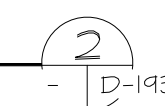
SCALE: N.T.S.



Item	Part No.	ID	Location	Connection	Wattage	Type
Switch	M4300-48X	SW1-01	IDF-1	UPS01-01	240	110VAC - 12/3
			IDF-1	SW1-01	-	CAT6
			IDF-2	SW2-01	-	CAT6
			IDF-3	SW3-01	-	CAT6
			LL	P01-01	-	CAT6
			SS	P01-02	-	CAT6
			SS	P01-03	-	CAT6
			SS	P01-04	-	CAT6
			SS	P01-05	-	CAT6
			SS	P01-06	-	CAT6
			SS	P01-07	-	CAT6
			SS	P01-08	-	CAT6
			SS	P01-09	-	CAT6
			SS	P01-10	-	CAT6
Switch	M4300-48X	SW2-01	IDF-2	UPS02-01	240	110VAC - 12/3
			IDF-1	SW1-01	-	CAT6
			E01-02	PE1-03	-	CAT6
			E01-02	PE1-04	-	CAT6
			E03	PE3-01	-	CAT6
			E02-02	PCE2-04	-	CAT6
			E02-02	PCE2-05	-	CAT6
			E02-02	PCE2-06	-	CAT6
			E05-01	PE5-01	-	CAT6
			E05-02	PE5-02	-	CAT6
			E05-03	PE5-03	-	CAT6
			E05-04	PE5-04	-	CAT6
			E05-05	PE5-05	-	CAT6
			Switch	M4300-48X	SW3-01	IDF-3
IDF-1	SW1-01	-				CAT6
E04-01	PE4-01	-				CAT6
E04-01	PE4-02	-				CAT6
E04-01	PE4-03	-				CAT6
E04-02	PE4-04	-				CAT6
E04-02	PE4-05	-				CAT6
E04-02	PE4-06	-				CAT6
E06	PCE6-01	-				CAT6
E06	PCE6-02	-				CAT6
E07	PCE7-01	-				CAT6
E02-01	PCE2-01	-				CAT6
E02-01	PCE2-02	-				CAT6
E02-01	PCE2-03	-				CAT6
UPS	SMT3000RM2UC	UPS01-01	IDF-1	FAC Power	2700	110VAC - 10/3
			IDF-1	SW1-01	240	110VAC - 12/3
			IDF-1	P02-01	40	110VAC - 12/3
			IDF-1	SC01-01	19	110VAC - 12/3
			IDF-1	SP01-01	2	110VAC - 12/3
			IDF-1	A01-01	500	110VAC - 12/3
			IDF-1	A01-02	500	110VAC - 12/3
			IDF-2	FAC Power	2700	110VAC - 10/3
			IDF-2	SW2-01	240	110VAC - 12/3
			IDF-3	FAC Power	2700	110VAC - 10/3
UPS	SMT3000RM2UC	UPS02-01	IDF-2	FAC Power	2700	110VAC - 10/3
			IDF-2	SW2-01	240	110VAC - 12/3
UPS	SMT3000RM2UC	UPS03-01	IDF-3	FAC Power	2700	110VAC - 10/3
			IDF-3	SW3-01	240	110VAC - 12/3
Player	AU335	P02-01	IDF-1	UPS01-01	40	110VAC - 12/3
			IDF-1	A01-01	-	LINE
Show Controller	Showmaster Pro	SC01-01	IDF-1	A01-02	-	LINE
			IDF-1	UPS01-01	19	110VAC - 12/3
DMX Splitter	DataStream8	SP01-01	IDF-1	SP01-01	-	DMX
			IDF-1	SP01-01	-	DMX
			IDF-1	SP01-01	-	DMX
			IDF-1	SP01-01	-	DMX
			IDF-1	UPS01-01	2	110VAC - 12/3
			IDF-1	SC01-01	-	DMX
Amplifier	CX-Q 2K4	A01-01	IDF-1	UPS01-01	500	110VAC - 12/3
			IDF-1	P02-01	-	LINE
			SS	S02-01	-	SPK - 16/2
			SS	S02-02	200	SPK - 16/2
			SS	S02-03	-	SPK - 16/2
			SS	S02-04	-	SPK - 16/2
			SS	S02-05	-	SPK - 16/2
			SS	S02-06	-	SPK - 16/2
			SS	S02-07	200	SPK - 16/2
			SS	S02-08	-	SPK - 16/2
			SS	S02-09	-	SPK - 16/2
			SS	S02-10	-	SPK - 16/2
			SS	S02-11	200	SPK - 16/2
			SS	S02-12	-	SPK - 16/2
Amplifier	CX-Q 2K4	A01-02	IDF-1	UPS01-01	500	110VAC - 12/3
			IDF-1	P02-01	-	LINE
			Exhibit	S01-02	-	SPK - 16/2
			Exhibit	S01-03	200	SPK - 16/2
			Exhibit	S01-04	-	SPK - 16/2
			Exhibit	S01-05	-	SPK - 16/2
			Exhibit	S01-06	-	SPK - 16/2
			Exhibit	S01-07	200	SPK - 16/2
			Exhibit	S01-08	-	SPK - 16/2
			Exhibit	S01-09	-	SPK - 16/2
			Exhibit	S01-10	-	SPK - 16/2
			Exhibit	S01-11	200	SPK - 16/2
			Exhibit	S01-12	-	SPK - 16/2
			Exhibit	S01-13	-	SPK - 16/2
Exhibit	S01-14	-	SPK - 16/2			
Exhibit	S01-15	150	SPK - 16/2			
Exhibit	S01-16	-	SPK - 16/2			

ELECTRICAL EQUIPMENT ROOM - WIRING CHART

SCALE: N.T.S.



GENERAL NOTES  
 ALL WIRING TYPES  
 CORRESPOND IN COLOR  
 TO PRELIMINARY  
 INTERCONNECT LINES ON  
 D-194

RUSSELL C. DAVIS  
 PLANETARIUM

THIS DOCUMENT CONTAINS COPYRIGHT MATERIAL  
 AND TRADE SECRET INFORMATION BELONGING TO  
 FALCON'S TREEHOUSE AND ITS CLIENT AS NOTED  
 ON PACKAGE. ANY UNAUTHORIZED USE, DISCLOSURE,  
 DISSEMINATION OR PUBLICATION OF ANY OF THE  
 INFORMATION CONTAINED HEREIN MAY RESULT IN  
 LIABILITY UNDER APPLICABLE LAWS.

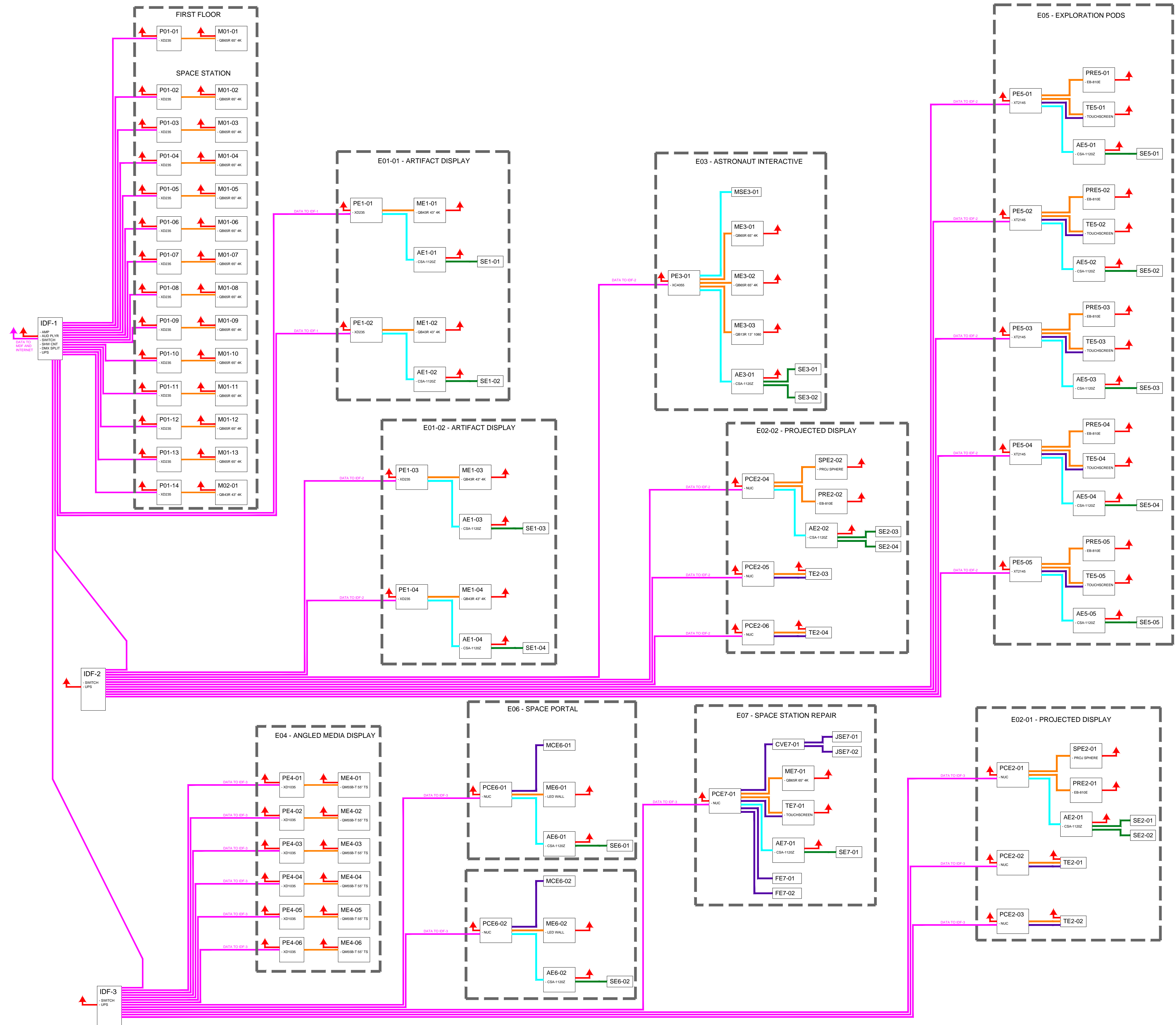
JACKSON  
 PLANETARIUM

PHASE: 00% DESIGN DEVELOPMENT - SPACE STATION  
 DRAWING TITLE: ELECTRICAL EQUIPMENT ROOM  
 ANY SCHEDULE

SCALE: AS NOTED  
 DATE: 01-31-2025  
 DWG NO.: D-193







**GENERAL NOTES**

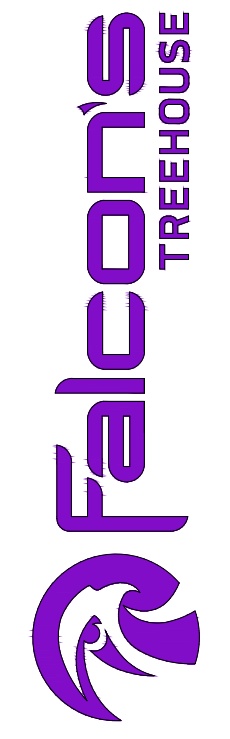
- SEE D-192 FOR CABLE ROUTING INFORMATION WHILE THIS DIAGRAM CONSTITUTES THE COMPLETE PRELIMINARY A/V LINE DIAGRAM, PLEASE REFER TO INDIVIDUAL DOCUMENT SETS FOR ENLARGED VIEWS OF RELEVANT INTERACTIVES OR DETAILS

RUSSELL C. DAVIS  
PLANETARIUM

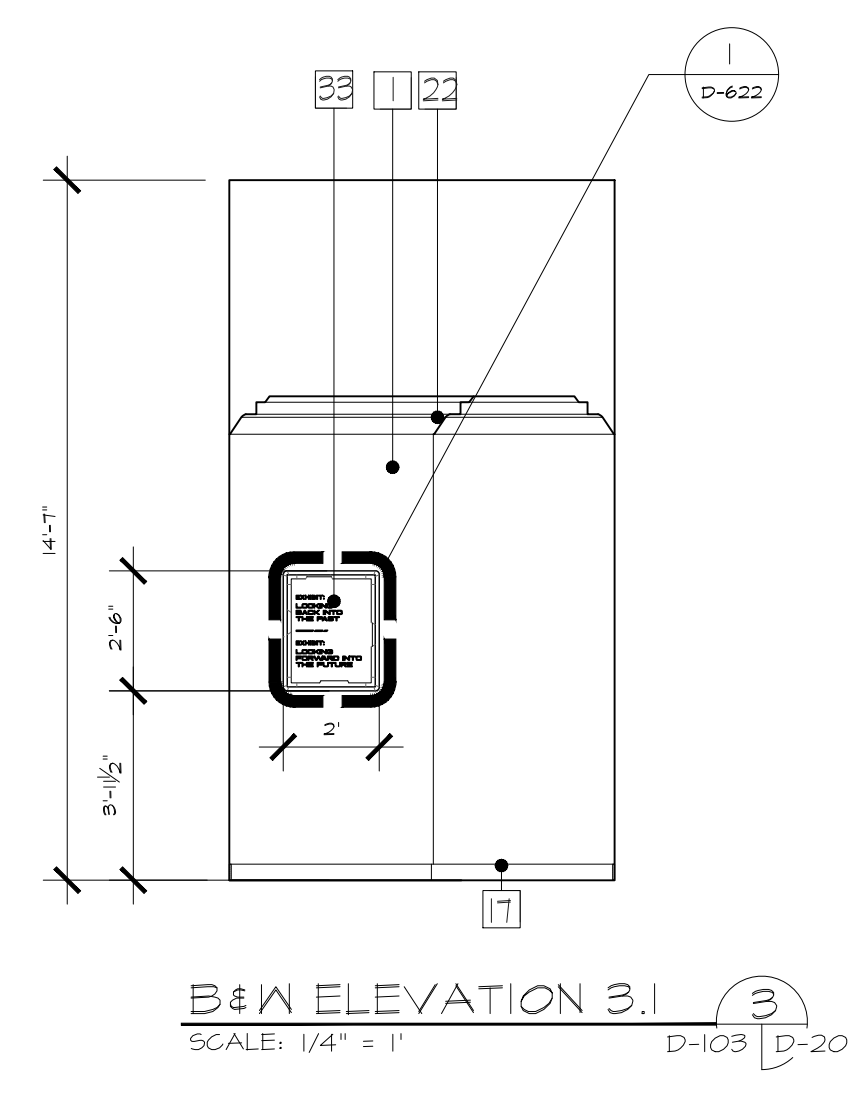
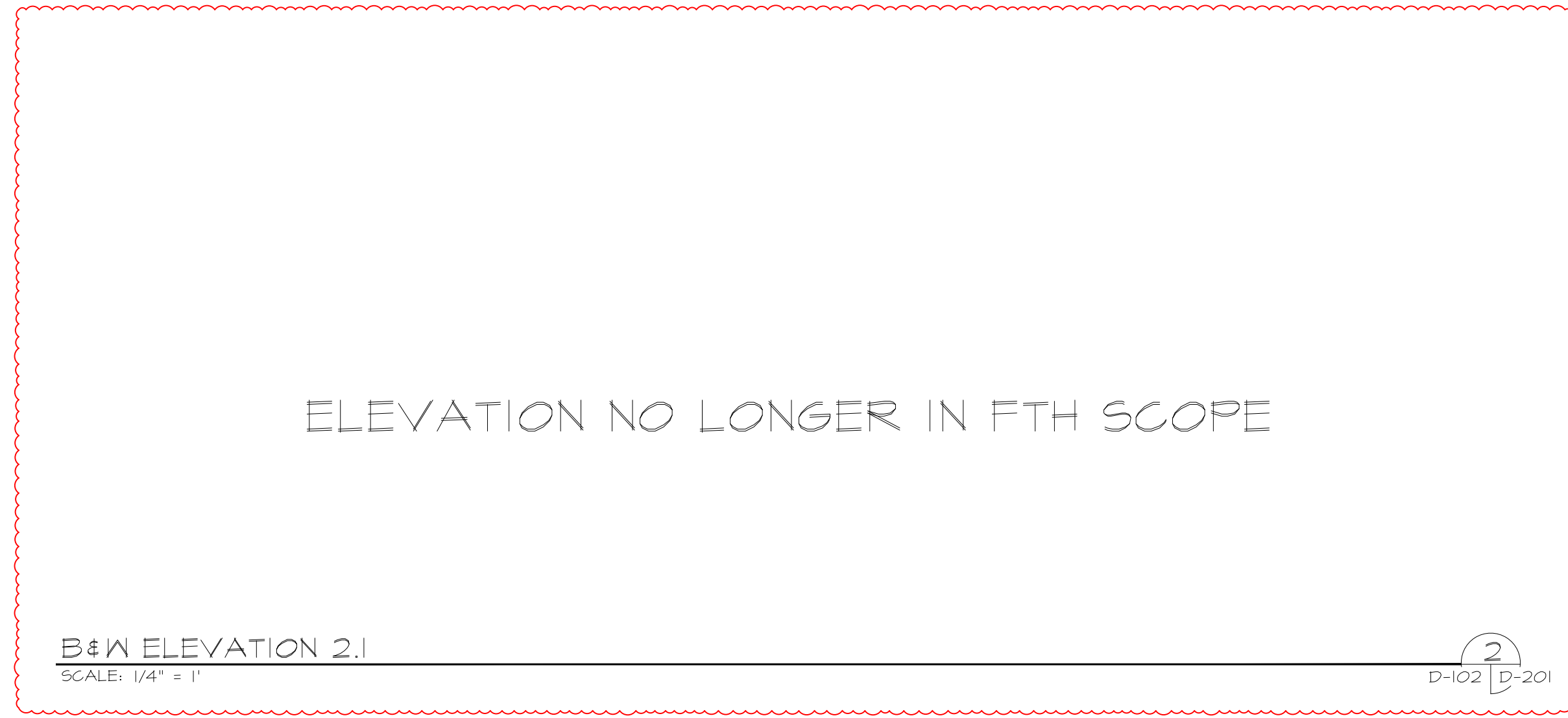
THIS DOCUMENT CONTAINS COPYRIGHT MATERIAL AND TRADE SECRET INFORMATION BELONGING TO FALCON'S TREEHOUSE AND ITS CLIENT AS NOTED ON PACKAGE. ANY UNAUTHORIZED USE, DISCLOSURE, REPRODUCTION OR PUBLICATION OF ANY OF THE INFORMATION CONTAINED HEREIN MAY RESULT IN LIABILITY UNDER APPLICABLE LAWS.

JACKSON  
PLANETARIUM

PHASE: 000% DESIGN DEVELOPMENT - SPACE STATION  
DRAWING TITLE: OVERALL SPACE STATION PRELIMINARY INTERCONNECT  
SCALE: AS NOTED  
DATE: 01-31-2025  
DWG NO.: D-194



OVERALL SPACE STATION - WIRING CHART  
SCALE: N.T.S.

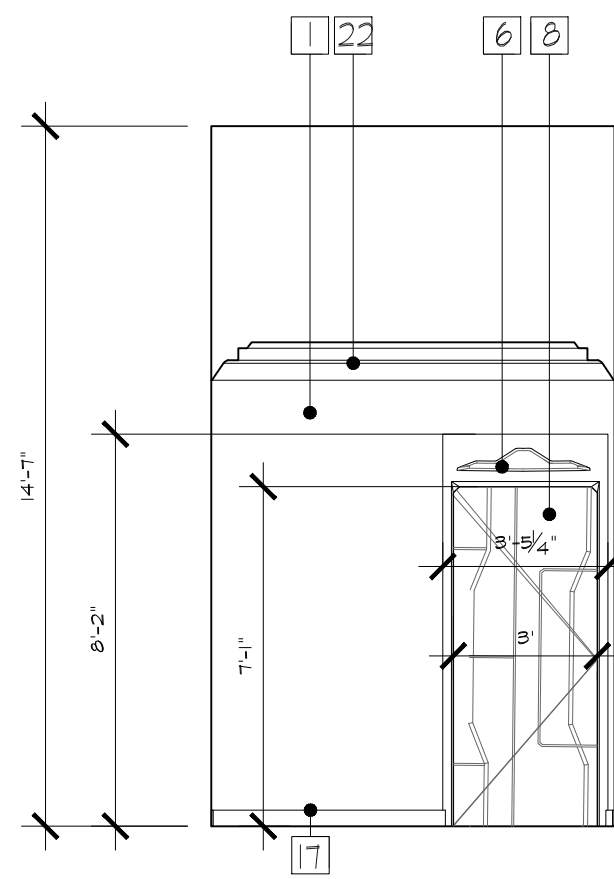


NOTES:

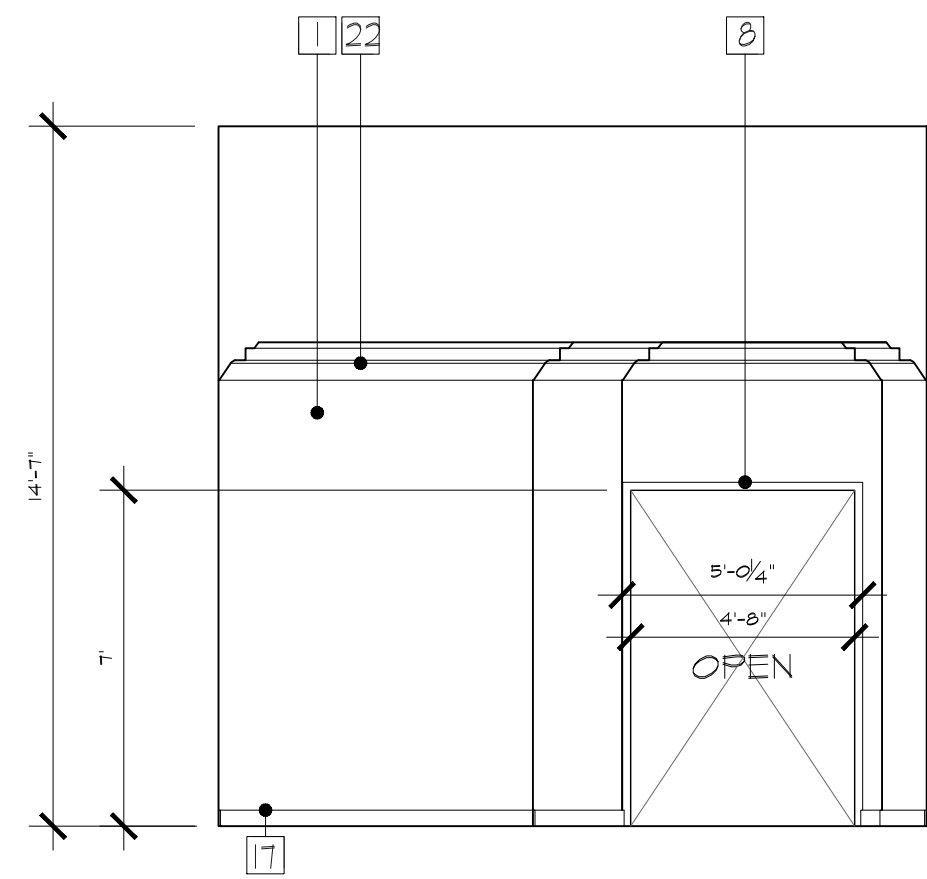
- 1 - DRYMALL CONSTRUCTION WITH LEVEL 4 SCENIC PAINT TREATMENT
- 5 - APPLIED SUPERGRAPHIC - PLEASE REFER TO GRAPHIC SCHEDULE AND RELEVANT GRAPHIC TAG FOR FURTHER INFORMATION
- 6 - DIMENSIONAL SCENIC CLADDING IN LAYERED MDF CONSTRUCTION WITH SCENIC PAINT FINISH
- 8 - FACILITY ACCESS DOOR WITH SCENIC PAINT TREATMENT
- 9 - ELEVATOR DOOR WITH BRUSHED ALUMINUM FINISH
- 11 - DIMENSIONAL DOOR FRAME IN MDF CONSTRUCTION WITH TRIM MOLDING IN SCENIC PAINT FINISH - RECESSED LED LIGHTING CHANNELS INTEGRATED INTO FRAME WITH DIFFUSED ACRYLIC - CONSTRUCTED TO BE FLUSH WITH SCENIC FRAME
- 14 - NON-FUNCTIONING FAUX SCENIC DOOR IN LAYERED MDF CONSTRUCTION WITH SCENIC PAINT TREATMENT
- 17 - RUBBER BASE MOLDING
- 22 - CROWN MOLDING WITH SCENIC PAINT TREATMENT
- 23 - WAYFINDING SIGNAGE - POLYCARBONATE PANEL, EDGE LIT BY LED LIGHTING INTEGRATED INTO FRAME. SIGNAGE FRAME CONSTRUCTED OF MDF WITH SCENIC PAINT TREATMENT. PLEASE REFER TO GRAPHIC SCHEDULE FOR FURTHER DETAILS

RUSSELL C. DAVIS  
PLANETARIUM

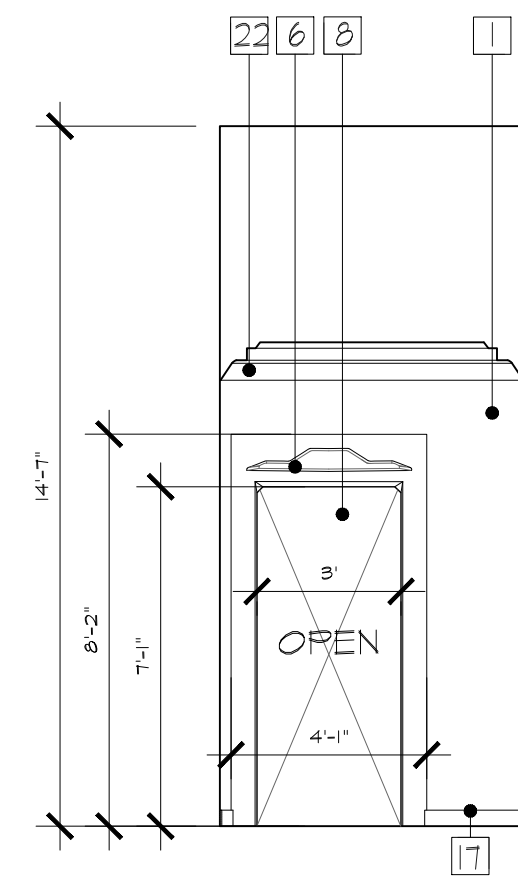
THIS DOCUMENT CONTAINS COPYRIGHT MATERIAL AND TRADE SECRET INFORMATION BELONGING TO FALCONS TREEHOUSE AND ITS CLIENT AS NOTED ON PACKAGE. ANY UNAUTHORIZED USE, DISCLOSURE, DISSEMINATION OR PUBLICATION OF ANY OF THE INFORMATION CONTAINED HEREIN MAY RESULT IN LIABILITY UNDER APPLICABLE LAWS.



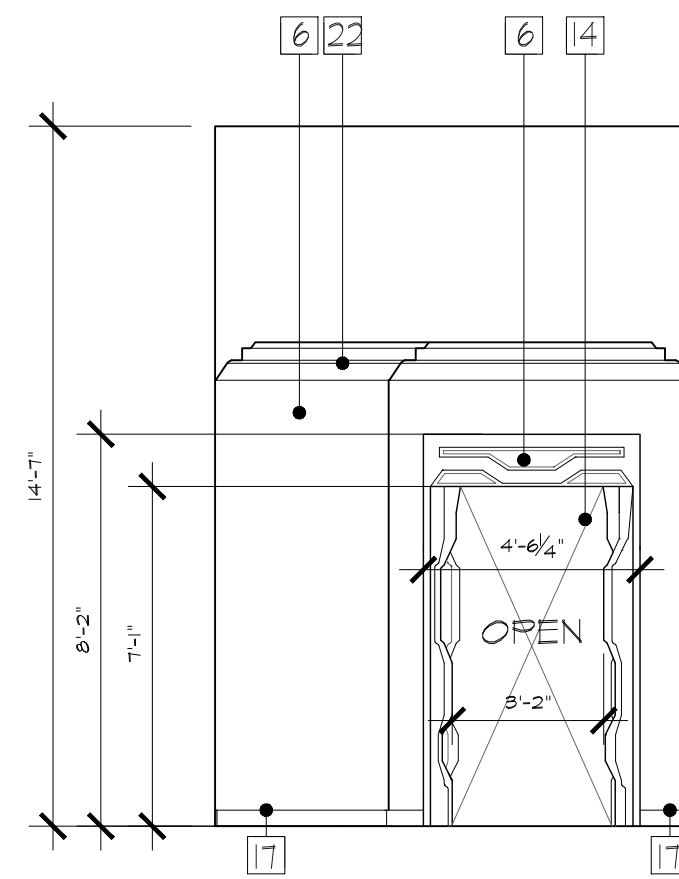
B&W ELEVATION 3.2 SCALE: 1/4" = 1' D-103 D-201



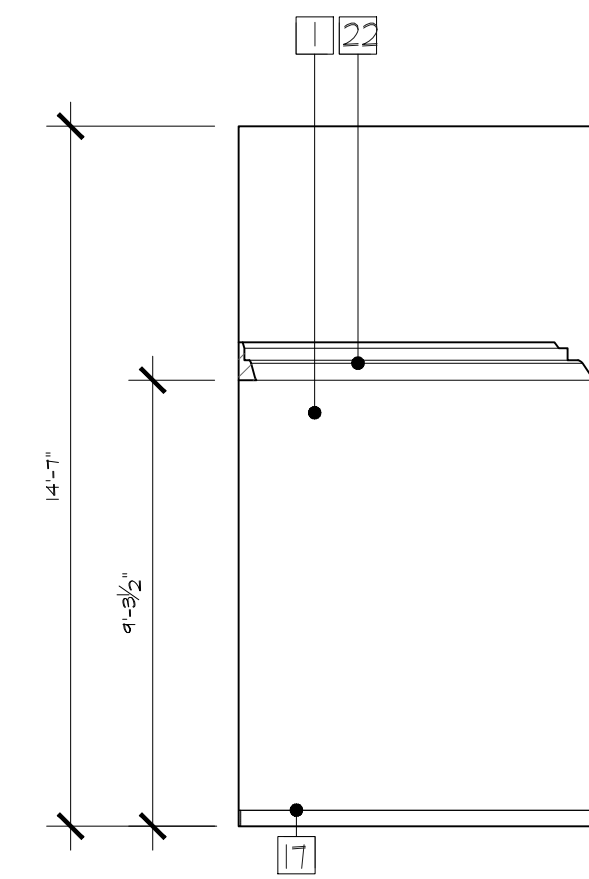
B&W ELEVATION 3.3 SCALE: 1/4" = 1' D-103 D-201



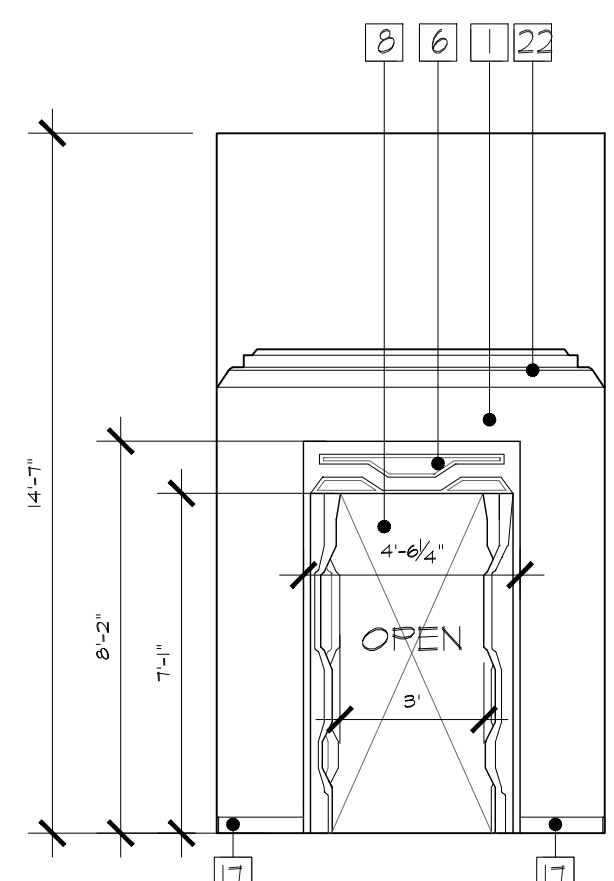
B&W ELEVATION 3.4 SCALE: 1/4" = 1' D-103 D-201



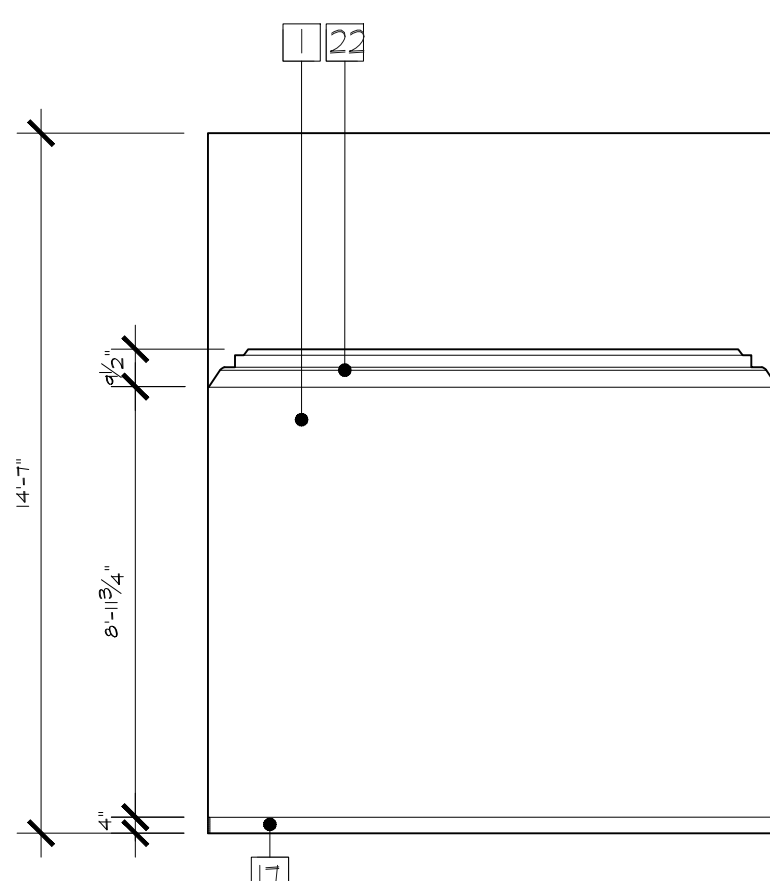
B&W ELEVATION 3.5 SCALE: 1/4" = 1' D-103 D-201



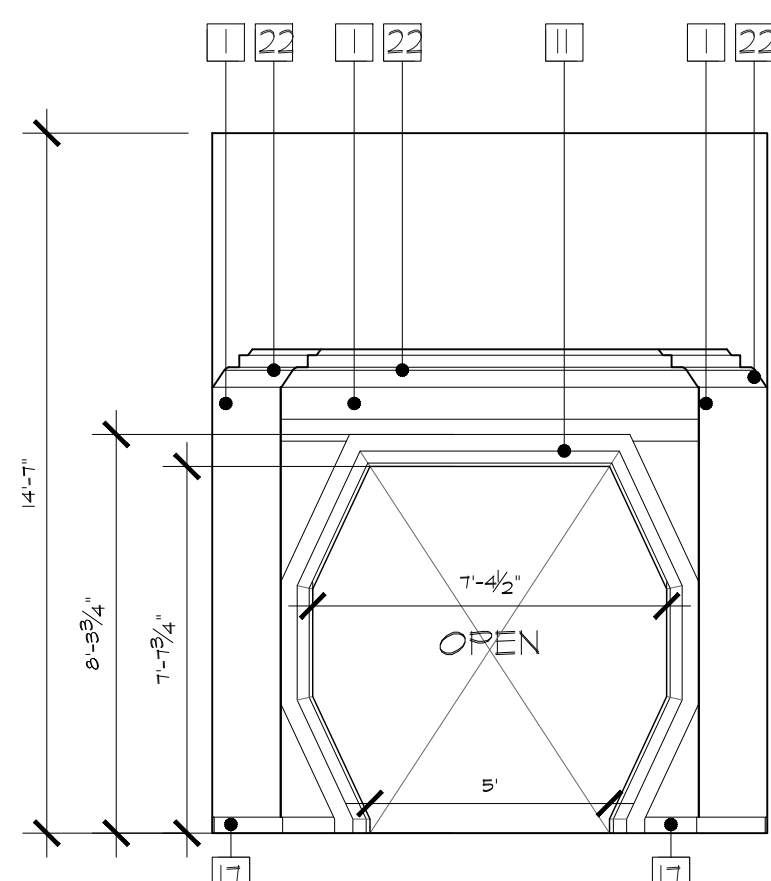
B&W ELEVATION 3.6 SCALE: 1/4" = 1' D-103 D-201



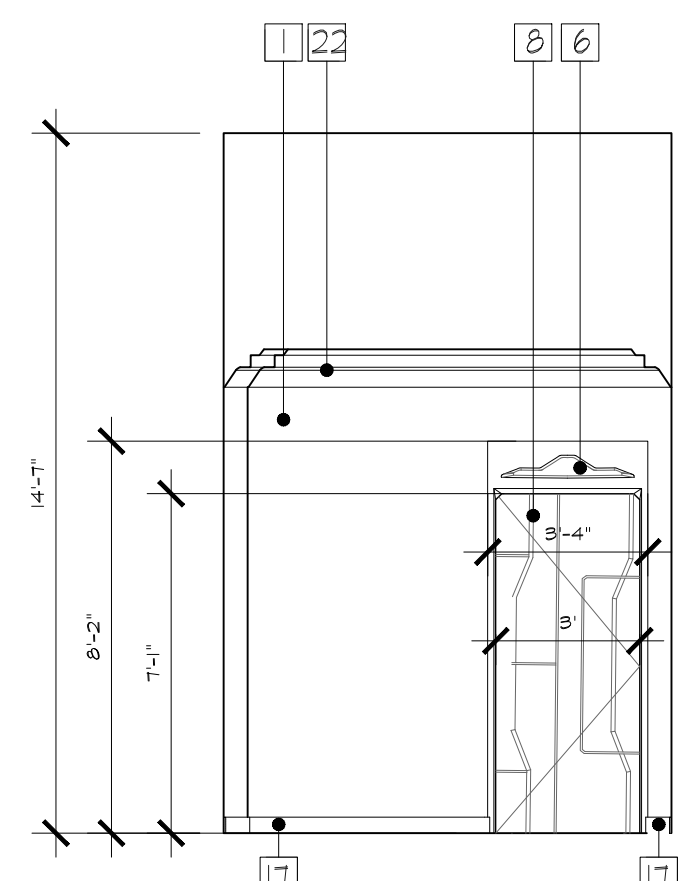
B&W ELEVATION 3.7 SCALE: 1/4" = 1' D-103 D-201



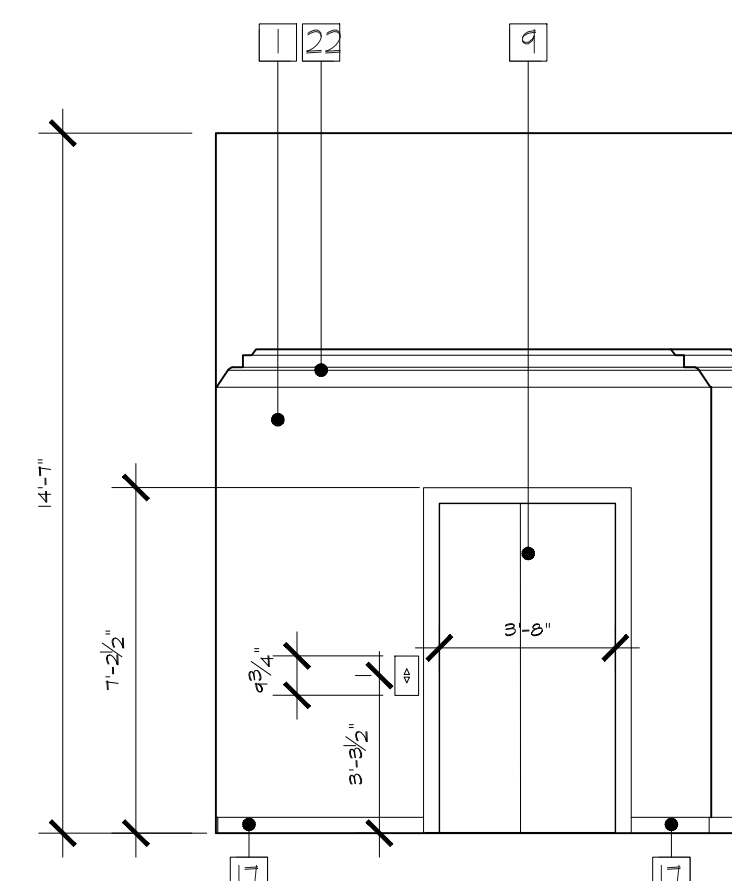
B&W ELEVATION 3.8 SCALE: 1/4" = 1' D-103 D-201



B&W ELEVATION 3.9 SCALE: 1/4" = 1' D-103 D-201



B&W ELEVATION 3.10 SCALE: 1/4" = 1' D-103 D-201



B&W ELEVATION 3.11 SCALE: 1/4" = 1' D-103 D-201

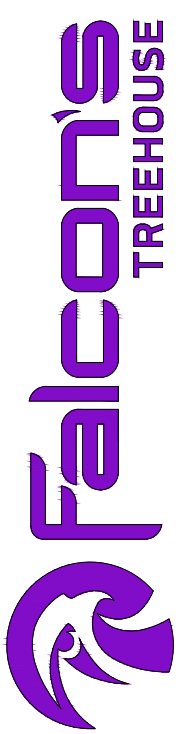
JACKSON  
PLANETARIUM

PHASE: 000R DESIGN DEVELOPMENT - SPACE STATION

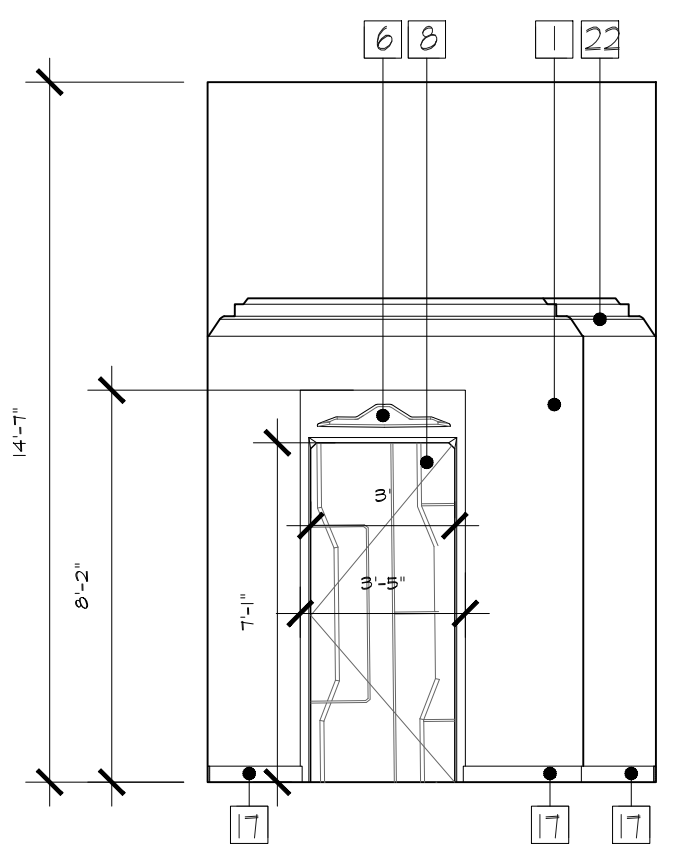
DRAWING TITLE:  
ZONES 1, 2, & 3  
B&W ELEVATIONS

SCALE: AS NOTED DATE: 01-31-2025

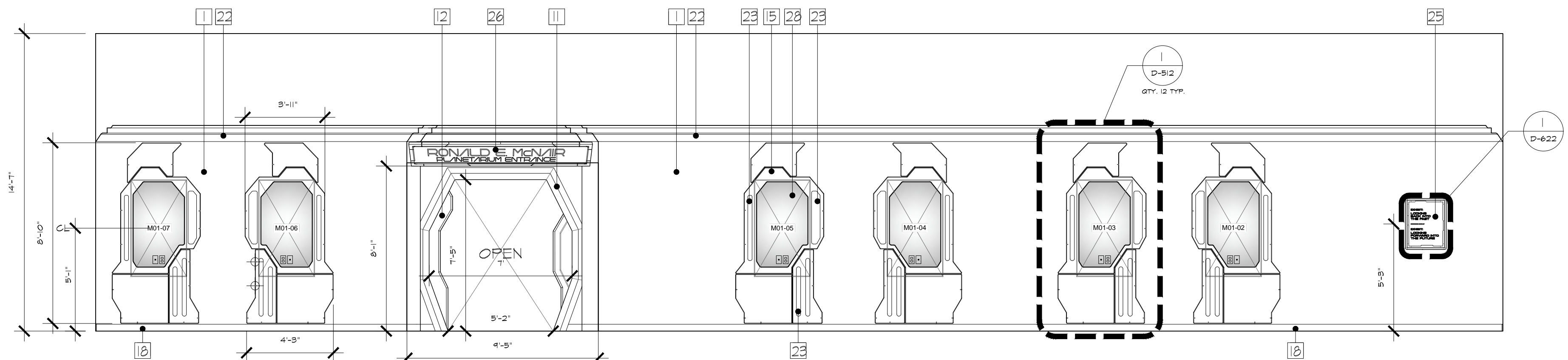
DWG NO.: D-201



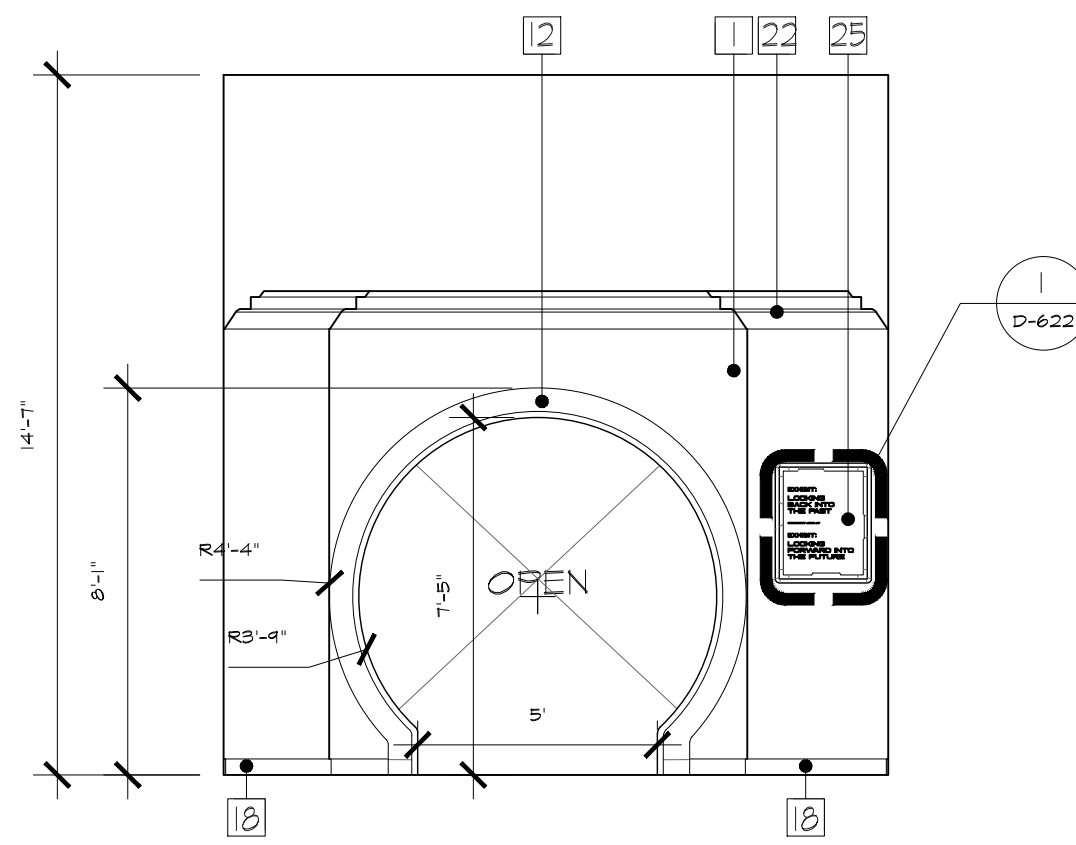




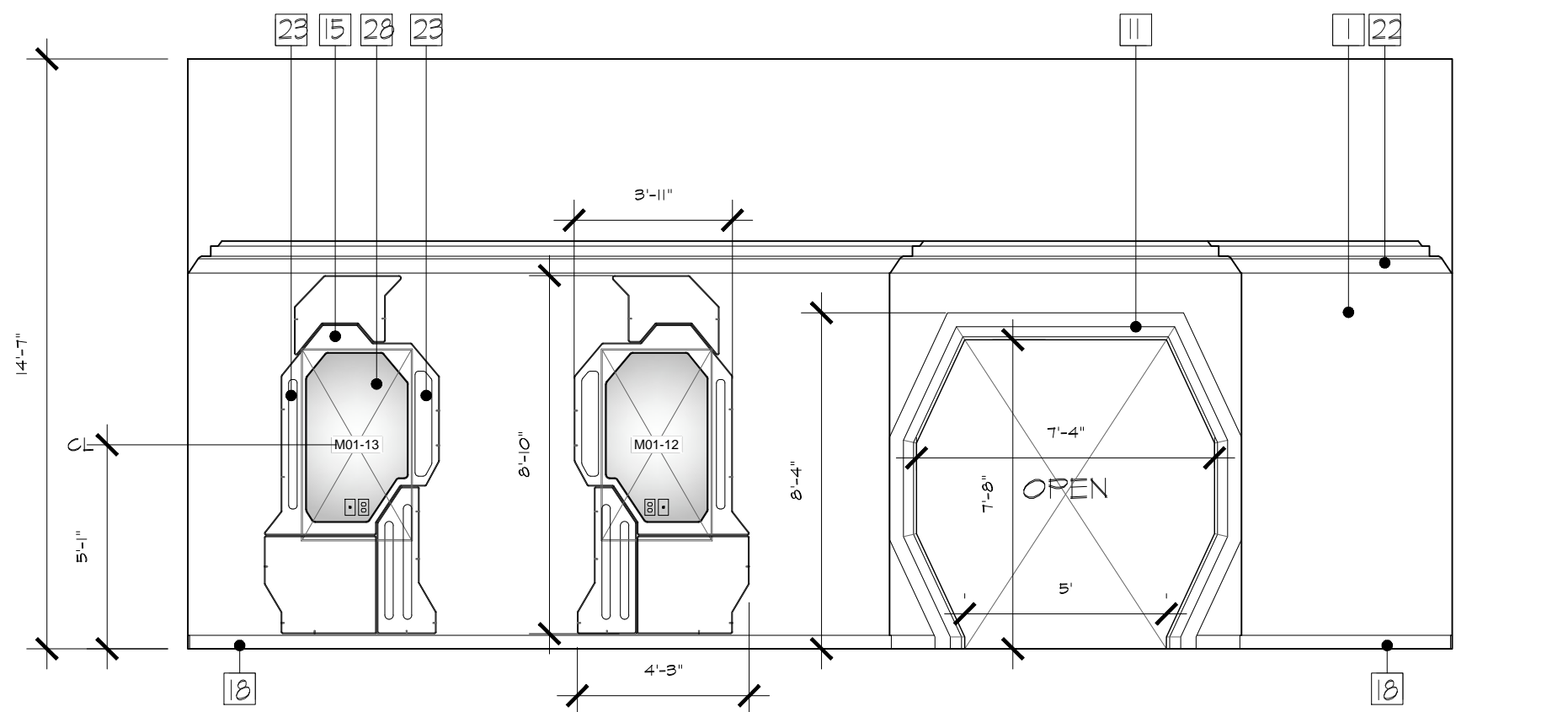
B&W ELEVATION 3.12  
SCALE: 1/4" = 1'  
D-103 D-202



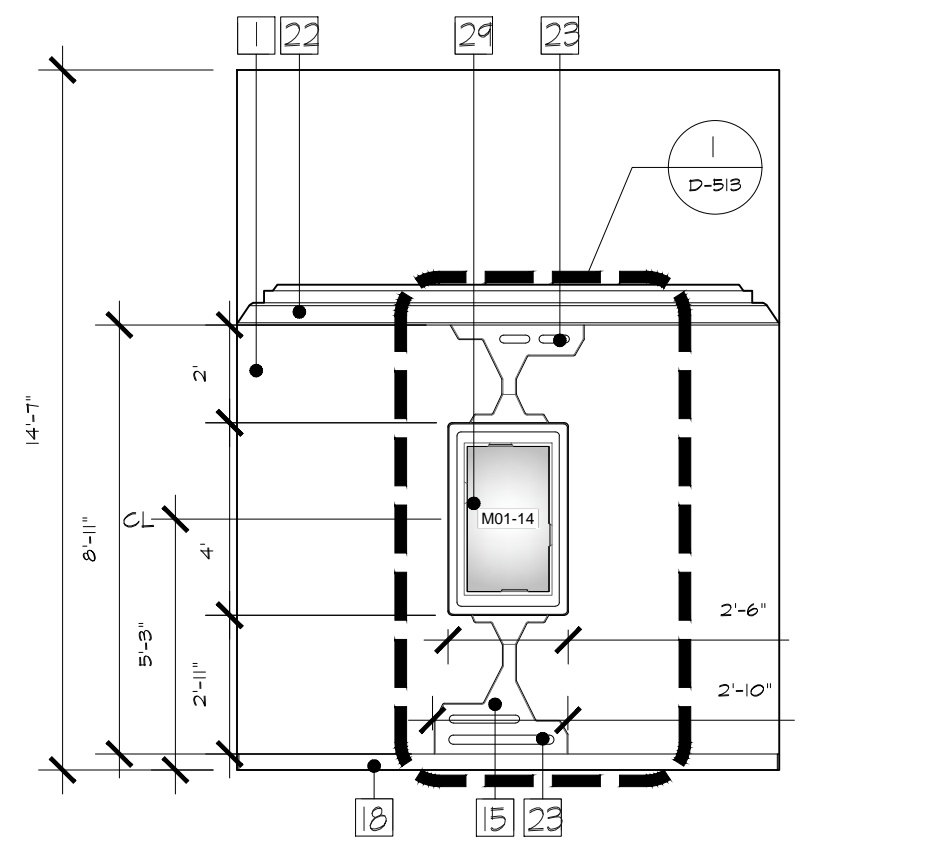
B&W ELEVATION 3.13  
SCALE: 1/4" = 1'  
D-103 D-202



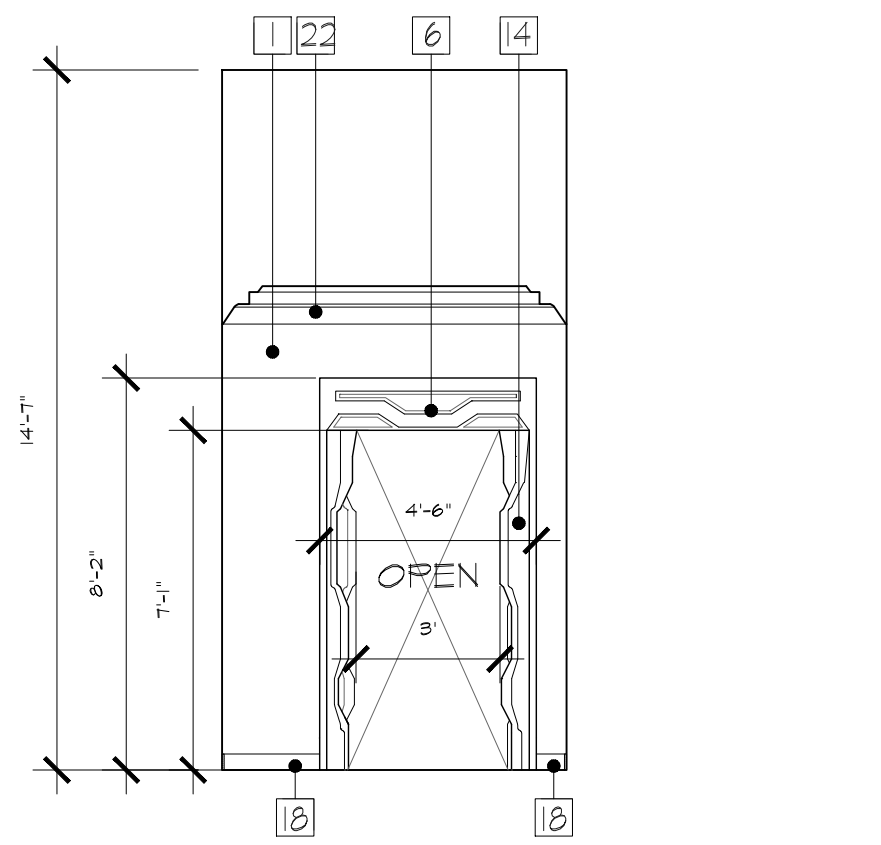
B&W ELEVATION 3.14  
SCALE: 1/4" = 1'  
D-103 D-202



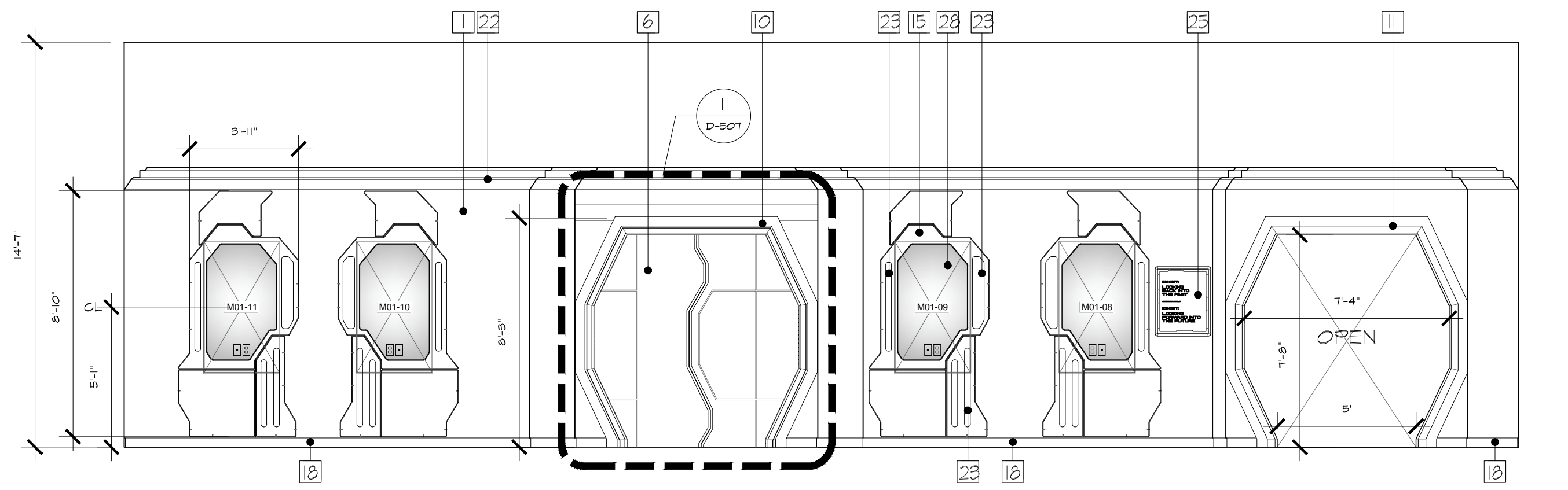
B&W ELEVATION 3.15  
SCALE: 1/4" = 1'  
D-103 D-202



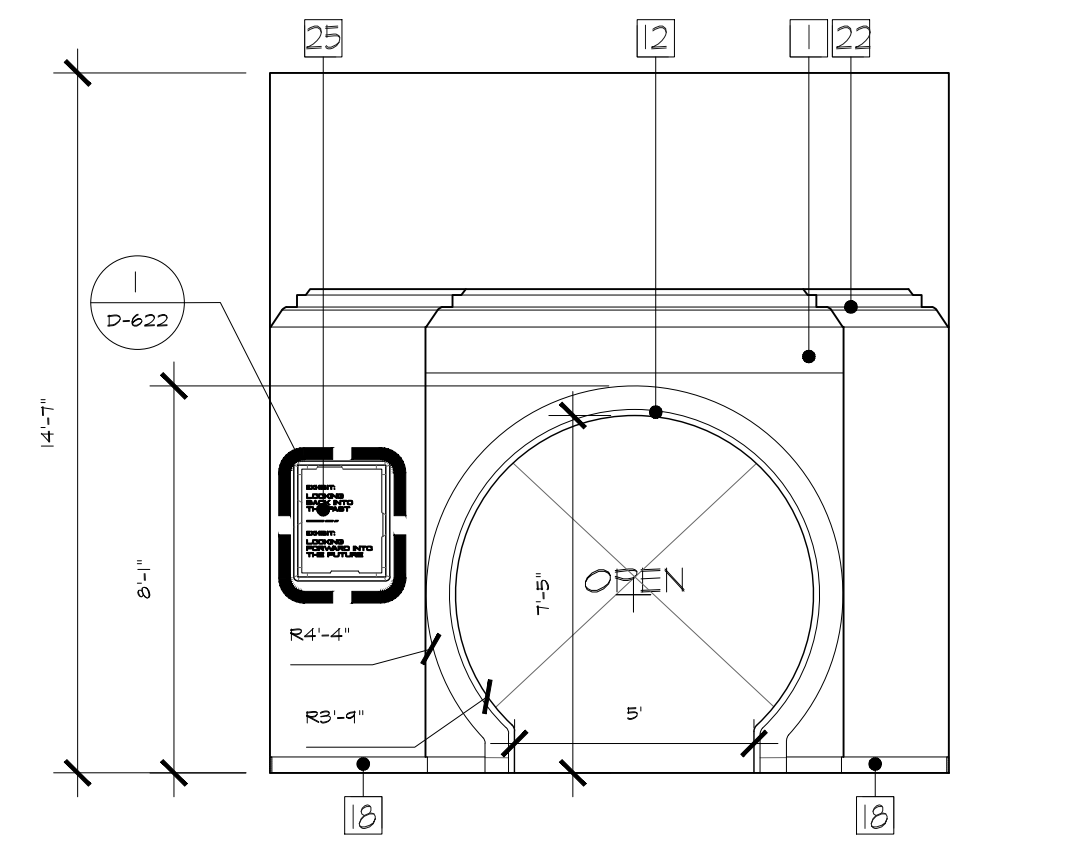
B&W ELEVATION 3.16  
SCALE: 1/4" = 1'  
D-103 D-202



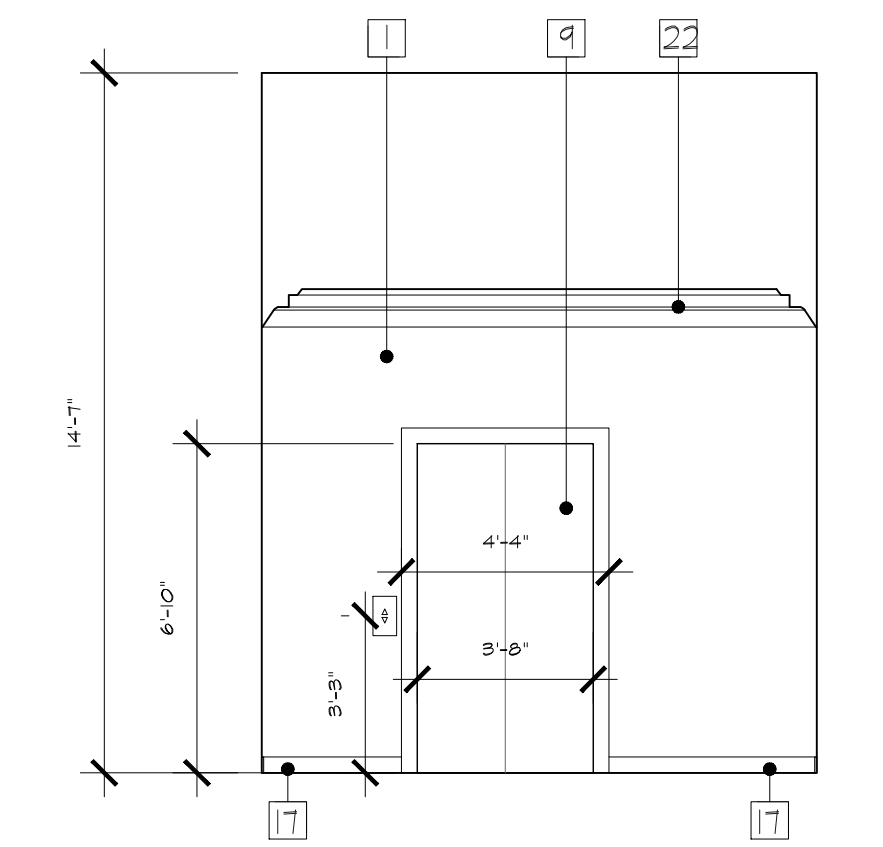
B&W ELEVATION 3.17  
SCALE: 1/4" = 1'  
D-103 D-202



B&W ELEVATION 3.18  
SCALE: 1/4" = 1'  
D-103 D-202



B&W ELEVATION 3.19  
SCALE: 1/4" = 1'  
D-103 D-202



B&W ELEVATION 3.20  
SCALE: 1/4" = 1'  
D-103 D-202

NOTES:

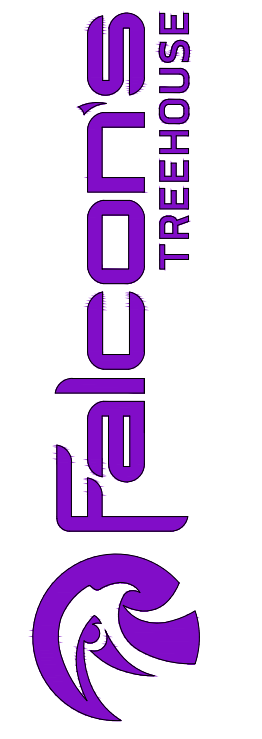
- 1 - DRYWALL CONSTRUCTION WITH LEVEL 4 SCENIC PAINT TREATMENT
- 5 - APPLIED SUPERGRAPHIC - PLEASE REFER TO GRAPHIC SCHEDULE AND RELEVANT GRAPHIC TAG FOR FURTHER INFORMATION
- 6 - DIMENSIONAL SCENIC CLADDING IN LAYERED MDF CONSTRUCTION WITH SCENIC PAINT FINISH
- 8 - FACILITY ACCESS DOOR WITH SCENIC PAINT TREATMENT
- 9 - ELEVATOR DOOR WITH BRUSHED ALUMINUM FINISH
- 10 - DOOR FRAME WITH SCENIC PAINT TREATMENT
- 11 - DIMENSIONAL DOOR FRAME IN MDF CONSTRUCTION WITH TRIM MOLDING IN SCENIC PAINT FINISH - RECESSED LED LIGHTING CHANNELS INTEGRATED INTO FRAME WITH DIFFUSED ACRYLIC - CONSTRUCTED TO BE FLUSH WITH SCENIC FRAME
- 12 - DIMENSIONAL DOOR FRAME CONSTRUCTED OF LAYERED MDF AND TRIMMED WITH FLEXIBLE MOLDING - RECESSED LED LIGHTING CHANNELS INTEGRATED INTO FRAME WITH DIFFUSED ACRYLIC - CONSTRUCTED TO BE FLUSH WITH SCENIC FRAME
- 14 - NON-FUNCTIONING FAUX SCENIC DOOR IN LAYERED MDF CONSTRUCTION WITH SCENIC PAINT TREATMENT
- 15 - DIMENSIONAL SCENIC CLADDING IN LAYERED MDF CONSTRUCTION WITH THERMOFORMED KYDEX LAMINATE OR SIMILAR FINISH TREATMENT
- 17 - RUBBER BASE MOLDING
- 18 - RECESSED RUBBER BASE MOLDING WITH INTEGRATED LED TOE-KICK LIGHTING
- 22 - CROWN MOLDING WITH SCENIC PAINT TREATMENT
- 23 - RECESSED LED LIGHTING EFFECT WITH POLYCARBONATE DIFFUSER
- 25 - WAYFINDING SIGNAGE - POLYCARBONATE PANEL, EDGE LIT BY LED LIGHTING INTEGRATED INTO FRAME. SIGNAGE FRAME CONSTRUCTED OF MDF WITH SCENIC PAINT TREATMENT. PLEASE REFER TO GRAPHICS SCHEDULE FOR FURTHER DETAILS
- 26 - WAYFINDING SIGNAGE - BRUSHED ALUMINUM PANEL, EDGE LIT BY LED LIGHTING INTEGRATED INTO FRAME. SIGNAGE FRAME CONSTRUCTED OF MDF WITH SCENIC PAINT TREATMENT. PLEASE REFER TO GRAPHICS SCHEDULE FOR FURTHER DETAILS
- 28 - RECESSED 65" MONITOR (SAMSUNG Q65BR) WITH REMOVABLE MDF BEZEL IN SCENIC PAINT FINISH
- 29 - RECESSED 43" MONITOR (SAMSUNG Q43BR) WITH REMOVABLE MDF BEZEL IN SCENIC PAINT FINISH

RUSSELL C. DAVIS  
PLANETARIUM

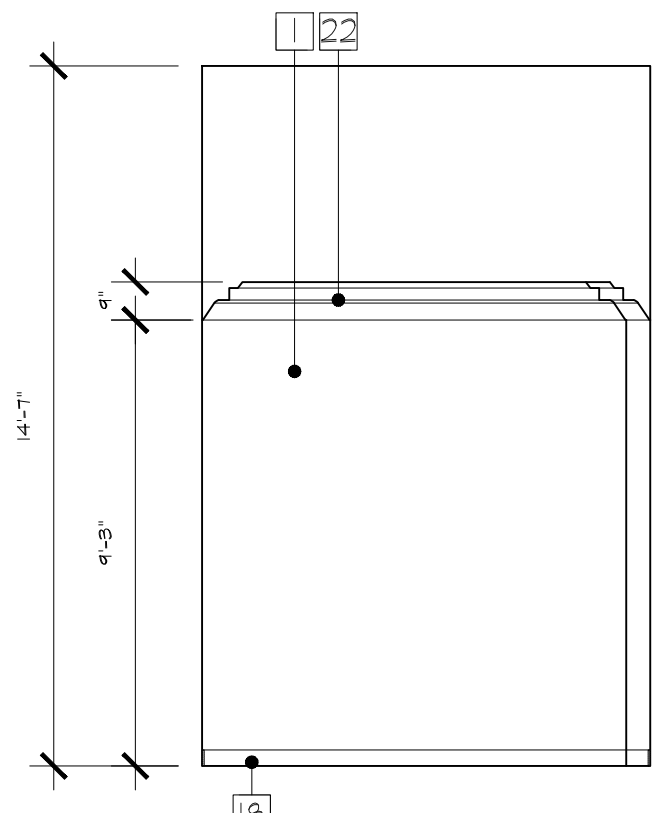
THIS DOCUMENT CONTAINS COPYRIGHT MATERIAL AND TRADE SECRET INFORMATION BELONGING TO FALCONS TREEHOUSE AND ITS CLIENT AS NOTED ON PACKAGE. ANY UNAUTHORIZED USE, DISCLOSURE, REPRODUCTION OR PUBLICATION OF ANY OF THE INFORMATION CONTAINED HEREIN MAY RESULT IN LIABILITY UNDER APPLICABLE LAWS.

JACKSON  
PLANETARIUM

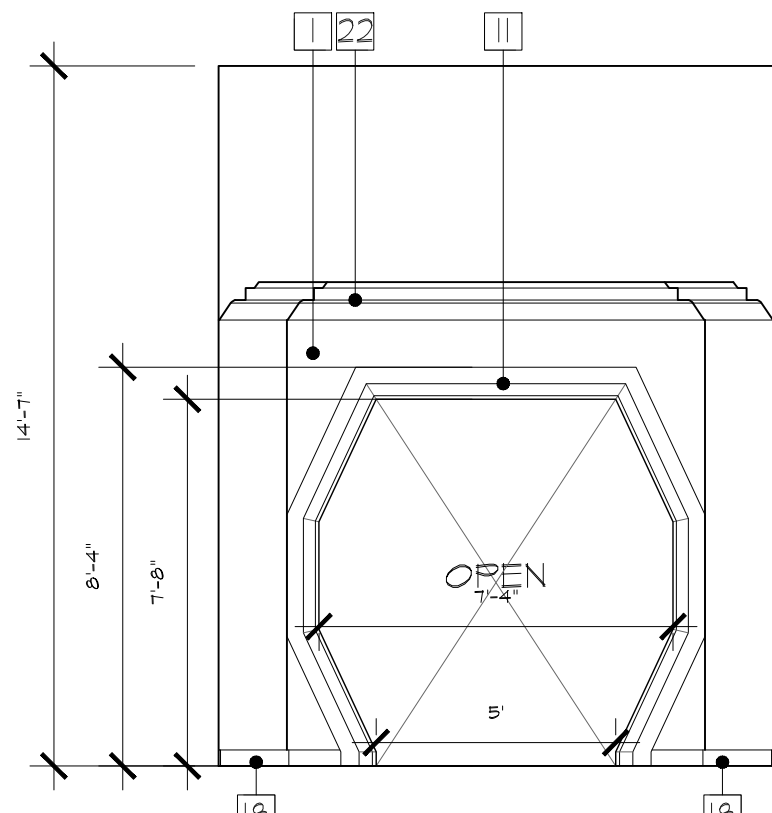
PHASE: 000R DESIGN DEVELOPMENT - SPACE STATION	DRAWING TITLE:
ZONE 3	B&W ELEVATIONS
DATE: 01-31-2025	SCALE: AS NOTED
DWG NO.: D-202	



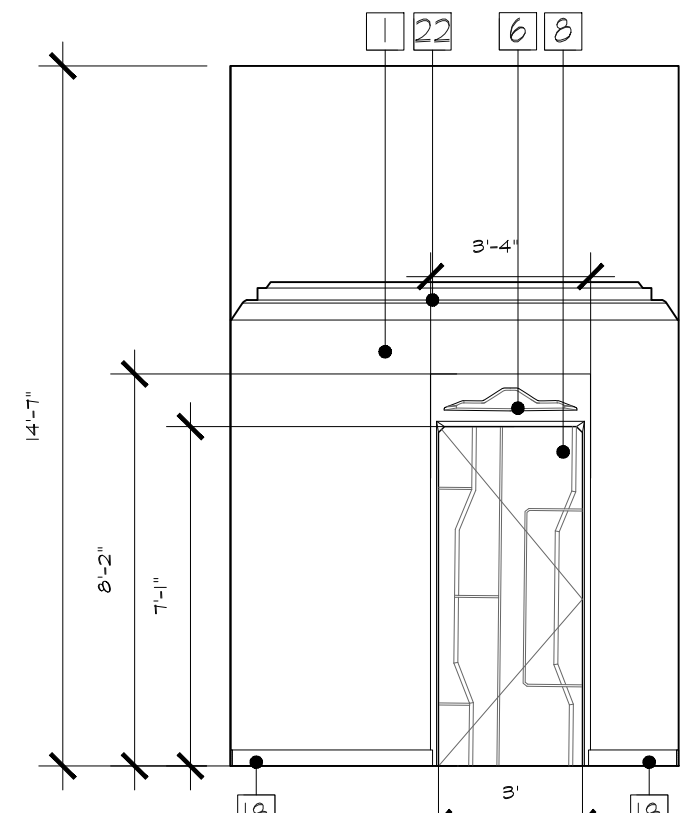




B&W ELEVATION 3.21  
SCALE: 1/4" = 1'  
D-103 | D-203



B&W ELEVATION 3.22  
SCALE: 1/4" = 1'  
D-103 | D-203



B&W ELEVATION 3.23  
SCALE: 1/4" = 1'  
D-103 | D-203

NOTES:

- 1 - DRYWALL CONSTRUCTION WITH LEVEL 4 SCENIC PAINT TREATMENT
- 6 - DIMENSIONAL SCENIC CLADDING IN LAYERED MDF CONSTRUCTION WITH SCENIC PAINT FINISH
- 10 - FACILITY ACCESS DOOR WITH SCENIC PAINT TREATMENT
- 11 - DIMENSIONAL DOOR FRAME IN MDF CONSTRUCTION WITH TRIM MOLDING IN SCENIC PAINT FINISH - RECESSED LED LIGHTING CHANNELS INTEGRATED INTO FRAME WITH DIFFUSED ACRYLIC - CONSTRUCTED TO BE FLUSH WITH SCENIC FRAME
- 10 - RECESSED RUBBER BASE MOLDING WITH INTEGRATED LED TOE-KICK LIGHTING
- 22 - CROWN MOLDING WITH SCENIC PAINT TREATMENT

RUSSELL C. DAVIS  
PLANETARIUM

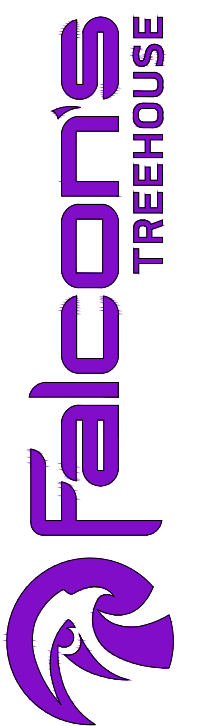
THIS DOCUMENT CONTAINS COPYRIGHT MATERIAL AND TRADE SECRET INFORMATION BELONGING TO FALCON'S TREEHOUSE AND ITS CLIENT AS NOTED ON PACKAGE. ANY UNAUTHORIZED USE, DISCLOSURE, DISSEMINATION OR PUBLICATION OF ANY OF THE INFORMATION CONTAINED HEREIN MAY RESULT IN LIABILITY UNDER APPLICABLE LAWS.

JACKSON  
PLANETARIUM

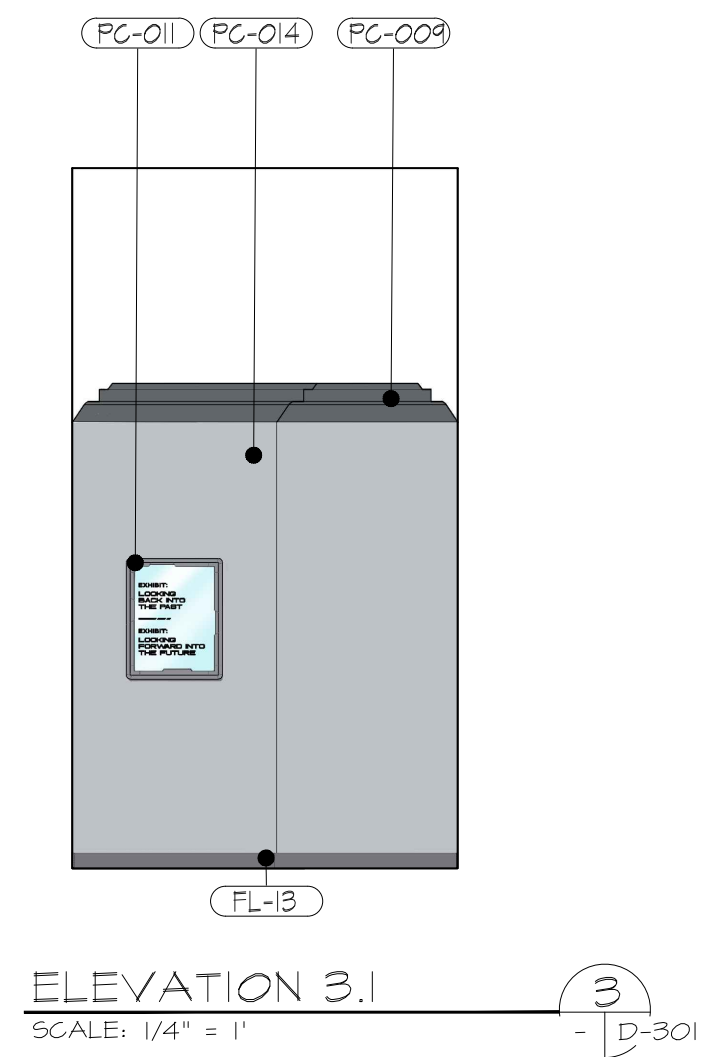
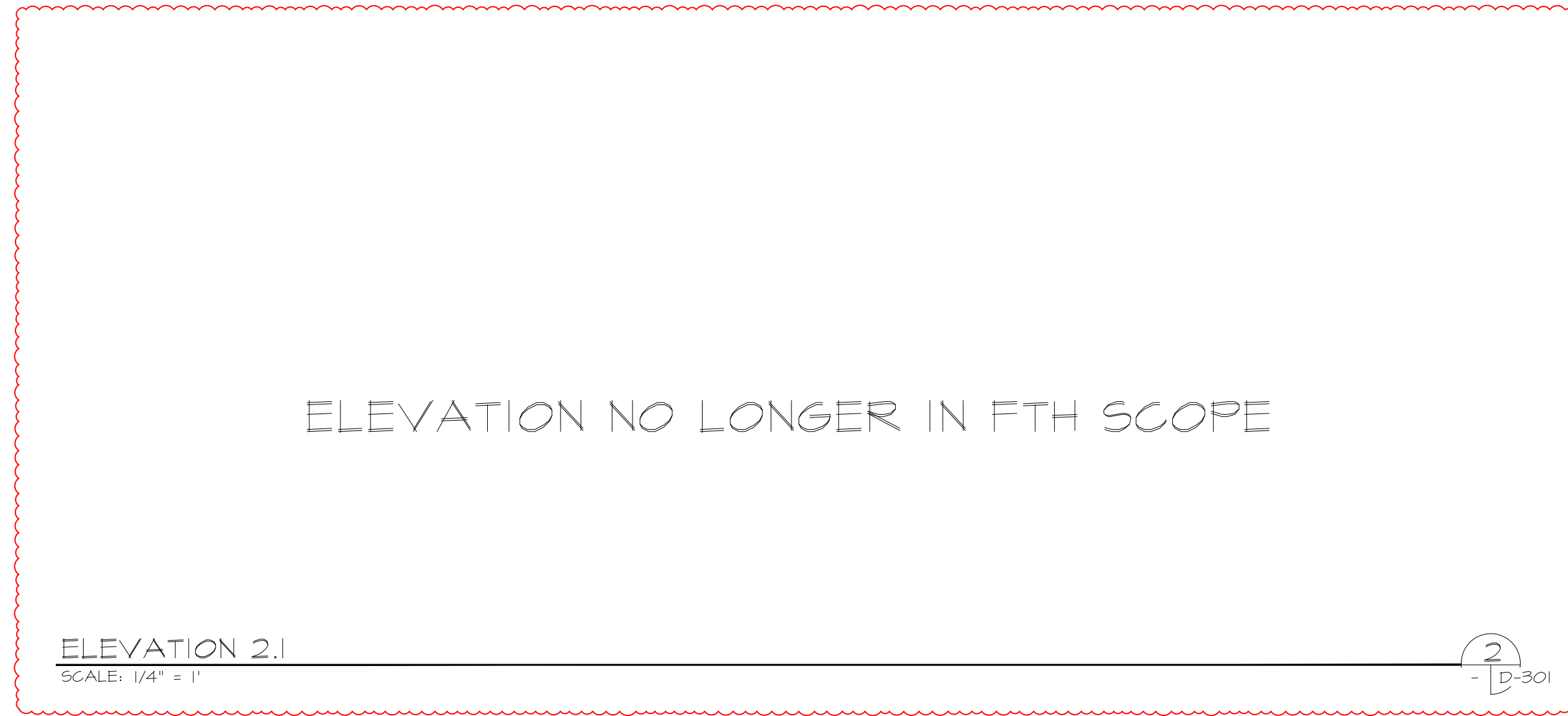
PHASE: 00% DESIGN DEVELOPMENT - SPACE STATION  
DRAWING TITLE:

ZONE 3  
B&W ELEVATIONS

SCALE: AS NOTED  
DATE: 01-31-2025  
DWS NO.: D-203





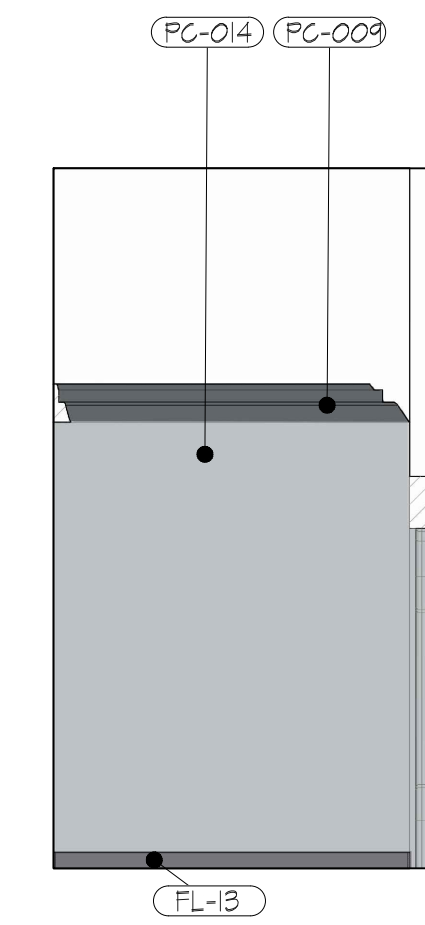
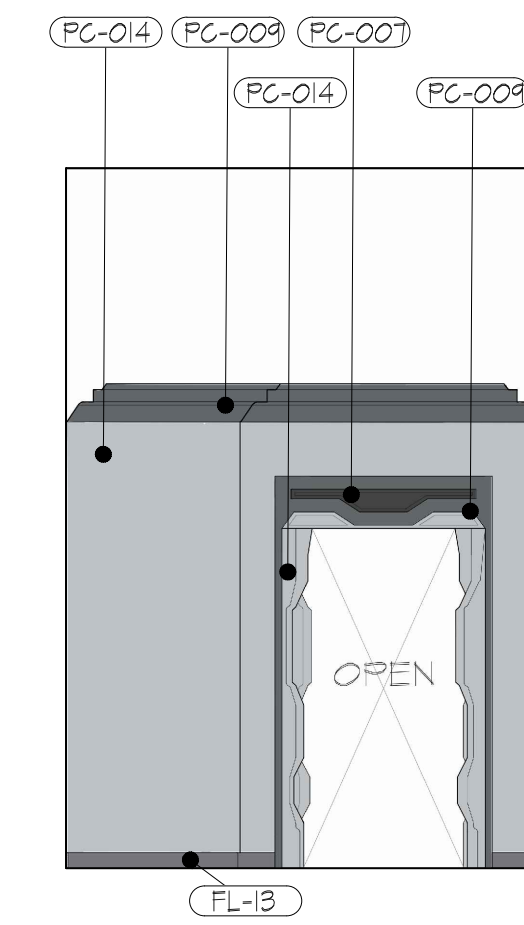
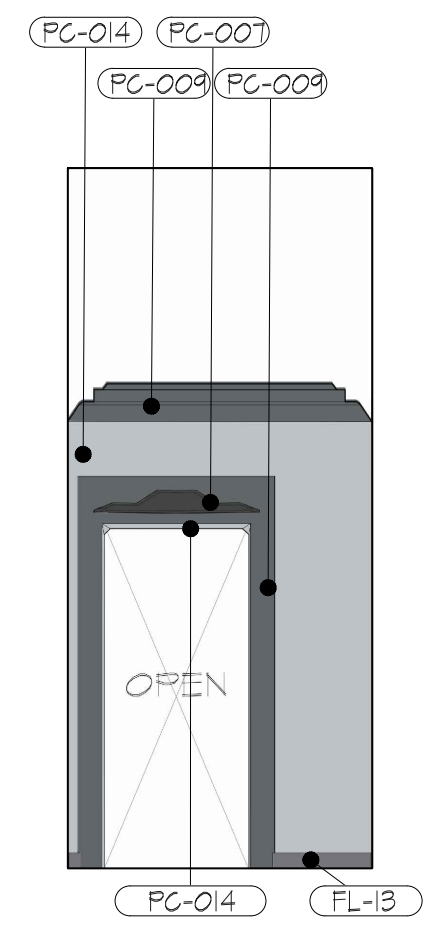
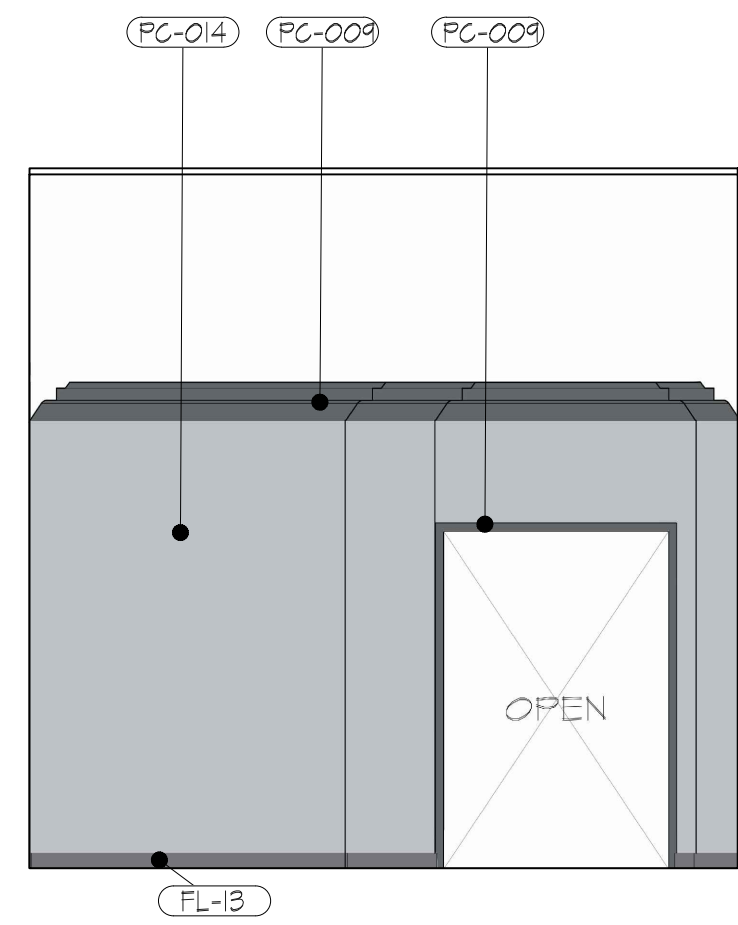
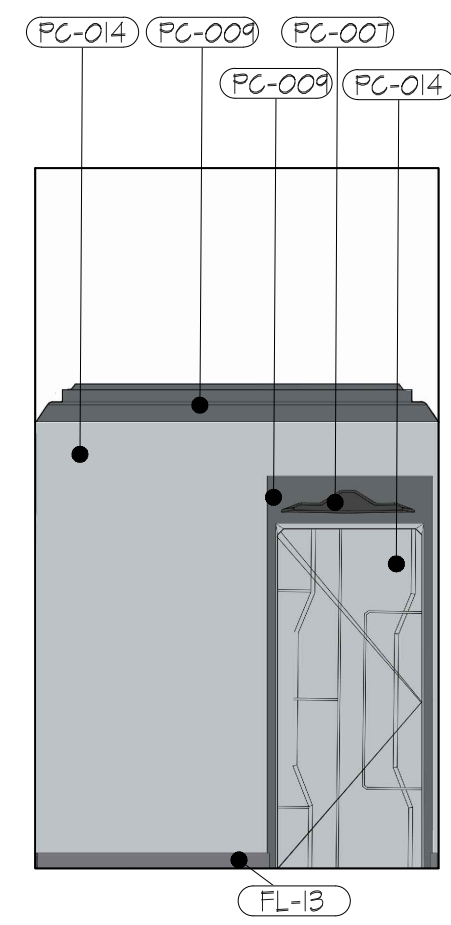


NOTES:

- (PC-007) - SATO69 IRON ORE
- (PC-008) - SATO15 WEB GRAY
- (PC-014) - SW6254 LAZY GRAY
- (FL-11) - FLORAL WHITE BASE TRIM
- (FL-13) - SUNSMOKE BASE TRIM
- (MS-03) - APPLIED WALL GRAPHIC

RUSSELL C. DAVIS  
PLANETARIUM

THIS DOCUMENT CONTAINS COPYRIGHT MATERIAL AND TRADE SECRET INFORMATION BELONGING TO FALCON'S TREEHOUSE AND ITS CLIENT AS NOTED ON PACKAGE. ANY UNAUTHORIZED USE, DISCLOSURE, REPRODUCTION OR PUBLICATION OF ANY OF THE INFORMATION CONTAINED HEREIN MAY RESULT IN LIABILITY UNDER APPLICABLE LAWS.



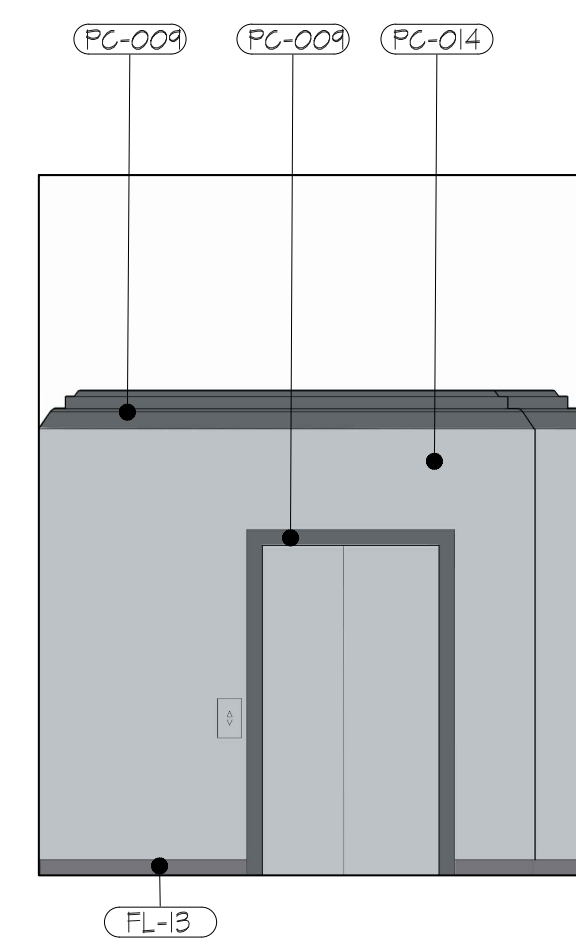
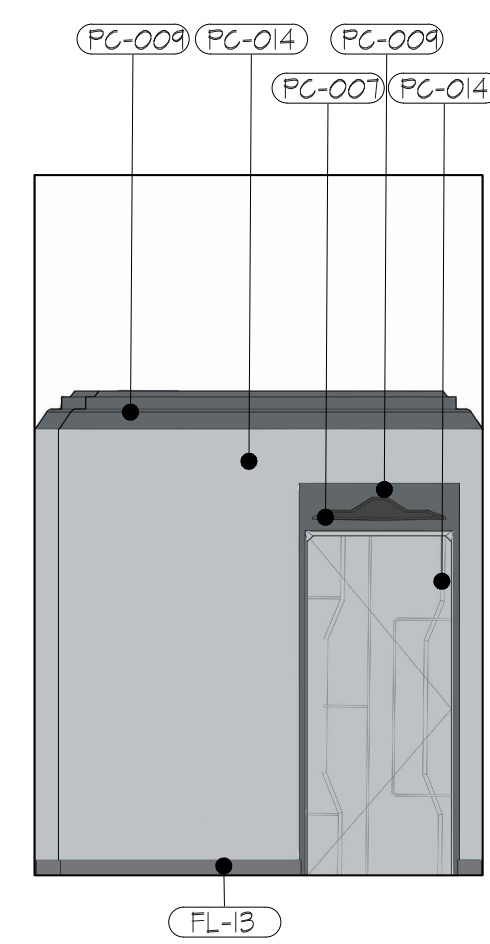
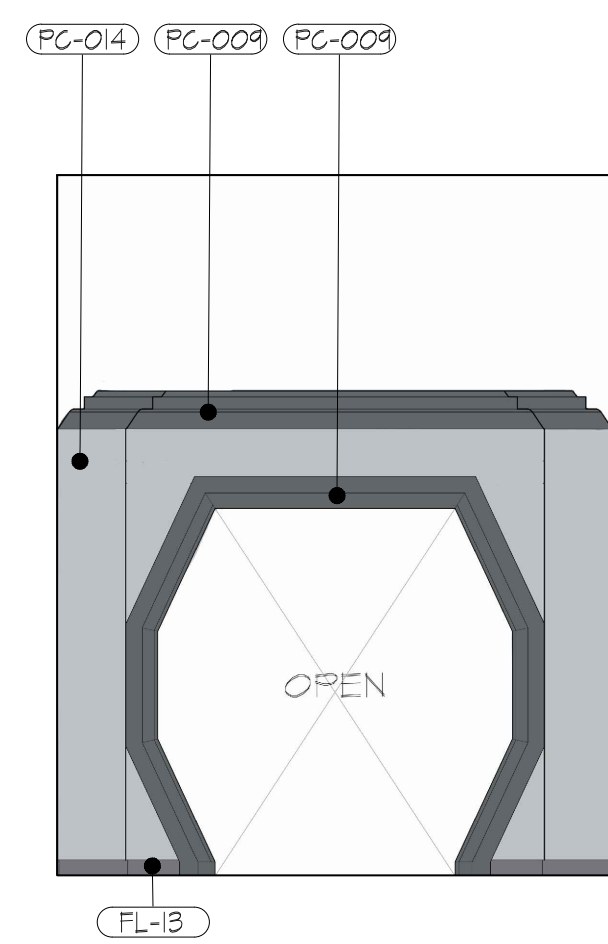
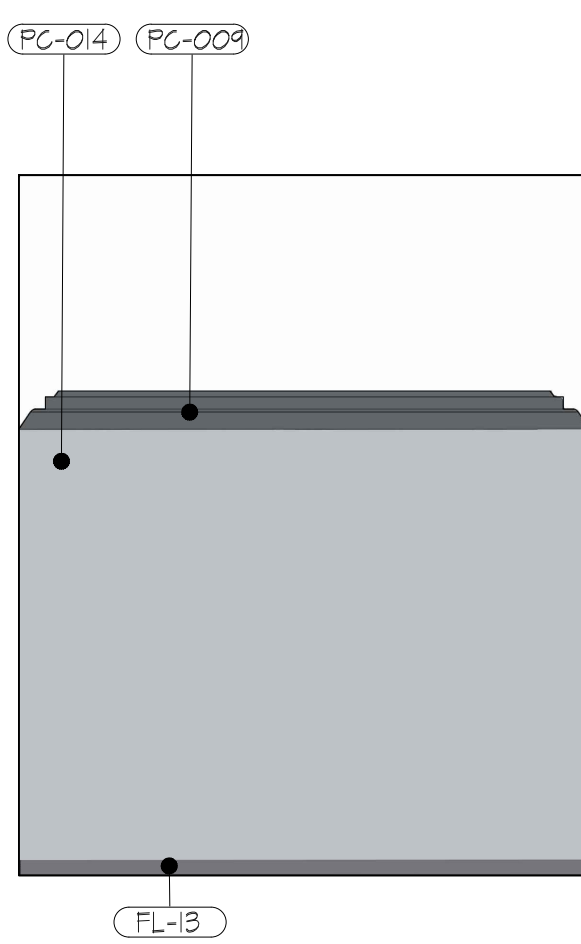
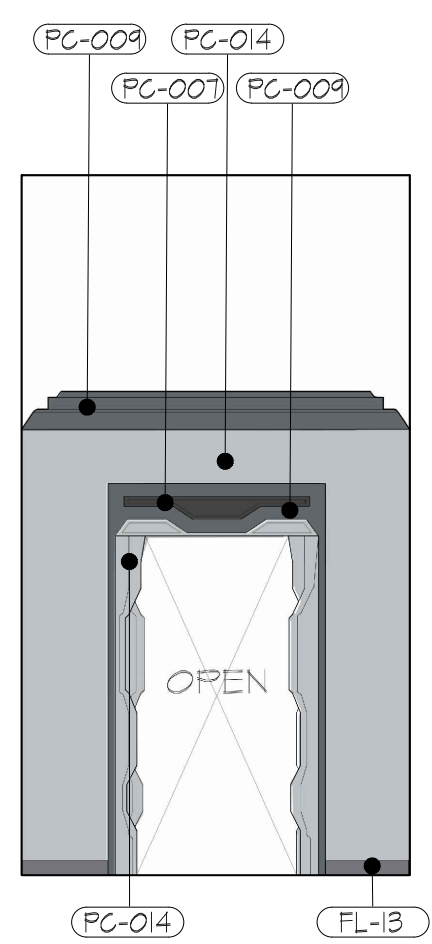
ELEVATION 3.2  
SCALE: 1/4" = 1'  
D-301

ELEVATION 3.3  
SCALE: 1/4" = 1'  
D-301

ELEVATION 3.4  
SCALE: 1/4" = 1'  
D-301

ELEVATION 3.5  
SCALE: 1/4" = 1'  
D-301

ELEVATION 3.6  
SCALE: 1/4" = 1'  
D-301



ELEVATION 3.7  
SCALE: 1/4" = 1'  
D-301

ELEVATION 3.8  
SCALE: 1/4" = 1'  
D-301

ELEVATION 3.9  
SCALE: 1/4" = 1'  
D-301

ELEVATION 3.10  
SCALE: 1/4" = 1'  
D-301

ELEVATION 3.11  
SCALE: 1/4" = 1'  
D-301

JACKSON  
PLANETARIUM

PHASE: 00% DESIGN DEVELOPMENT - SPACE STATION

DRAWING TITLE:

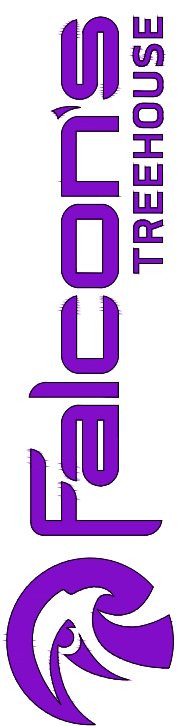
ZONES 1, 2, & 3

COLOR ELEVATIONS

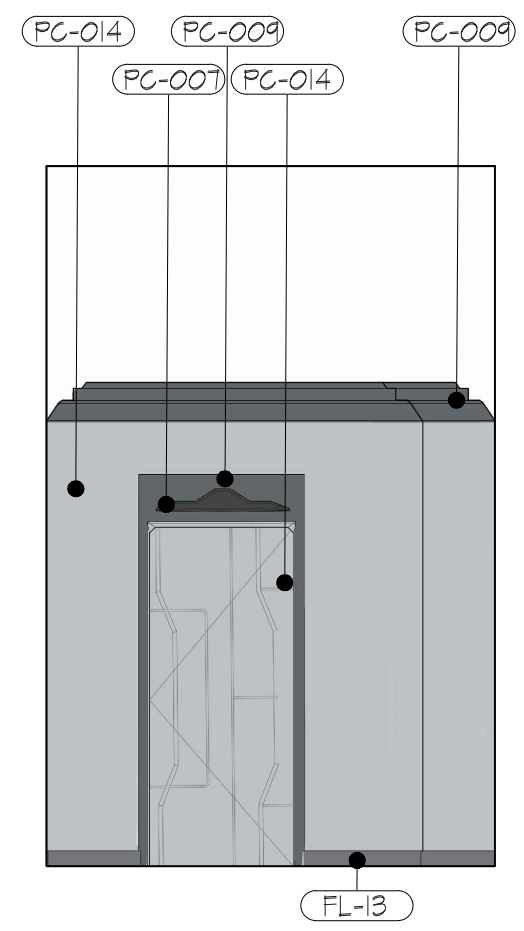
SCALE: AS NOTED

DATE: 01-31-2025

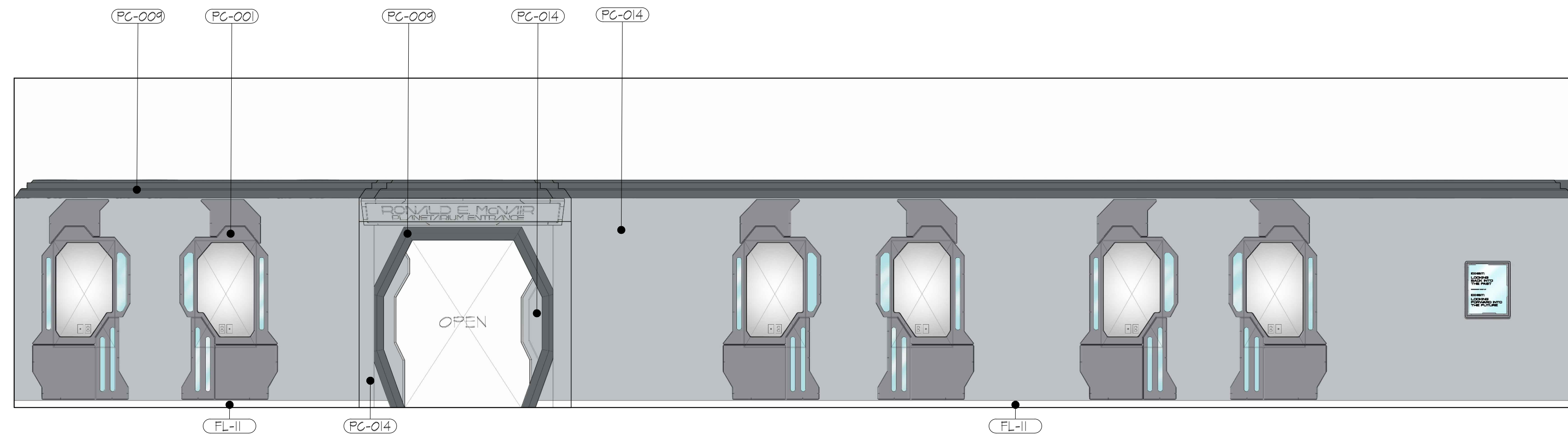
DWG NO.: D-301



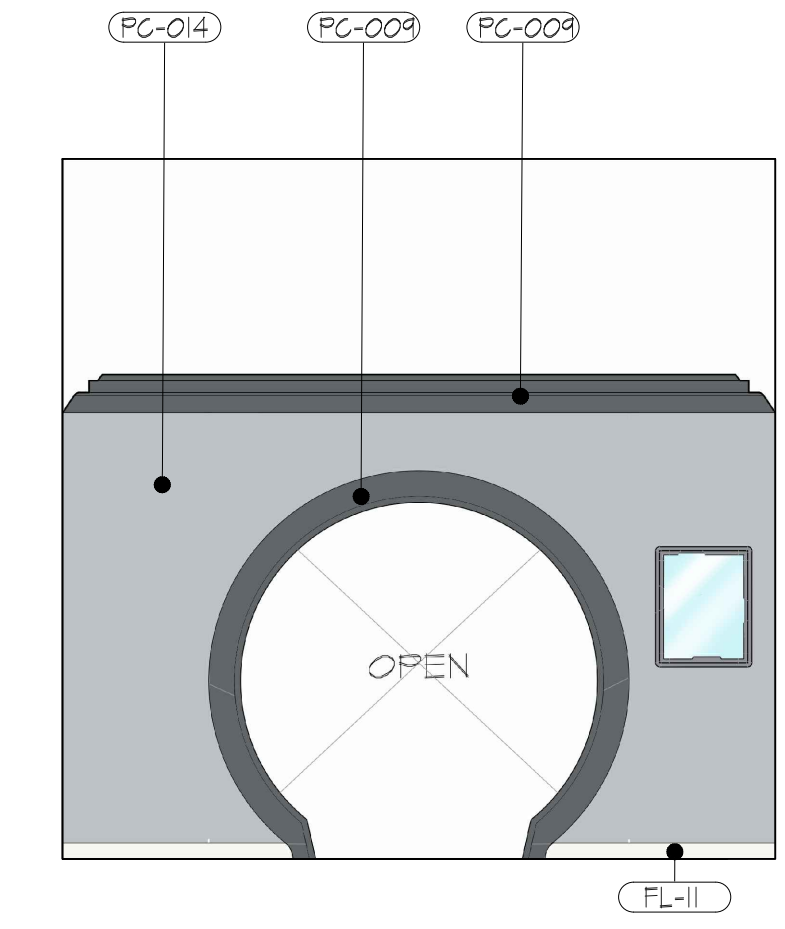




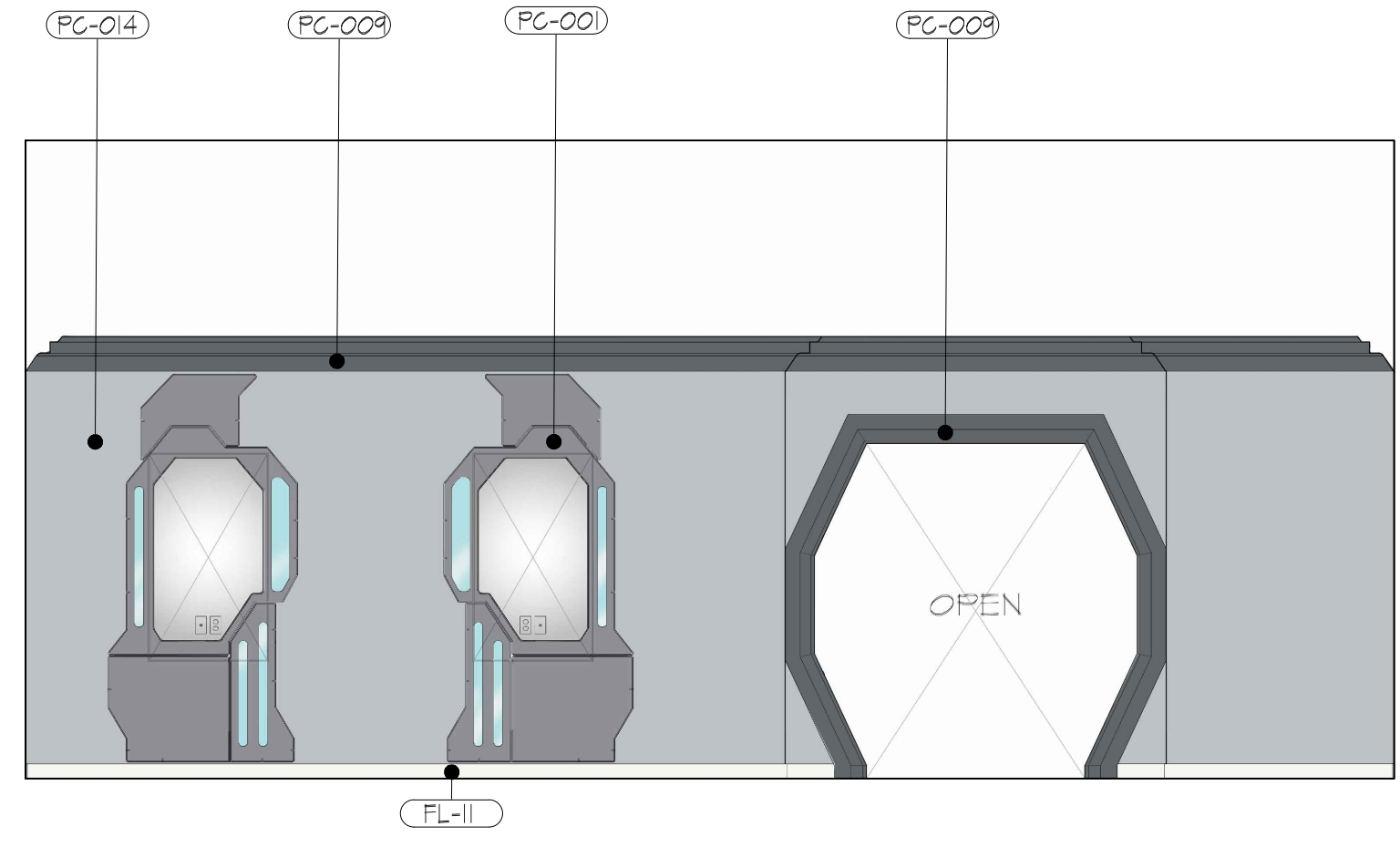
ELEVATION 3.12  
SCALE: 1/4" = 1'  
D-302



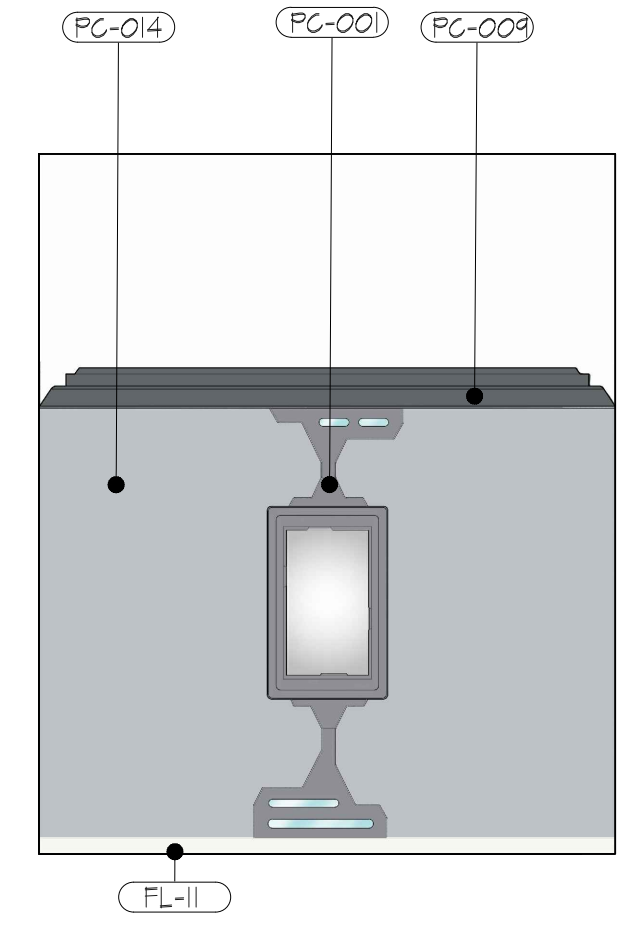
ELEVATION 3.13  
SCALE: 1/4" = 1'  
D-302



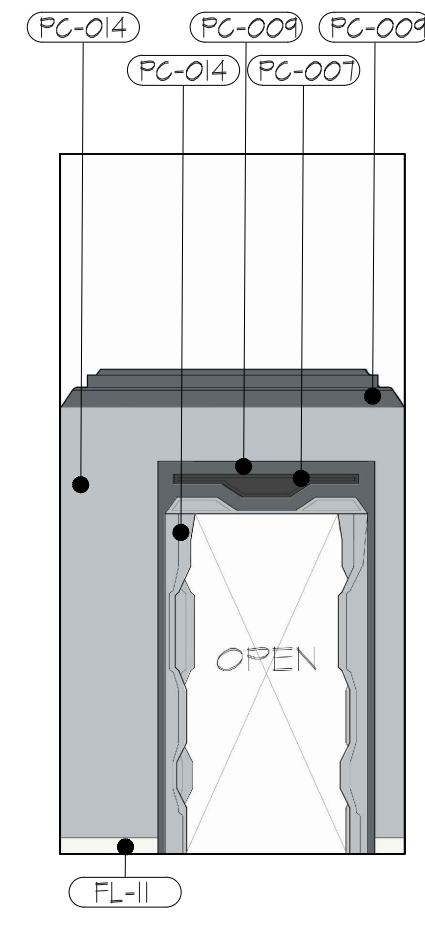
ELEVATION 3.14  
SCALE: 1/4" = 1'  
D-302



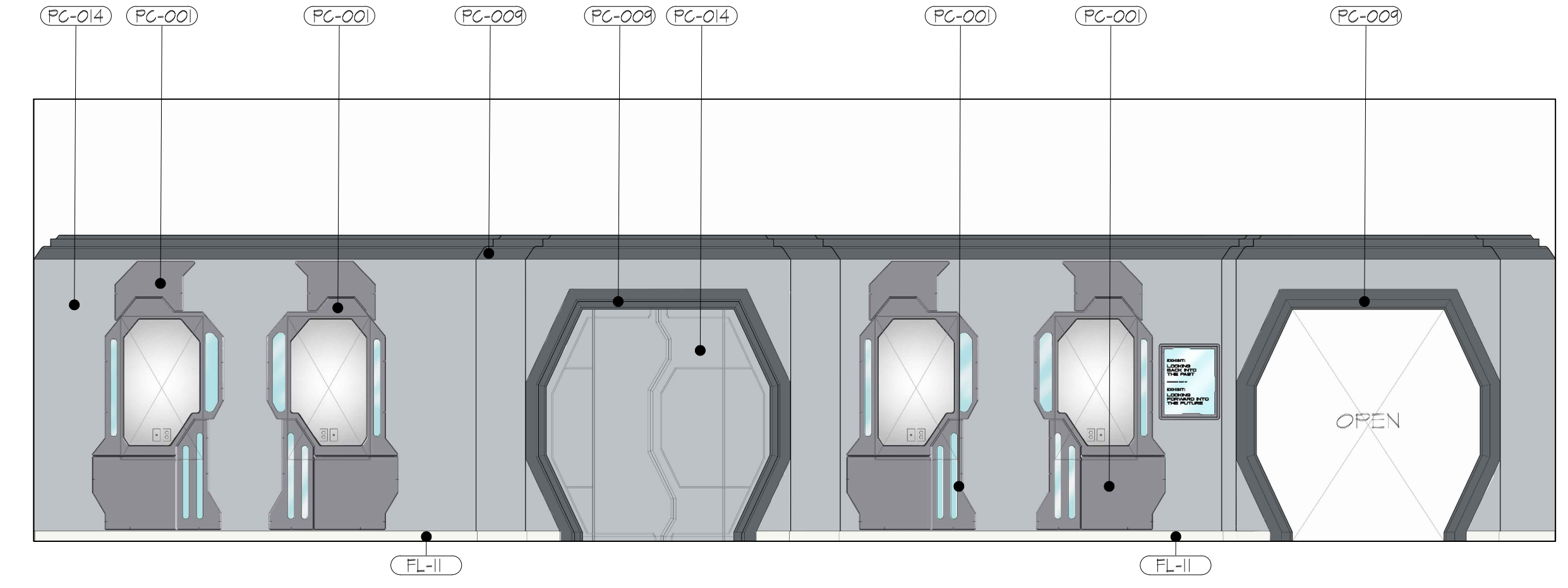
ELEVATION 3.15  
SCALE: 1/4" = 1'  
D-302



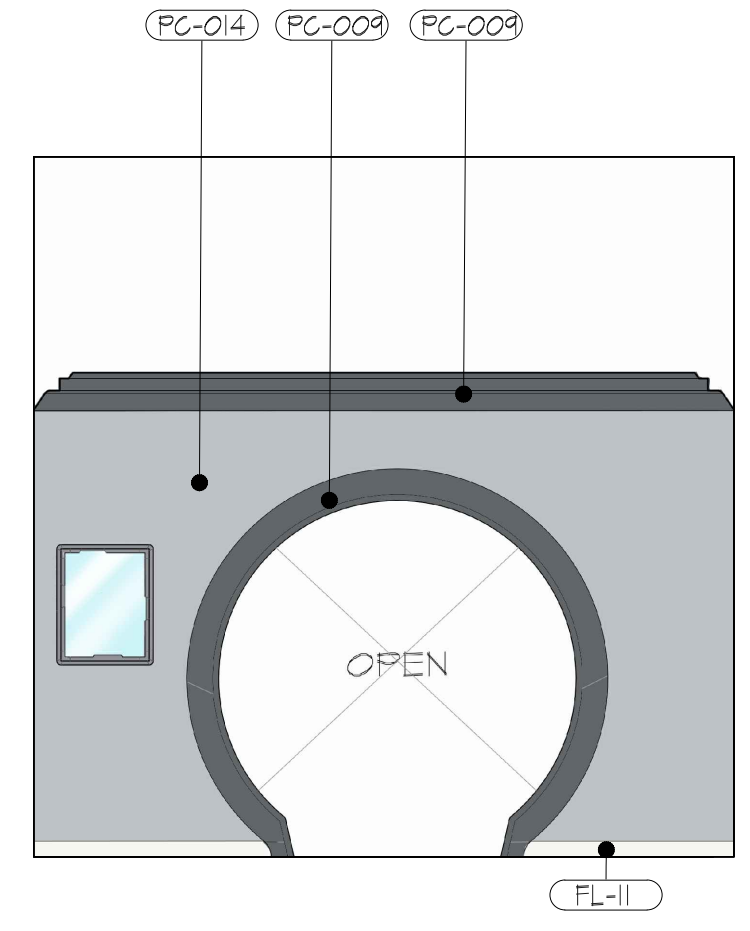
ELEVATION 3.16  
SCALE: 1/4" = 1'  
D-302



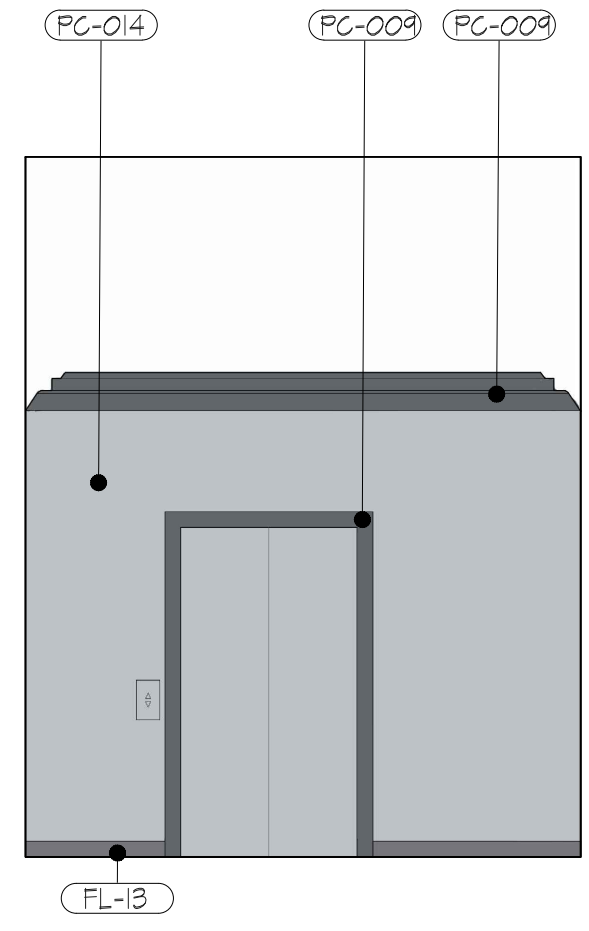
ELEVATION 3.17  
SCALE: 1/4" = 1'  
D-302



ELEVATION 3.18  
SCALE: 1/4" = 1'  
D-302



ELEVATION 3.19  
SCALE: 1/4" = 1'  
D-302



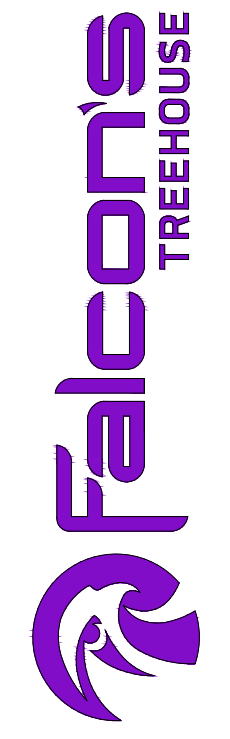
ELEVATION 3.20  
SCALE: 1/4" = 1'  
D-302

- NOTES:
- PC-001 - KYDEX BAYOU 53260
  - PC-007 - SAT069 IRON ORE
  - PC-009 - SAT075 WEB GRAY
  - PC-010 - SAT072 ONLINE
  - PC-014 - SW6254 LAZY GRAY
  - FL-11 - FLORAL WHITE BASE TRIM
  - FL-13 - GUNSMOKE BASE TRIM

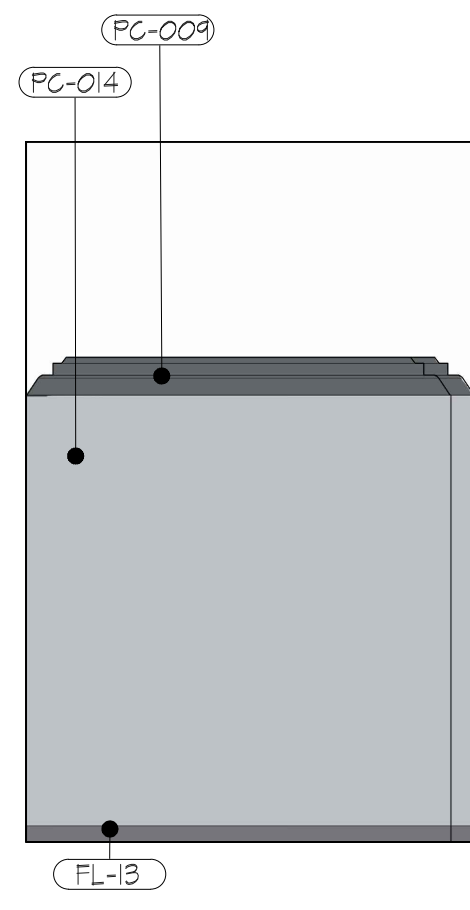
RUSSELL C. DAVIS  
PLANETARIUM

THIS DOCUMENT CONTAINS COPYRIGHT MATERIAL AND TRADE SECRET INFORMATION BELONGING TO FALCON'S TREEHOUSE AND ITS CLIENT AS NOTED ON PACKAGE. ANY UNAUTHORIZED USE, DISCLOSURE, REPRODUCTION OR PUBLICATION OF ANY OF THE INFORMATION CONTAINED HEREIN MAY RESULT IN LIABILITY UNDER APPLICABLE LAWS.

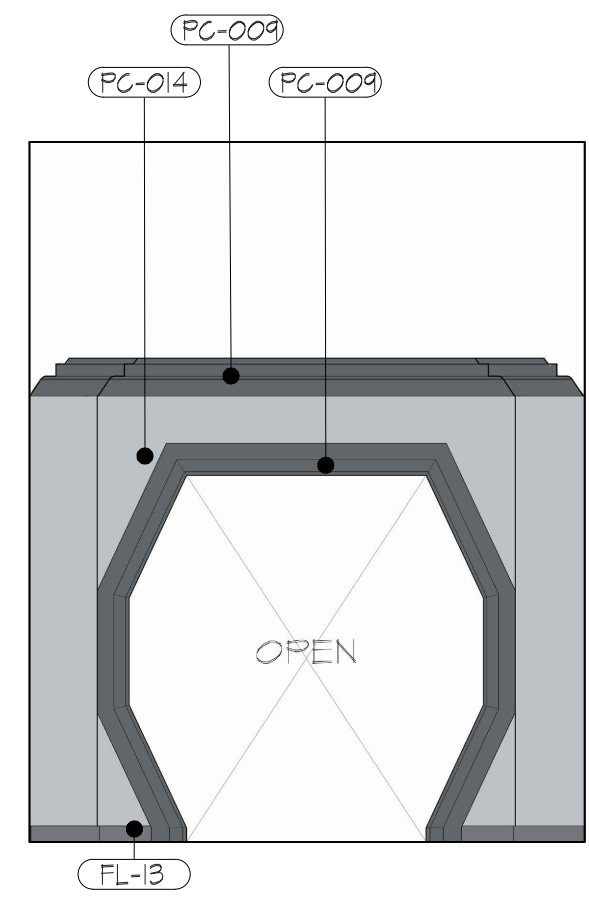
JACKSON PLANETARIUM	PHASE: 0008 DESIGN DEVELOPMENT - SPACE STATION
ZONE 3 COLOR ELEVATIONS	DRAWING TITLE:
DATE: 01-31-2025	SCALE: AS NOTED
DWG NO.: D-302	DWG NO.:



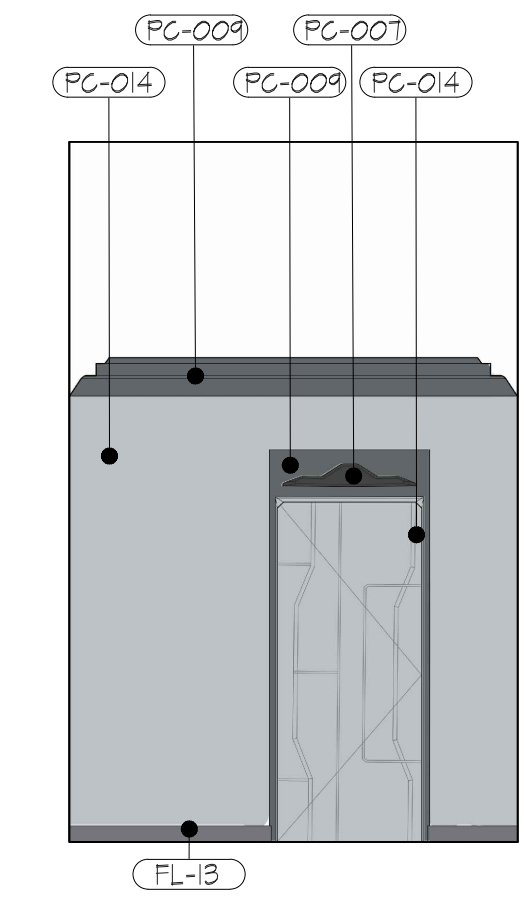




ELEVATION 3.21  
SCALE: 1/4" = 1'  
- D-303



ELEVATION 3.22  
SCALE: 1/4" = 1'  
- D-303



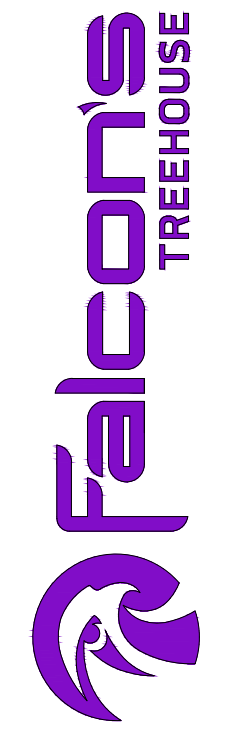
ELEVATION 3.23  
SCALE: 1/4" = 1'  
- D-303

- NOTES:
- PC-007 - SATO69 IRON ORE
  - PC-009 - SATO15 WEB GRAY
  - PC-014 - SW6254 LAZY GRAY
  - FL-13 - SUNSMOKE BASE TRIM

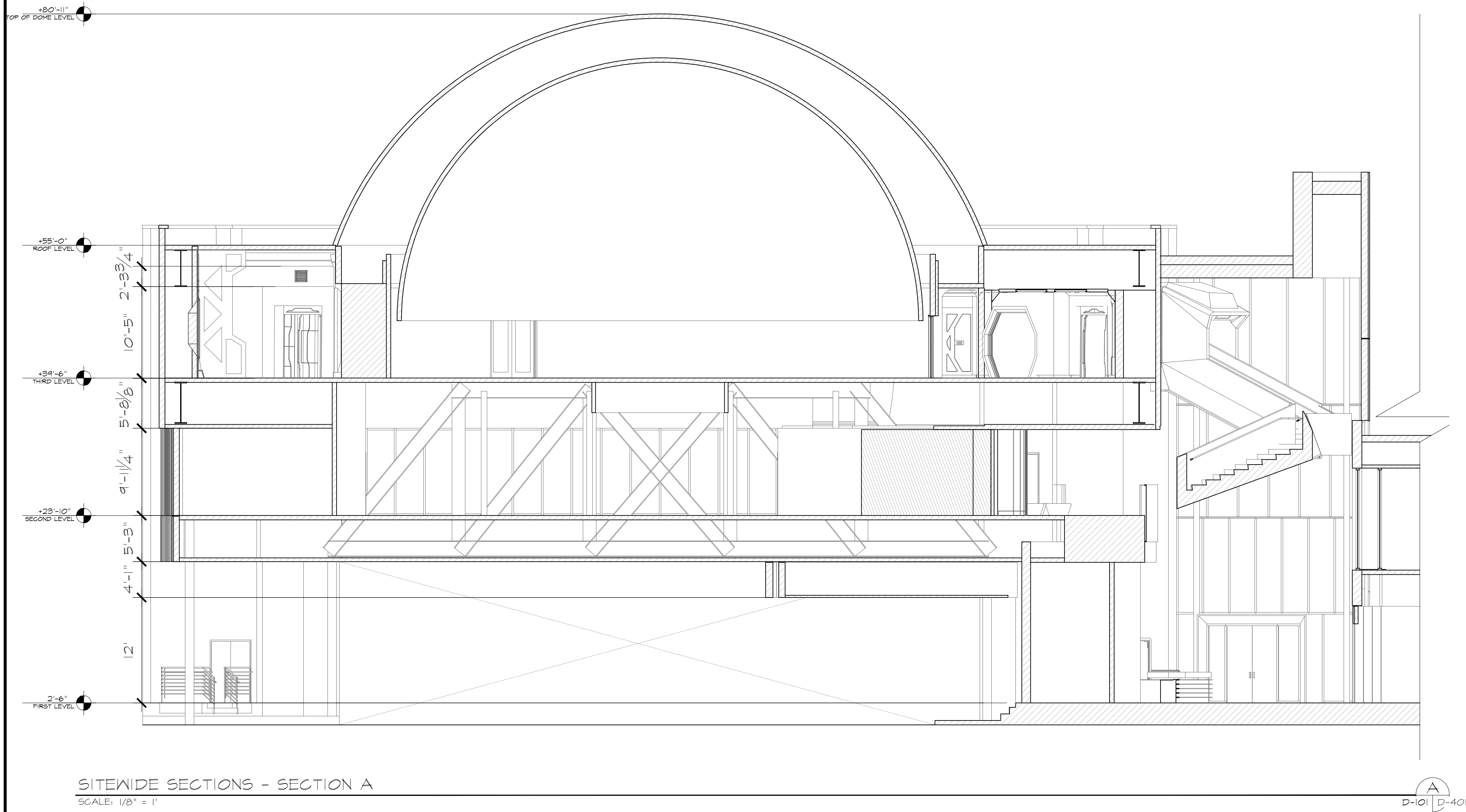
RUSSELL C. DAVIS  
PLANETARIUM

THIS DOCUMENT CONTAINS COPYRIGHT MATERIAL AND TRADE SECRET INFORMATION BELONGING TO FALCON'S TREEHOUSE AND ITS CLIENT AS NOTED ON PACKAGE. ANY UNAUTHORIZED USE, DISCLOSURE, REPRODUCTION OR PUBLICATION OF ANY OF THE INFORMATION CONTAINED HEREIN MAY RESULT IN LIABILITY UNDER APPLICABLE LAWS.

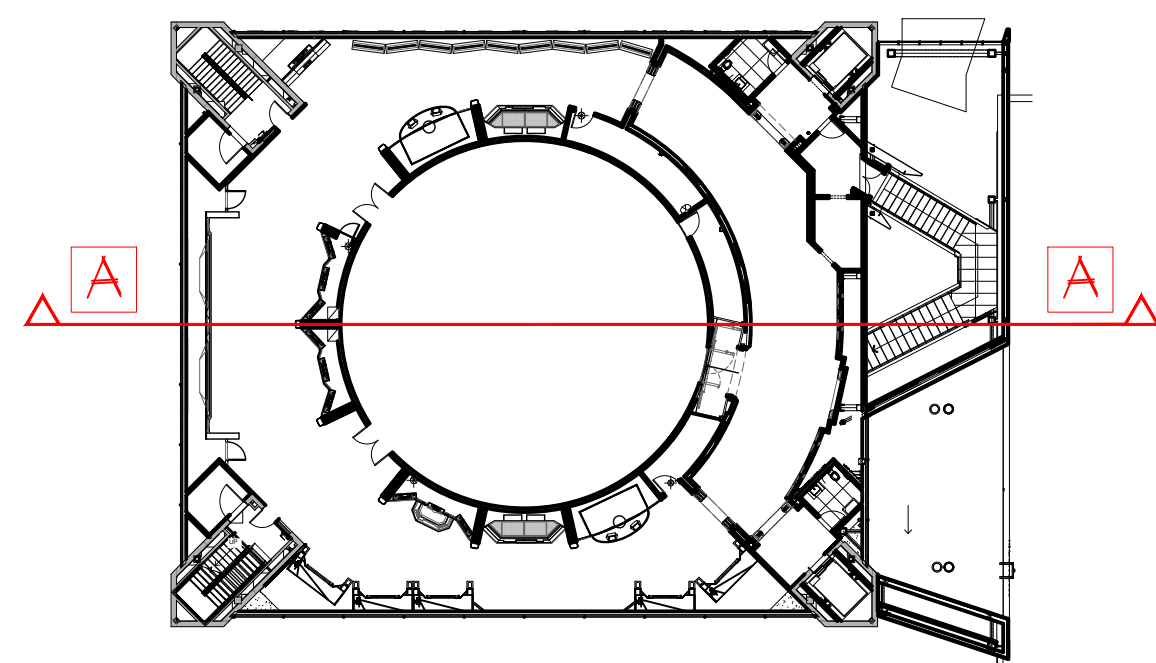
JACKSON PLANETARIUM		PHASE: 00% DESIGN DEVELOPMENT - SPACE STATION
ZONE 3 COLOR ELEVATIONS		DRAWING TITLE:
SCALE: AS NOTED	DATE: 01-31-2025	
DWG NO.: D-303		







SITEWIDE SECTIONS - SECTION A  
SCALE: 1/8" = 1'



KEY PLAN

RUSSELL C. DAVIS  
PLANETARIUM

THIS DOCUMENT CONTAINS COPYRIGHT MATERIAL AND TRADE SECRET INFORMATION BELONGING TO FALCON'S TREEHOUSE AND ITS CLIENT AS NOTED ON PACKAGE. ANY UNAUTHORIZED USE, DISCLOSURE, DISSEMINATION OR PUBLICATION OF ANY OF THE INFORMATION CONTAINED HEREIN MAY RESULT IN LIABILITY UNDER APPLICABLE LAWS.

JACKSON  
PLANETARIUM

PHASE: 000% DESIGN DEVELOPMENT - SPACE STATION

DRAWING TITLE:

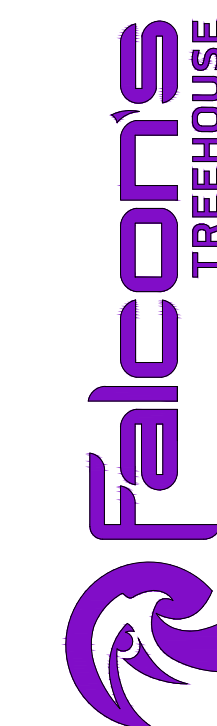
SITEWIDE SECTIONS  
SECTION A

SCALE: AS NOTED

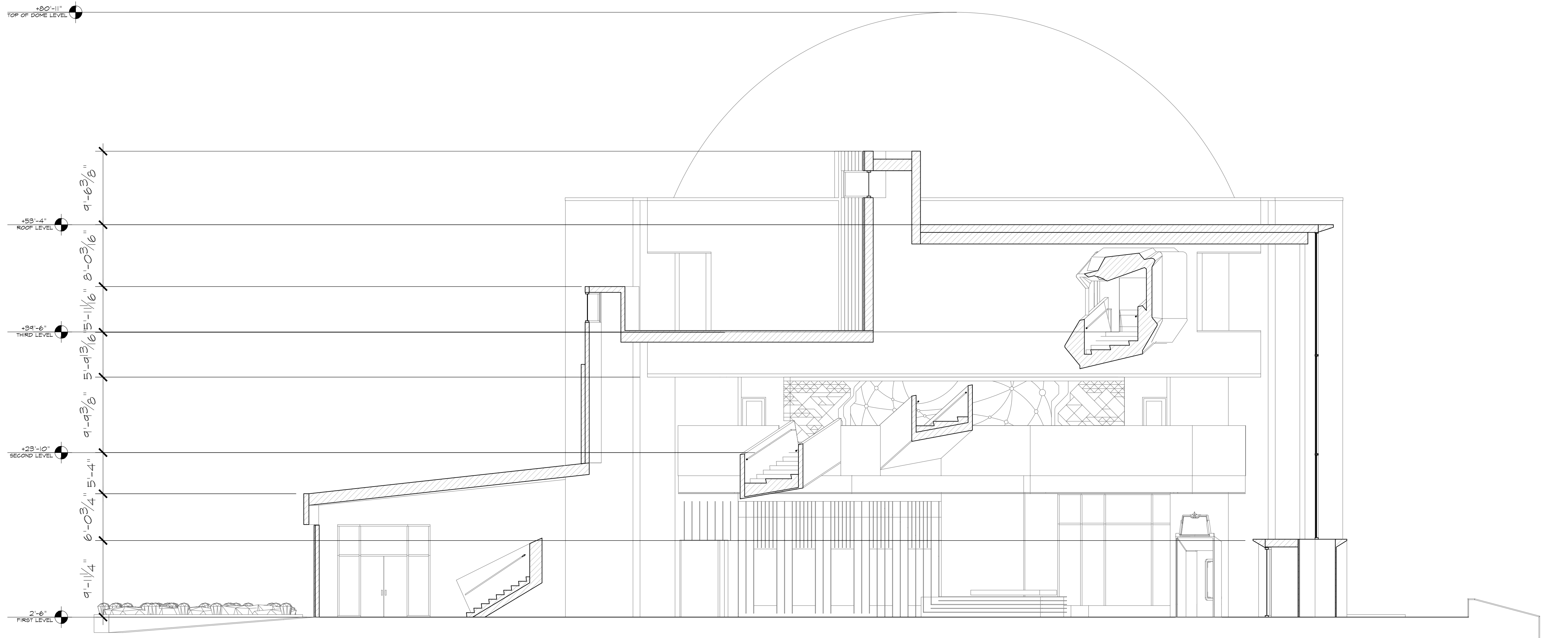
DWG NO.: D-401

DATE: 01-31-2025

DWG NO.: D-401

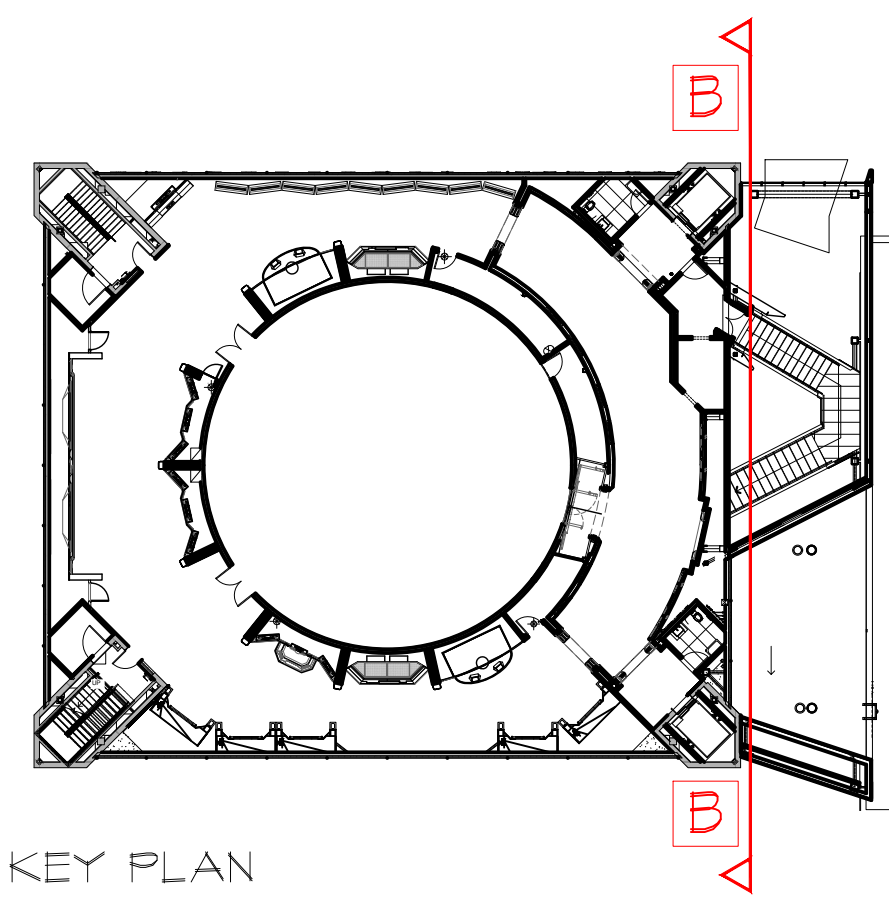






SITEWIDE SECTIONS - SECTION B  
SCALE: 1/8" = 1'

D-101 | D-402



KEY PLAN

RUSSELL C. DAVIS  
PLANETARIUM

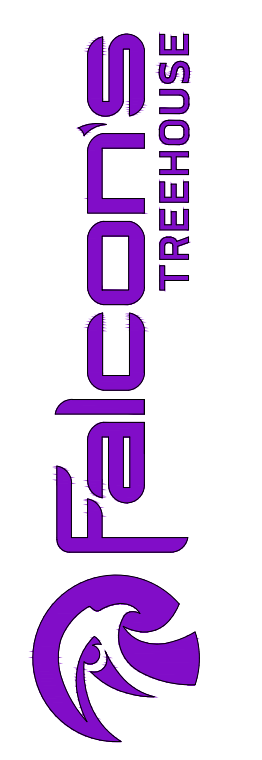
THIS DOCUMENT CONTAINS COPYRIGHT MATERIAL AND TRADE SECRET INFORMATION BELONGING TO FALCON'S TREEHOUSE AND ITS CLIENT AS NOTED ON PACKAGE. ANY UNAUTHORIZED USE, DISCLOSURE, DISSEMINATION OR PUBLICATION OF ANY OF THE INFORMATION CONTAINED HEREIN MAY RESULT IN LIABILITY UNDER APPLICABLE LAWS.

JACKSON  
PLANETARIUM

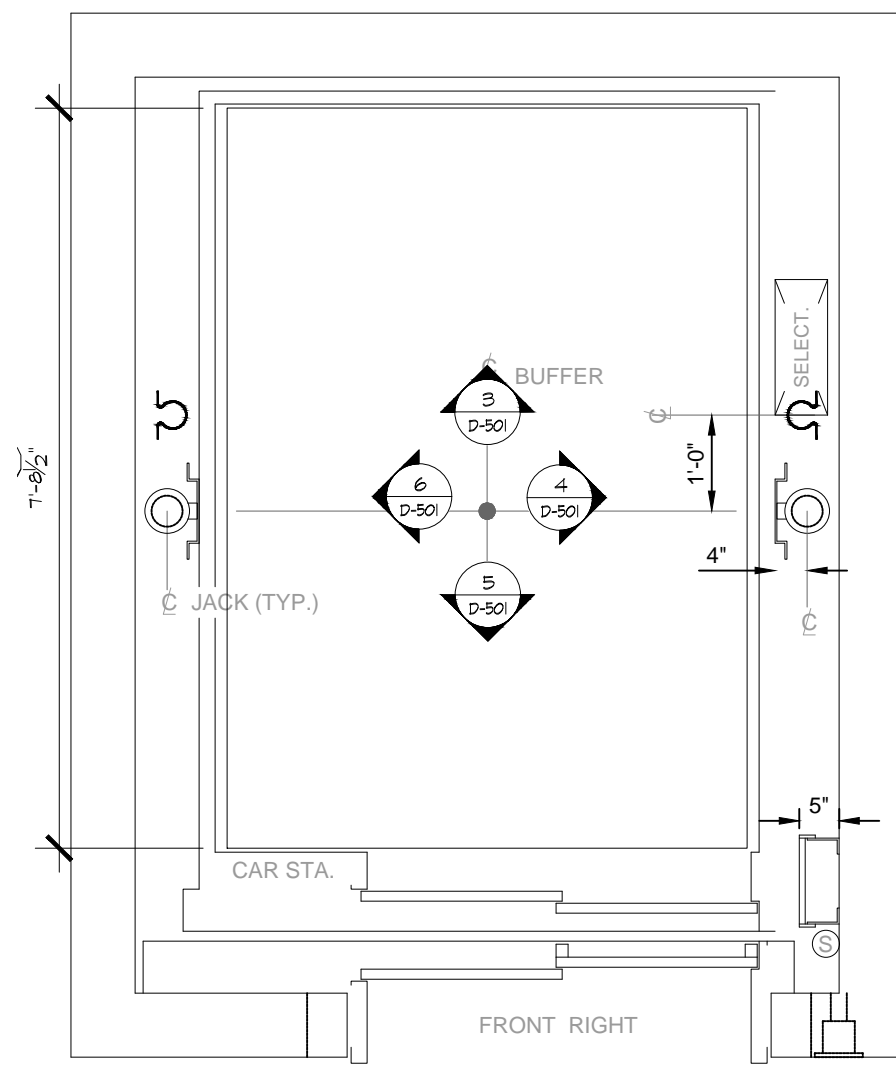
PHASE: 00% DESIGN DEVELOPMENT - SPACE STATION  
DRAWING TITLE:

SITEWIDE SECTIONS  
SECTION B

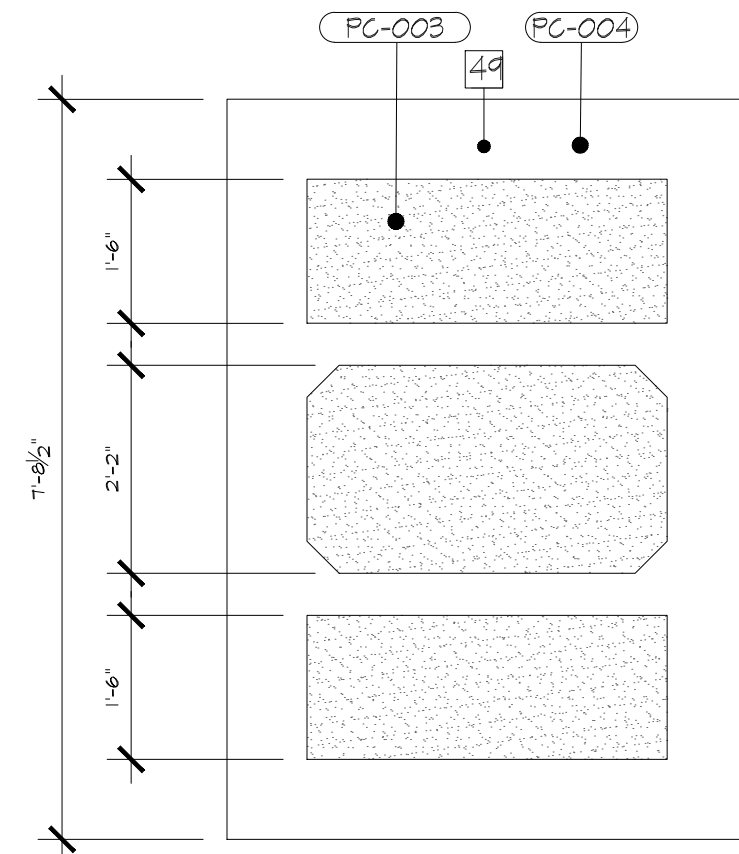
SCALE: AS NOTED  
DATE: 01-31-2025  
DWS NO.: D-402







ELEVATOR INTERIOR - PLAN  
SCALE: 1/2" = 1'  
D-101 | D-501



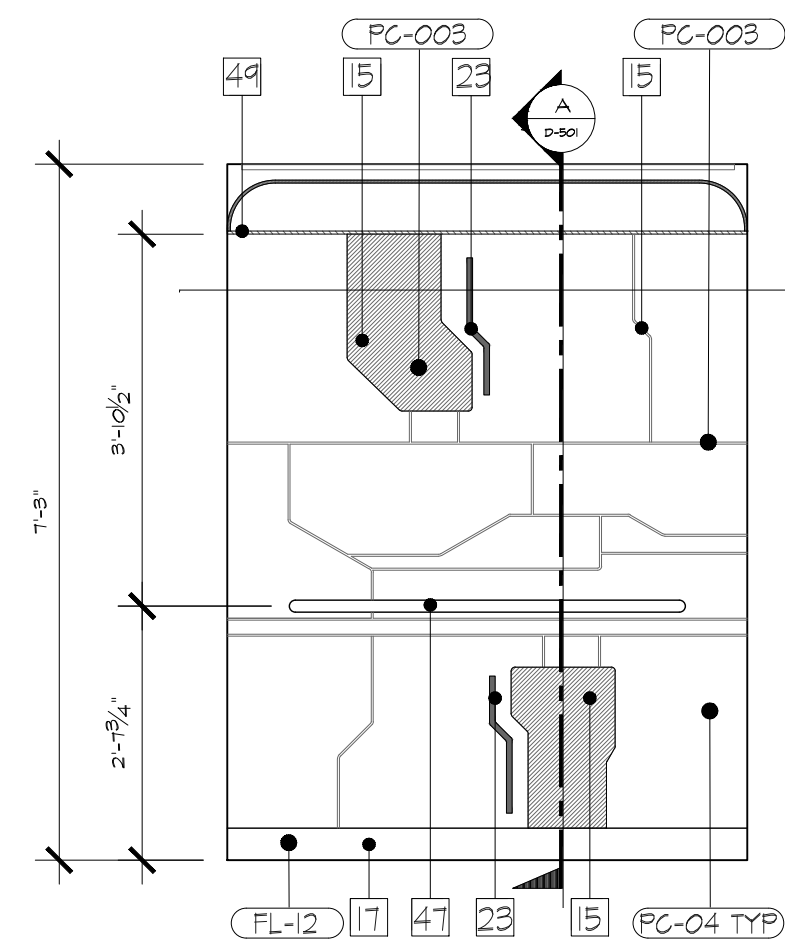
ELEVATOR INTERIOR - RCP  
SCALE: 1/2" = 1'  
2 | D-501

**GENERAL NOTE**  
SEE DESCENT ELEVATOR D-502 FOR REFERENCE IMAGE OF DESIGN INTENT WITH FINISH TAGS.

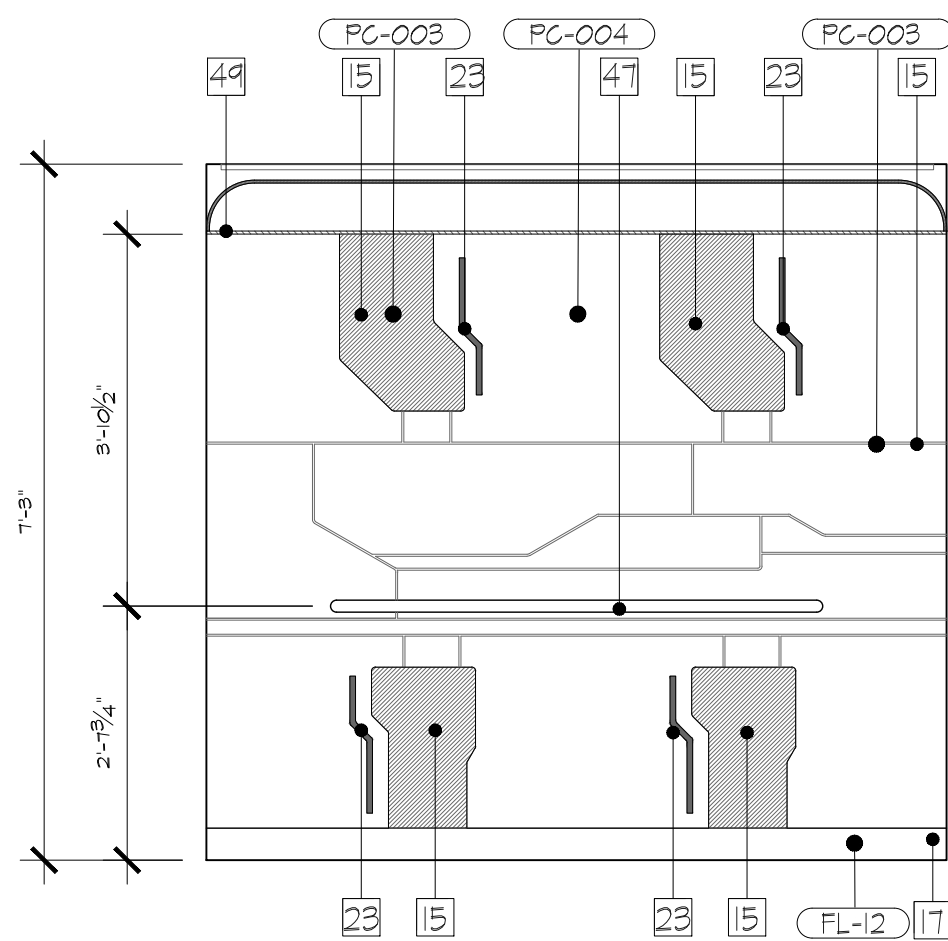
- NOTES:
- 5 - DIMENSIONAL SCENIC CLADDING IN LAYERED MDF CONSTRUCTION WITH THERMOFORMED KYDEX LAMINATE OR SIMILAR FINISH TREATMENT
  - 17 - RUBBER BASE MOLDING
  - 23 - RECESSED LED LIGHTING EFFECT WITH POLYCARBONATE DIFFUSER
  - 47 - ALUMINUM HAND RAILING
  - 49 - DIMENSIONAL MDF DROP CEILING WITH SCENIC PAINT TREATMENT - LED LIGHTING TO BE INTEGRATED INTO CEILING
  - PC-003 - KYDEX 53233 PORCH
  - PC-004 - KYDEX 53235 RAILING
  - FL-12 - BASEBOARD SILVER

RUSSELL C. DAVIS  
PLANETARIUM

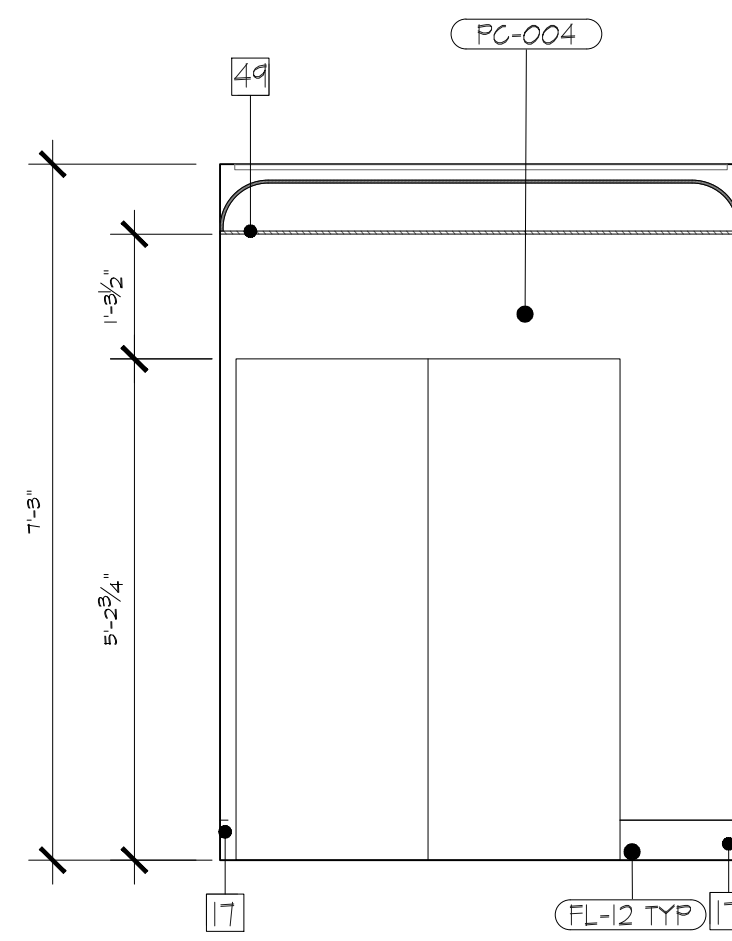
THIS DOCUMENT CONTAINS COPYRIGHT MATERIAL AND TRADE SECRET INFORMATION BELONGING TO FALCONS TREEHOUSE AND ITS CLIENT AS NOTED ON PACKAGE. ANY UNAUTHORIZED USE, DISCLOSURE, REPRODUCTION OR PUBLICATION OF ANY OF THE INFORMATION CONTAINED HEREIN MAY RESULT IN LIABILITY UNDER APPLICABLE LAWS.



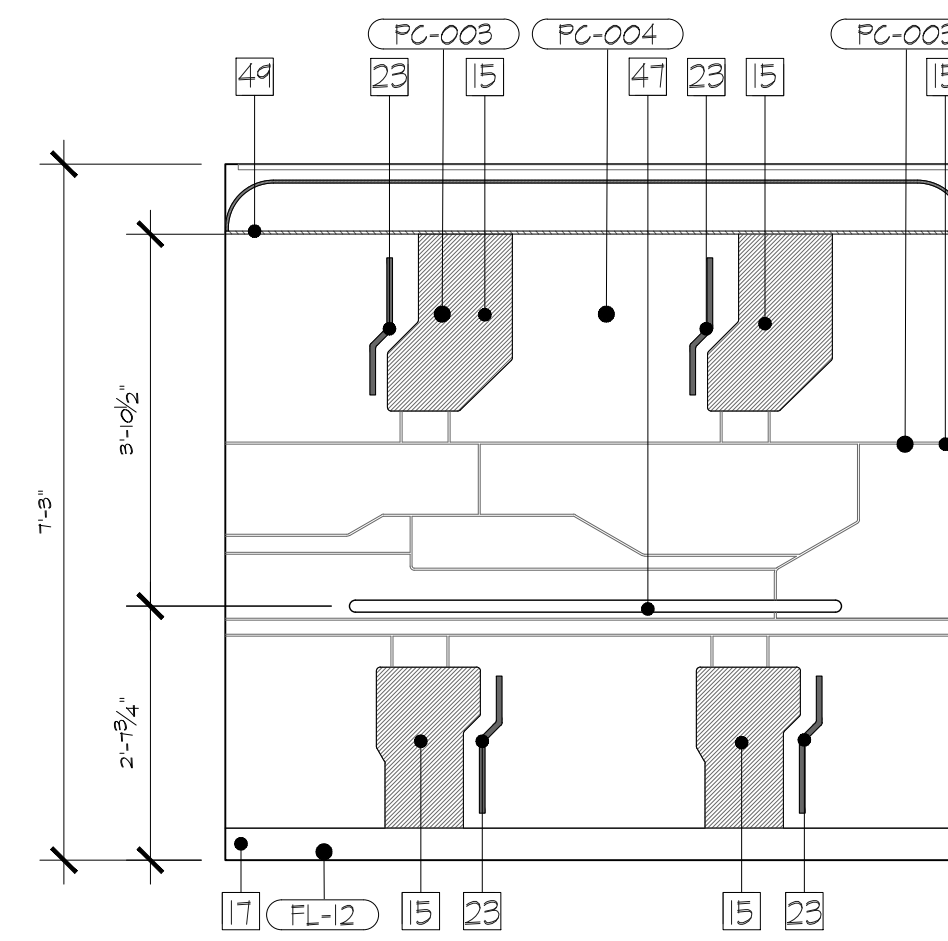
ELEVATOR INTERIOR - ELEVATION 3  
SCALE: 1/2" = 1'  
D-501 | D-501



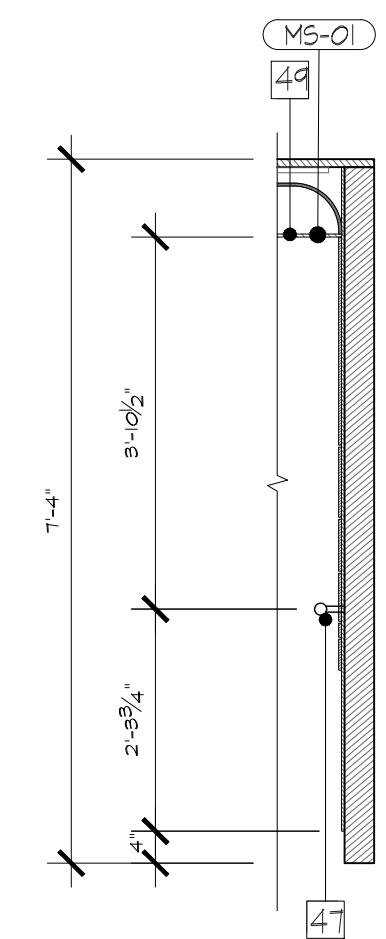
ELEVATOR INTERIOR - ELEVATION 4  
SCALE: 1/2" = 1'  
D-501 | D-501



ELEVATOR INTERIOR - ELEVATION 5  
SCALE: 1/2" = 1'  
D-501 | D-501



ELEVATOR INTERIOR - ELEVATION 6  
SCALE: 1/2" = 1'  
D-501 | D-501

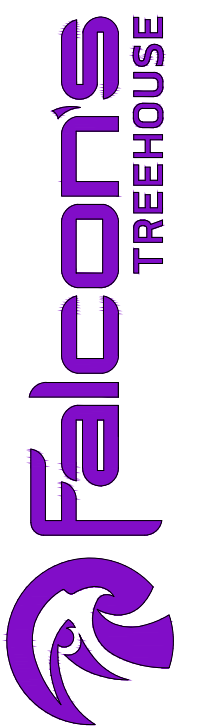


ELEVATOR INTERIOR - SECTION  
SCALE: 1/2" = 1'  
A | D-501 | D-501

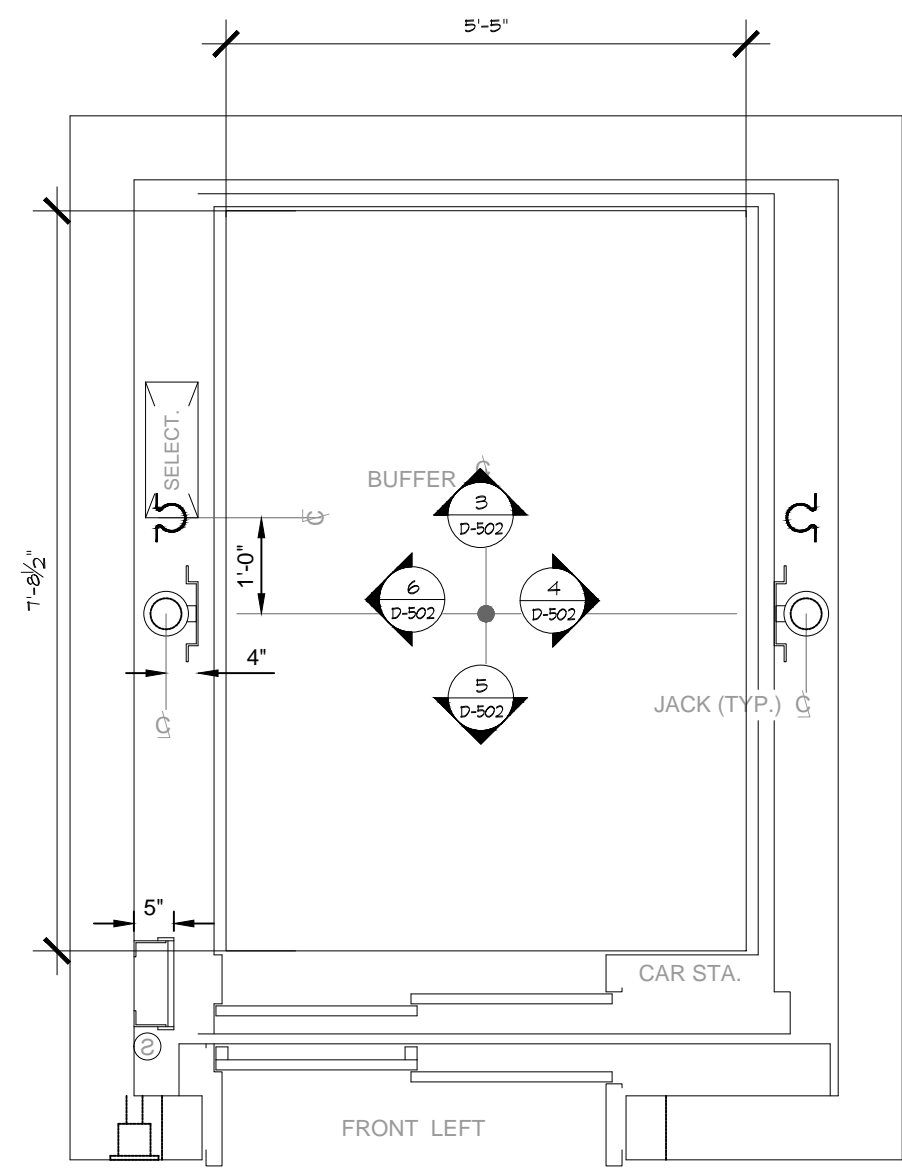
JACKSON  
PLANETARIUM

PHASE: 00% DESIGN DEVELOPMENT - SPACE STATION  
DRAWING TITLE: FIRST FLOOR DETAILS ASCENT ELEVATOR INTERIOR

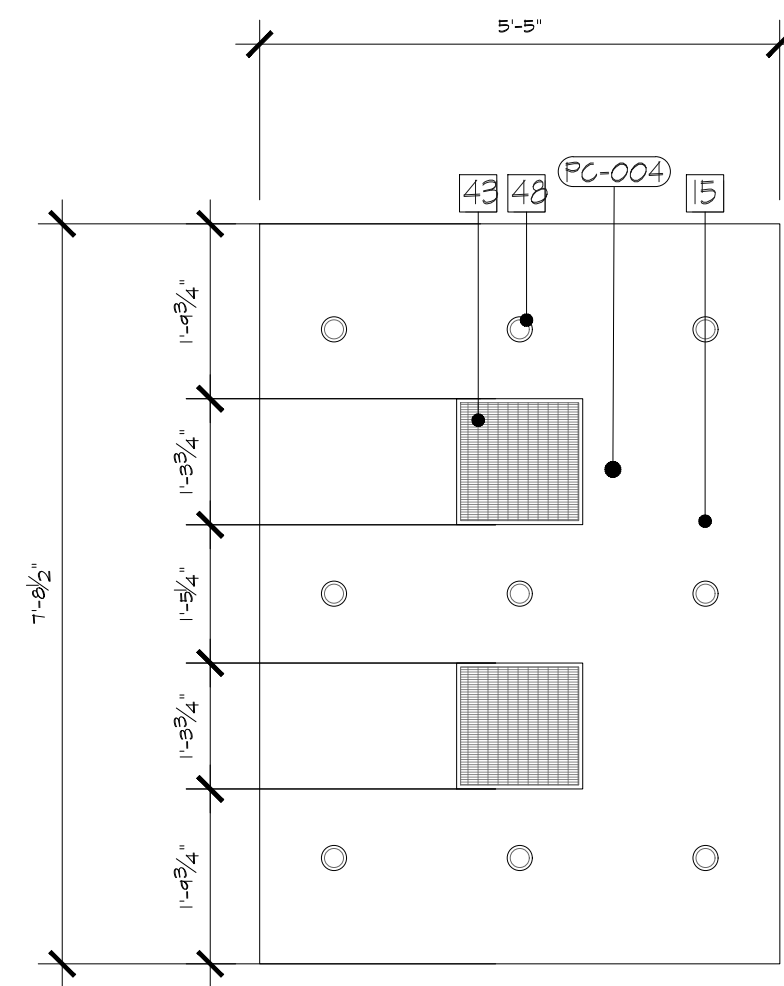
SCALE: AS NOTED  
DATE: 01-31-2025  
DWS NO.: D-501



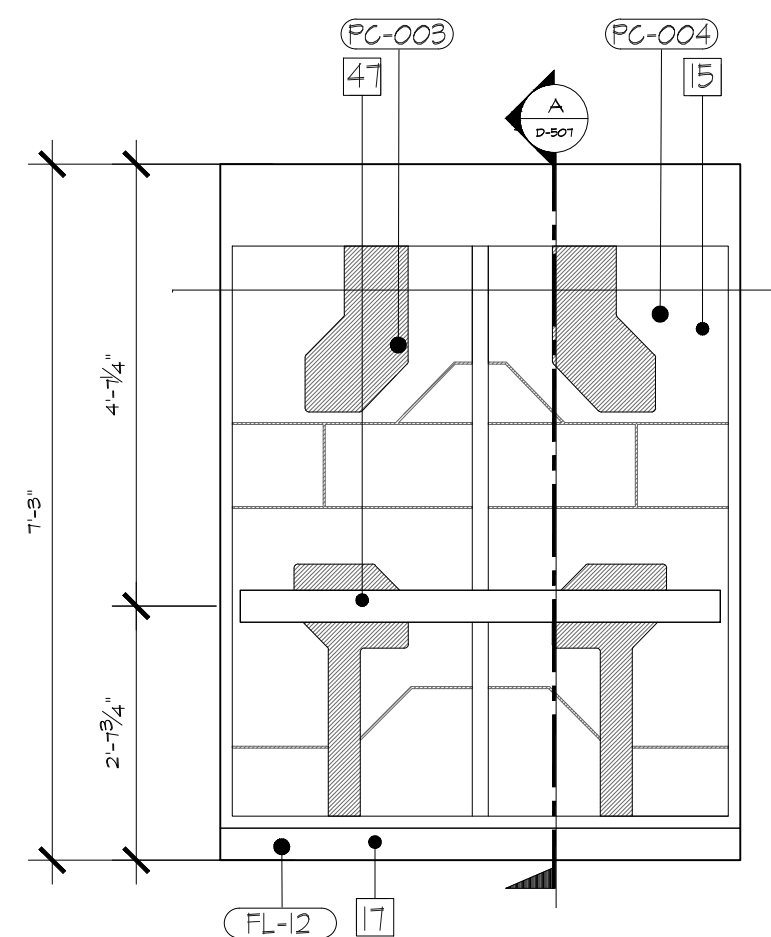




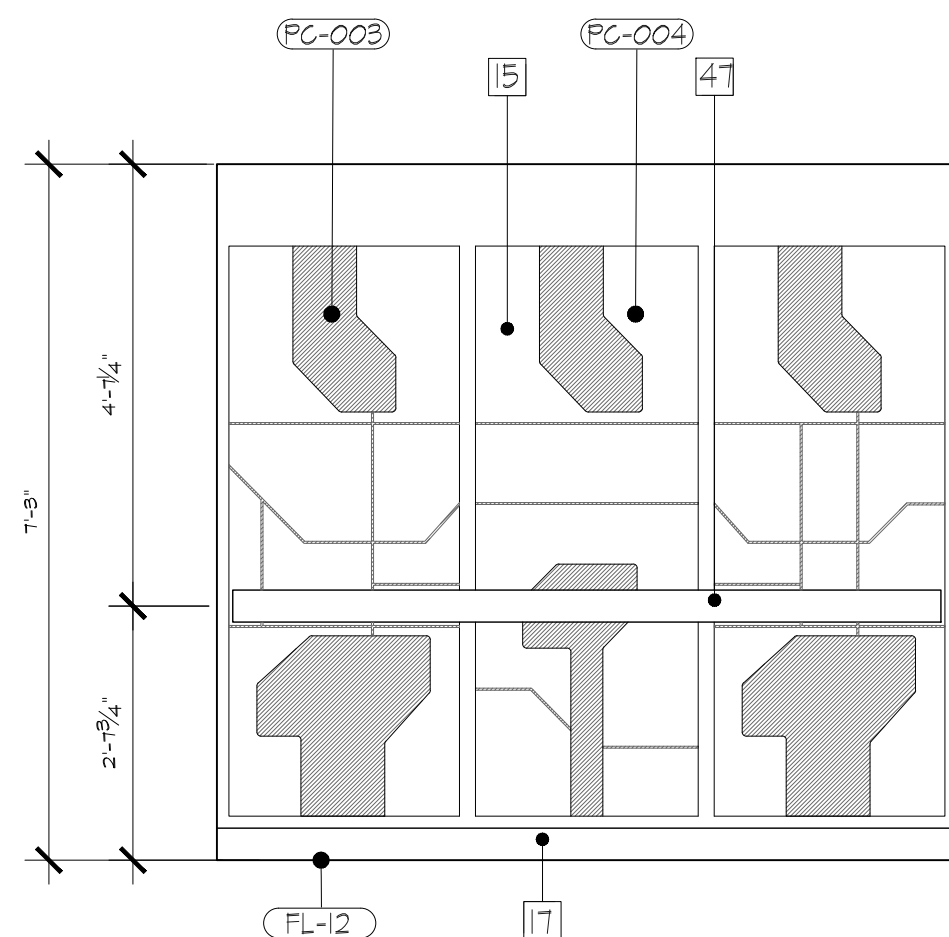
ELEVATOR INTERIOR - PLAN  
SCALE: 1/2" = 1" D-101 D-502



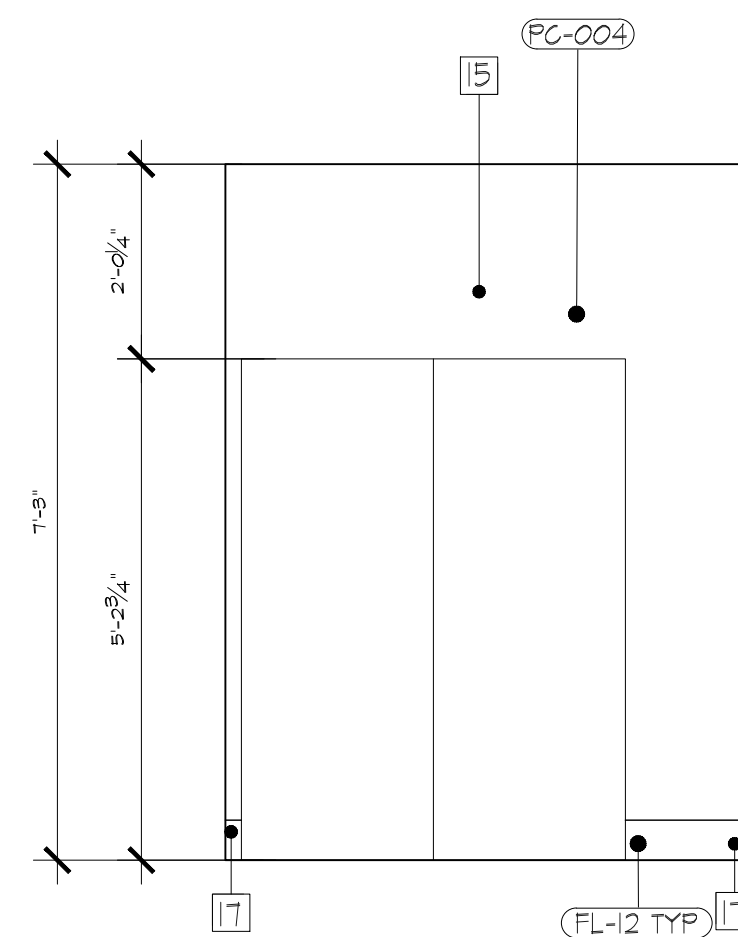
ELEVATOR INTERIOR - RCP  
SCALE: 1/2" = 1" 2 D-502



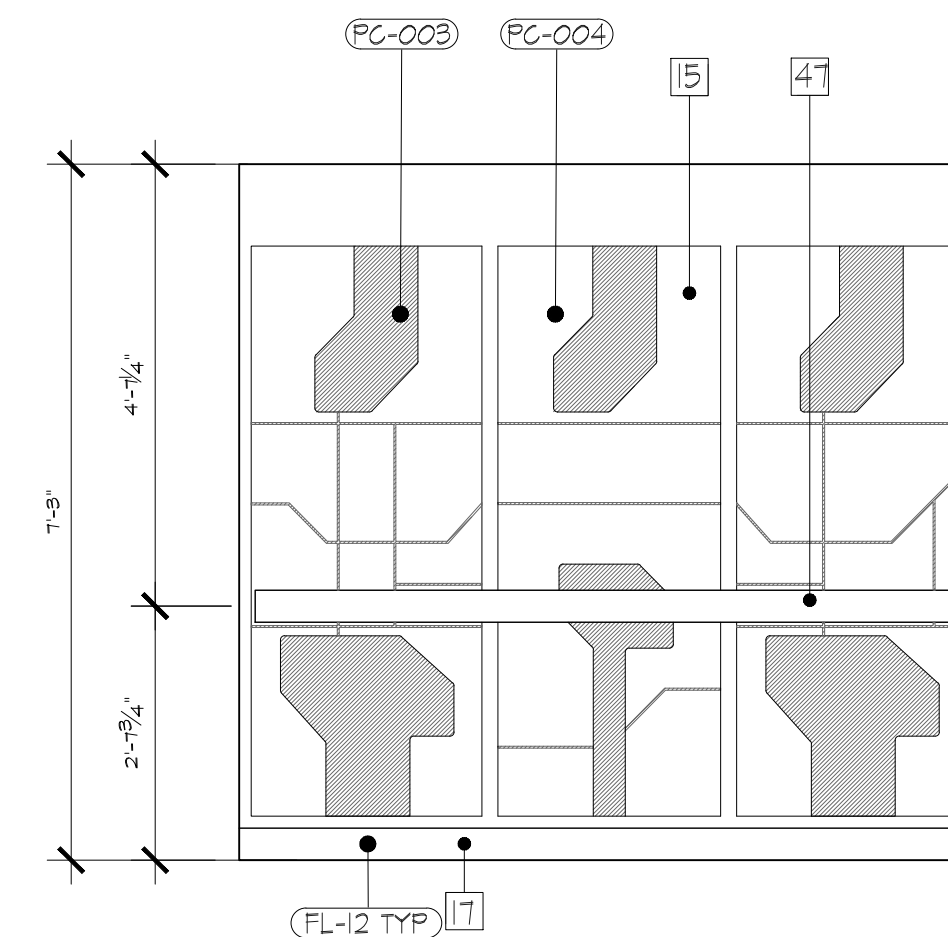
ELEVATOR INTERIOR - ELEVATION 3  
SCALE: 1/2" = 1" D-502 D-502



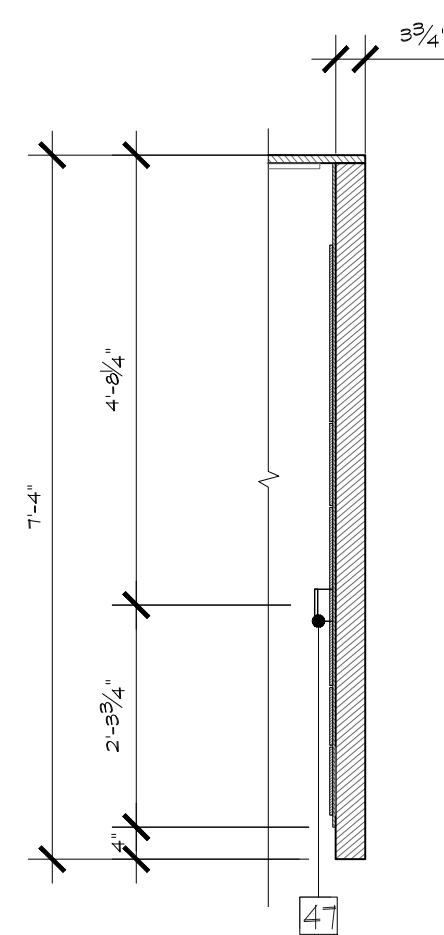
ELEVATOR INTERIOR - ELEVATION 4  
SCALE: 1/2" = 1" D-502 D-502



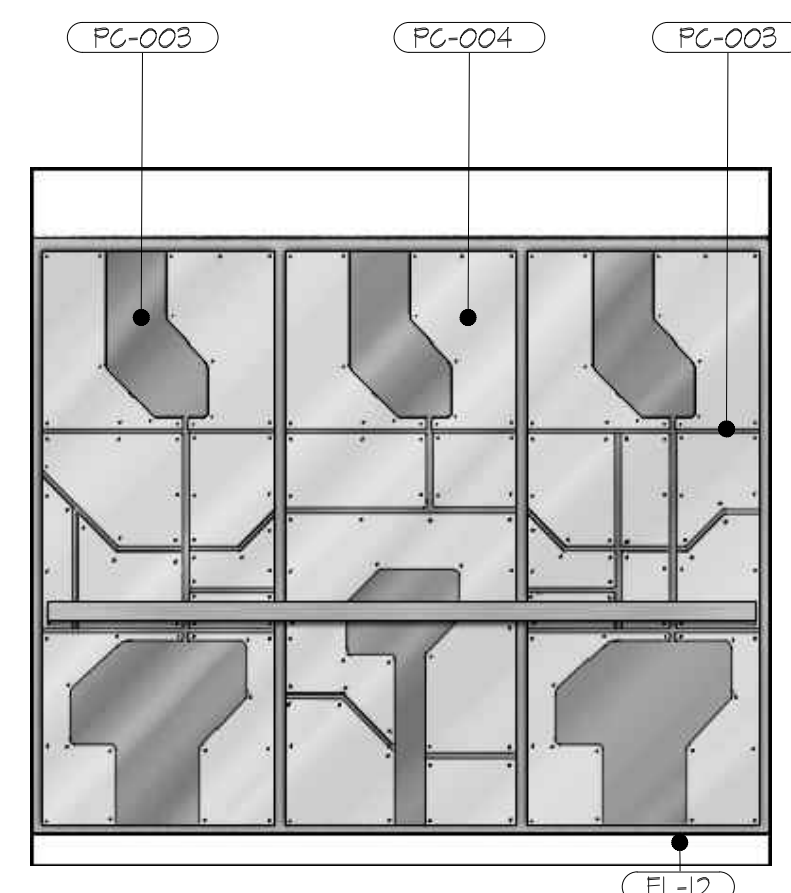
ELEVATOR INTERIOR - ELEVATION 5  
SCALE: 1/2" = 1" D-502 D-502



ELEVATOR INTERIOR - ELEVATION 6  
SCALE: 1/2" = 1" D-502 D-502



ELEVATOR INTERIOR - SECTION  
SCALE: 1/2" = 1" A D-502 D-502



ELEVATOR INTERIOR - ELEVATION 4 RENDERING  
SCALE: NA 7 D-502 D-502

NOTES:

- 15 - DIMENSIONAL SCENIC CLADDING IN LAYERED MDF CONSTRUCTION WITH THERMOFORMED KYDEX LAMINATE OR SIMILAR FINISH TREATMENT
- 17 - RUBBER BASE MOLDING
- 43 - FRAMED ALUMINUM GRATING IN POWDERCOAT FINISH FOR AUDIO AND VENTILATION
- 41 - ALUMINUM HAND RAILING
- 48 - LED CAN LIGHTING
- PC-003 - KYDEX 53233 PORCH
- PC-004 - KYDEX 53235 RAILING
- FL-12 - BASEBOARD SILVER

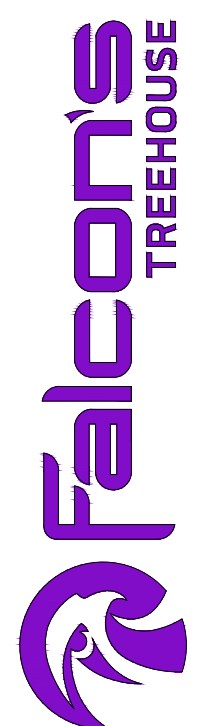
RUSSELL C. DAVIS  
PLANETARIUM

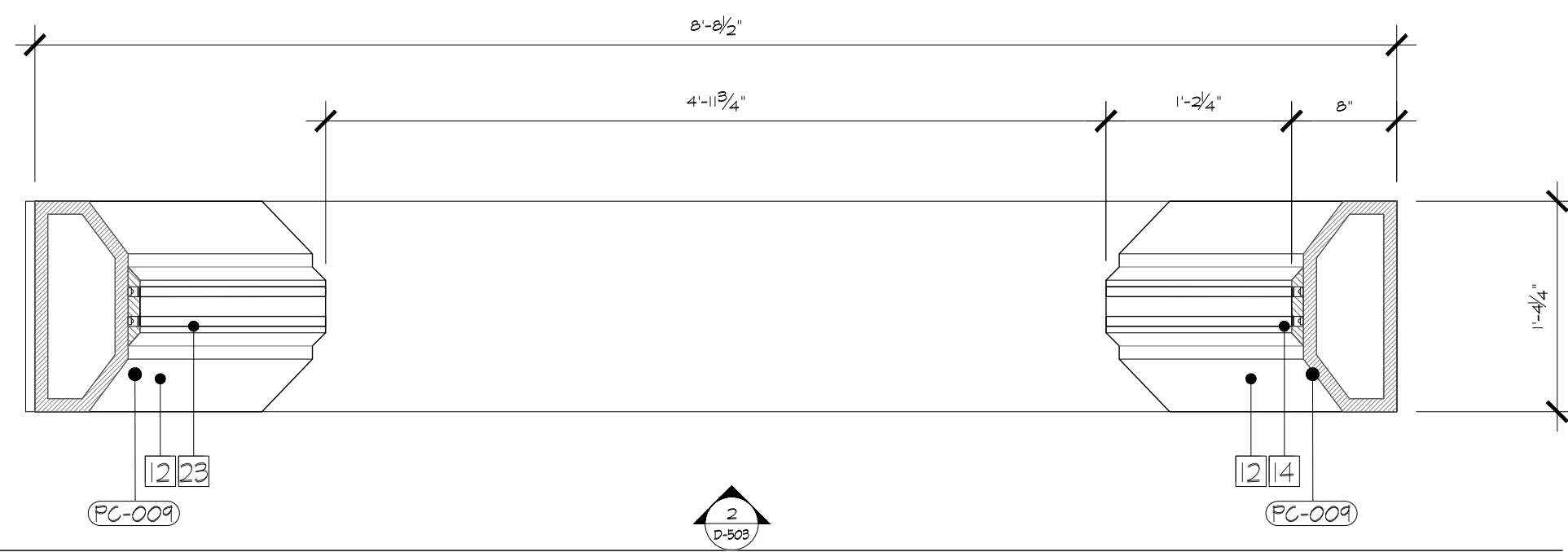
THIS DOCUMENT CONTAINS COPYRIGHT MATERIAL AND TRADE SECRET INFORMATION BELONGING TO FALCONS TREEHOUSE AND ITS CLIENT AS NOTED ON PACKAGE. ANY UNAUTHORIZED USE, DISCLOSURE, DISSEMINATION OR PUBLICATION OF ANY OF THE INFORMATION CONTAINED HEREIN MAY RESULT IN LIABILITY UNDER APPLICABLE LAWS.

JACKSON  
PLANETARIUM

PHASE: 000R DESIGN DEVELOPMENT - SPACE STATION  
DRAWING TITLE: FIRST FLOOR DETAILS DESCENT ELEVATOR INTERIOR

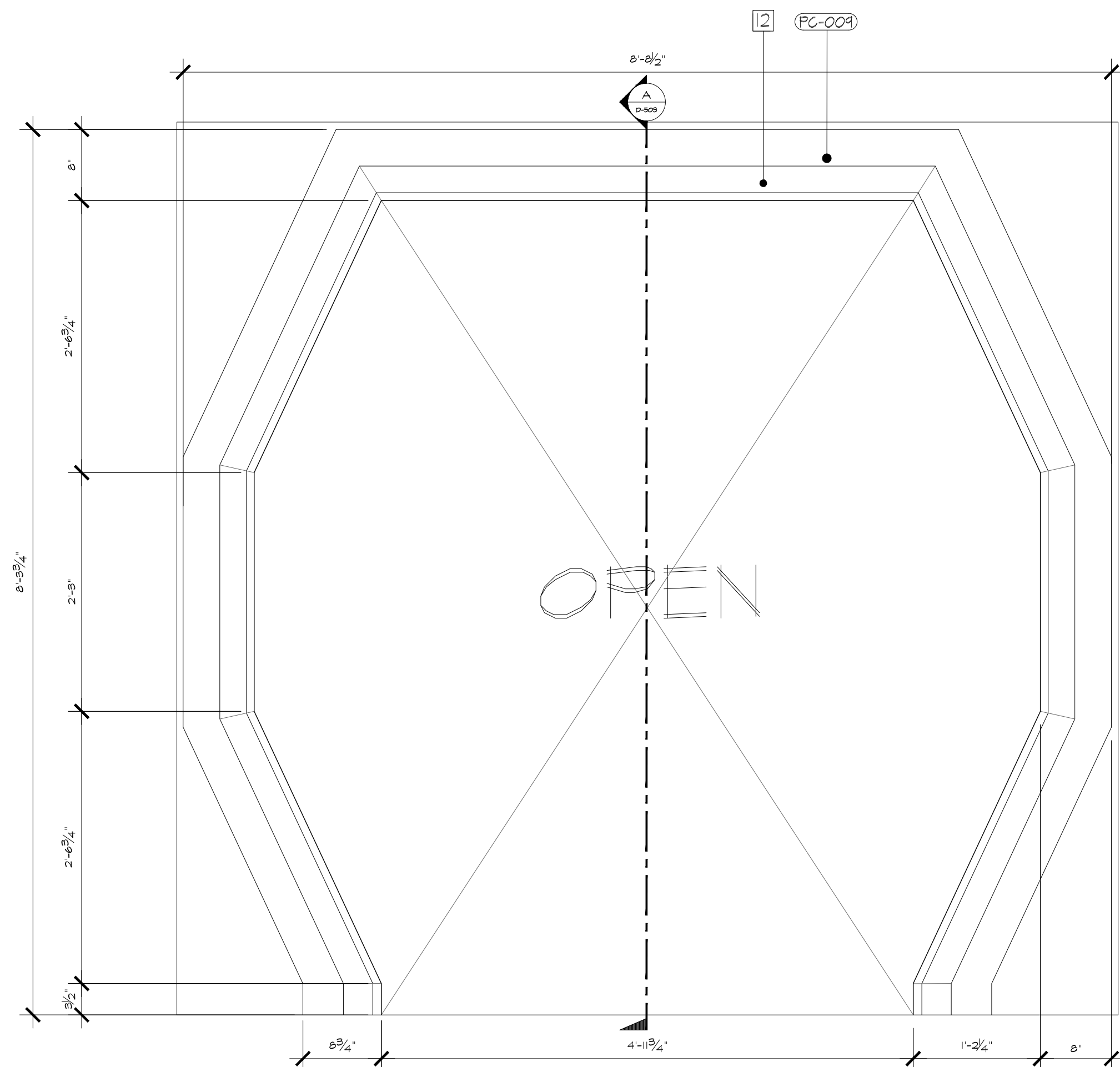
SCALE: AS NOTED  
DATE: 01-31-2025  
DWS NO.: D-502





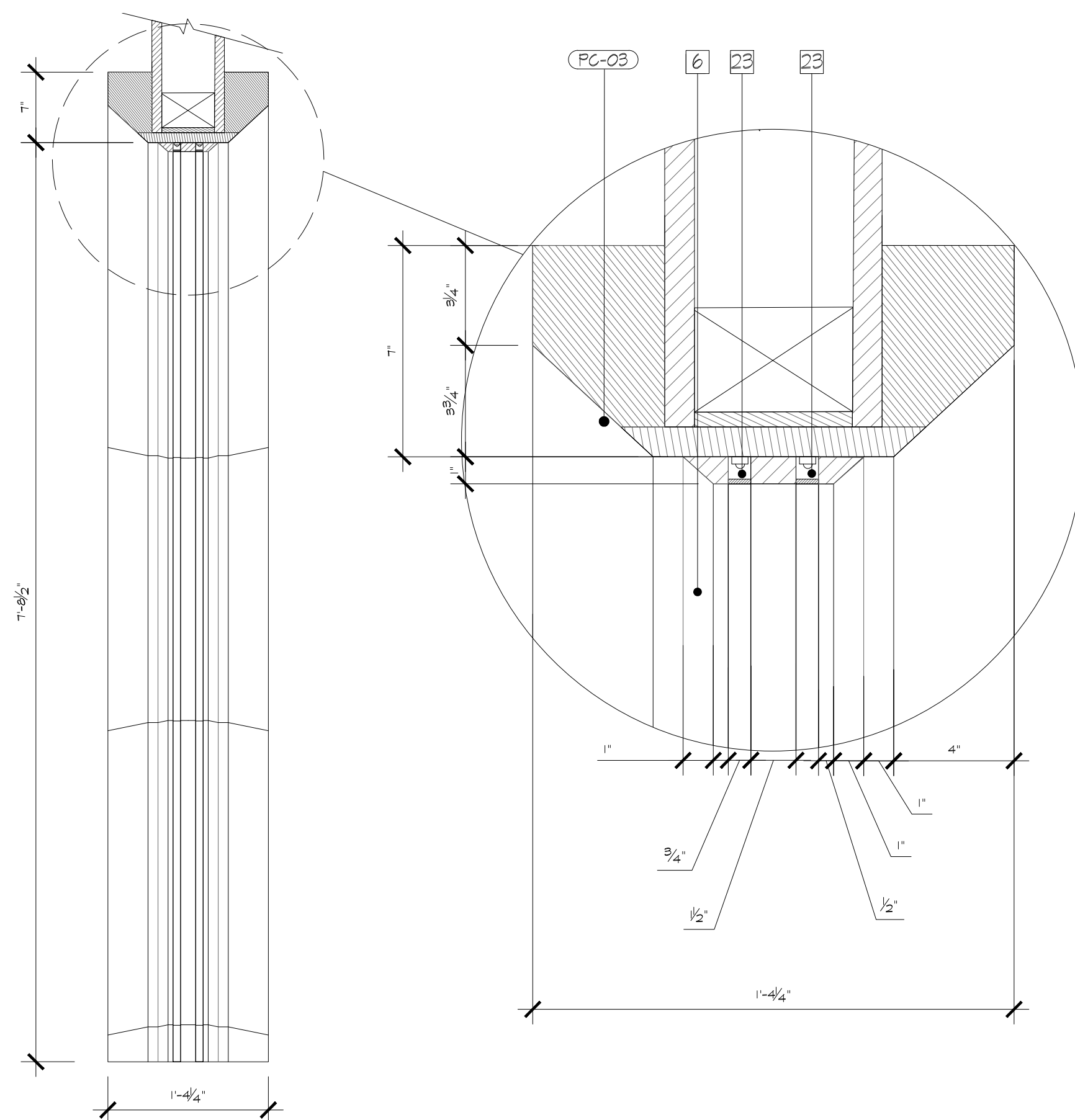
PORTAL I - PLAN  
SCALE: 1" = 1'

D-103 | D-503



PORTAL I - FRONT ELEVATION  
SCALE: 1" = 1'

D-503 | D-503



PORTAL I - SECTION  
SCALE: 1" = 1'

D-503 | D-503

NOTES:

- 6 - DIMENSIONAL SCENIC CLADDING IN LAYERED MDF CONSTRUCTION WITH SCENIC PAINT TREATMENT
  - 12 - DIMENSIONAL DOOR FRAME IN MDF CONSTRUCTION WITH TRIM MOLDING IN SCENIC PAINT FINISH - RECESSED LED LIGHTING CHANNELS INTEGRATED INTO FRAME WITH DIFFUSED ACRYLIC - CONSTRUCTED TO BE FLUSH WITH SCENIC FRAME
  - 23 - RECESSED LED LIGHTING EFFECT WITH POLYCARBONATE DIFFUSER
- PC-008 - SIKTOS WEB GRAY

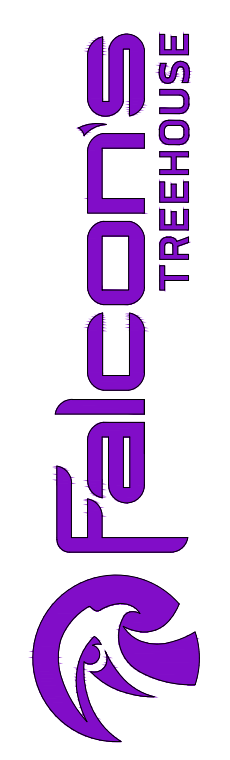
RUSSELL C. DAVIS  
PLANETARIUM

THIS DOCUMENT CONTAINS COPYRIGHT MATERIAL AND TRADE SECRET INFORMATION BELONGING TO FALCON'S TREEHOUSE AND ITS CLIENT AS NOTED ON PACKAGE. ANY UNAUTHORIZED USE, DISCLOSURE, REPRODUCTION OR PUBLICATION OF ANY OF THE INFORMATION CONTAINED HEREIN MAY RESULT IN LIABILITY UNDER APPLICABLE LAWS.

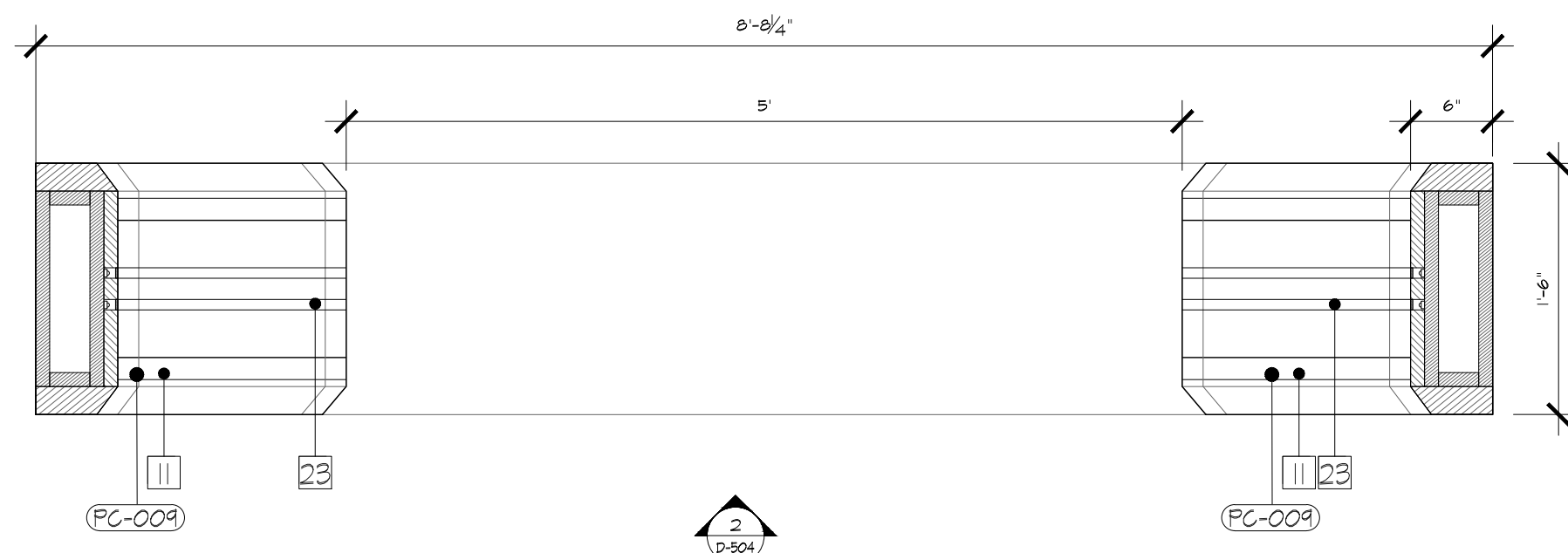
JACKSON  
PLANETARIUM

PHASE: 008 DESIGN DEVELOPMENT - SPACE STATION  
DRAWING TITLE: EXHIBIT DETAILS  
PORTAL I

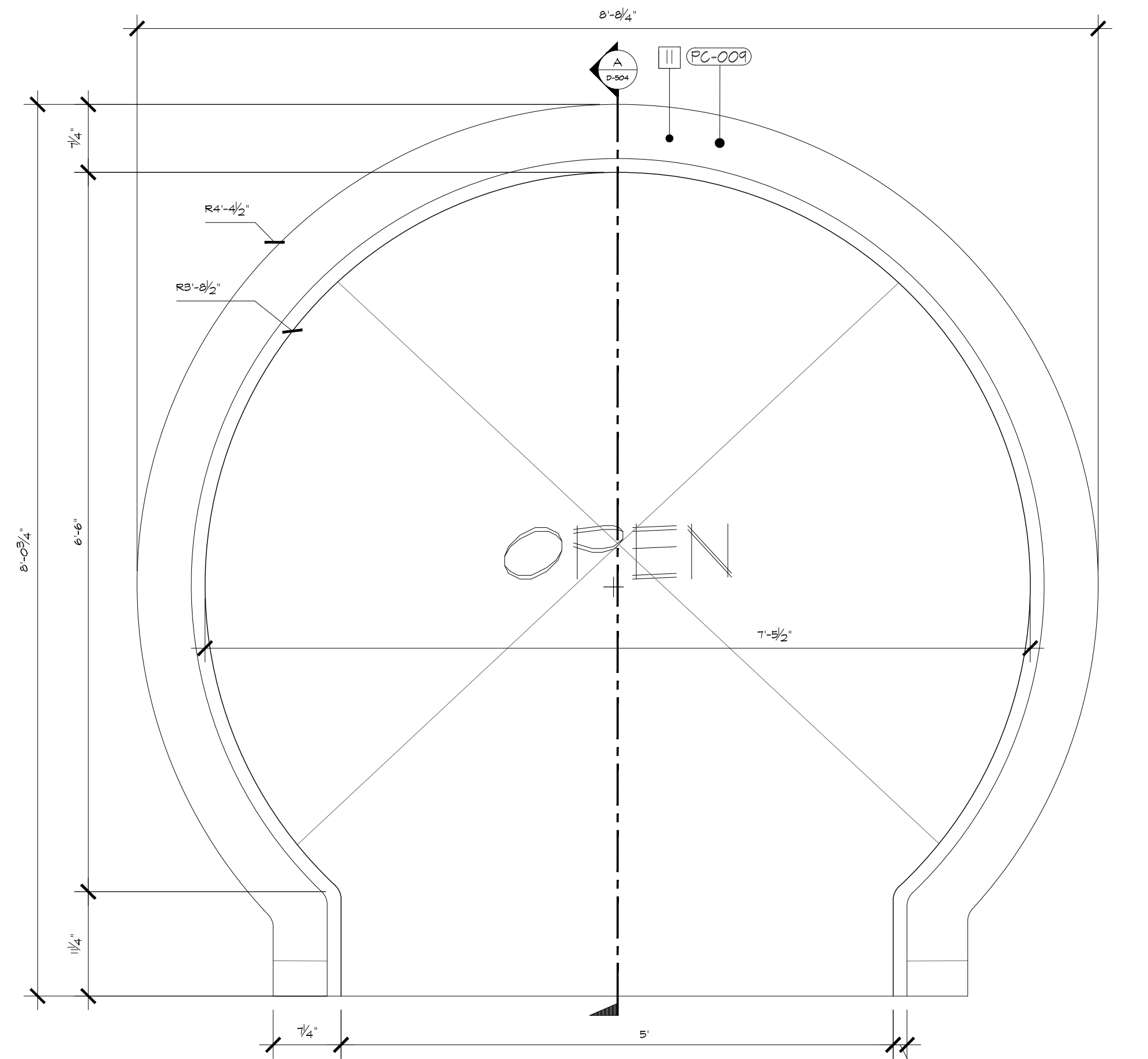
SCALE: AS NOTED  
DATE: 01-31-2025  
DWS NO.: D-503



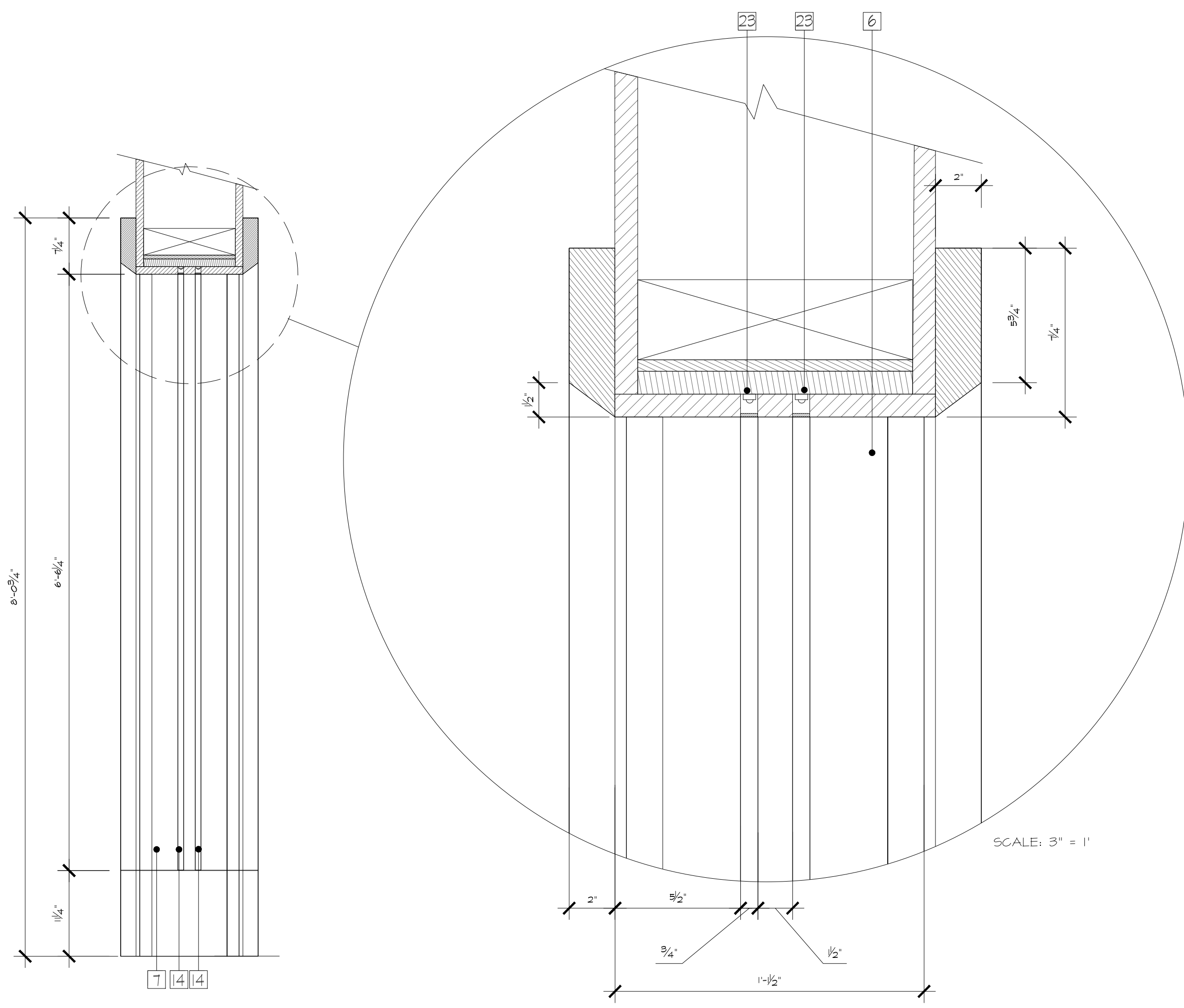




PORTAL 2 - PLAN  
SCALE: 1" = 1'



PORTAL 2 - FRONT ELEVATION  
SCALE: 1" = 1'



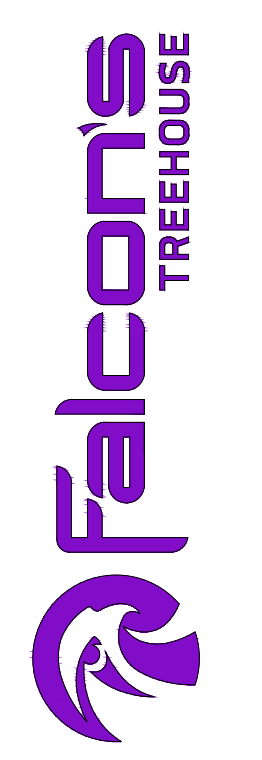
PORTAL 2 - SECTION  
SCALE: 1" = 1'

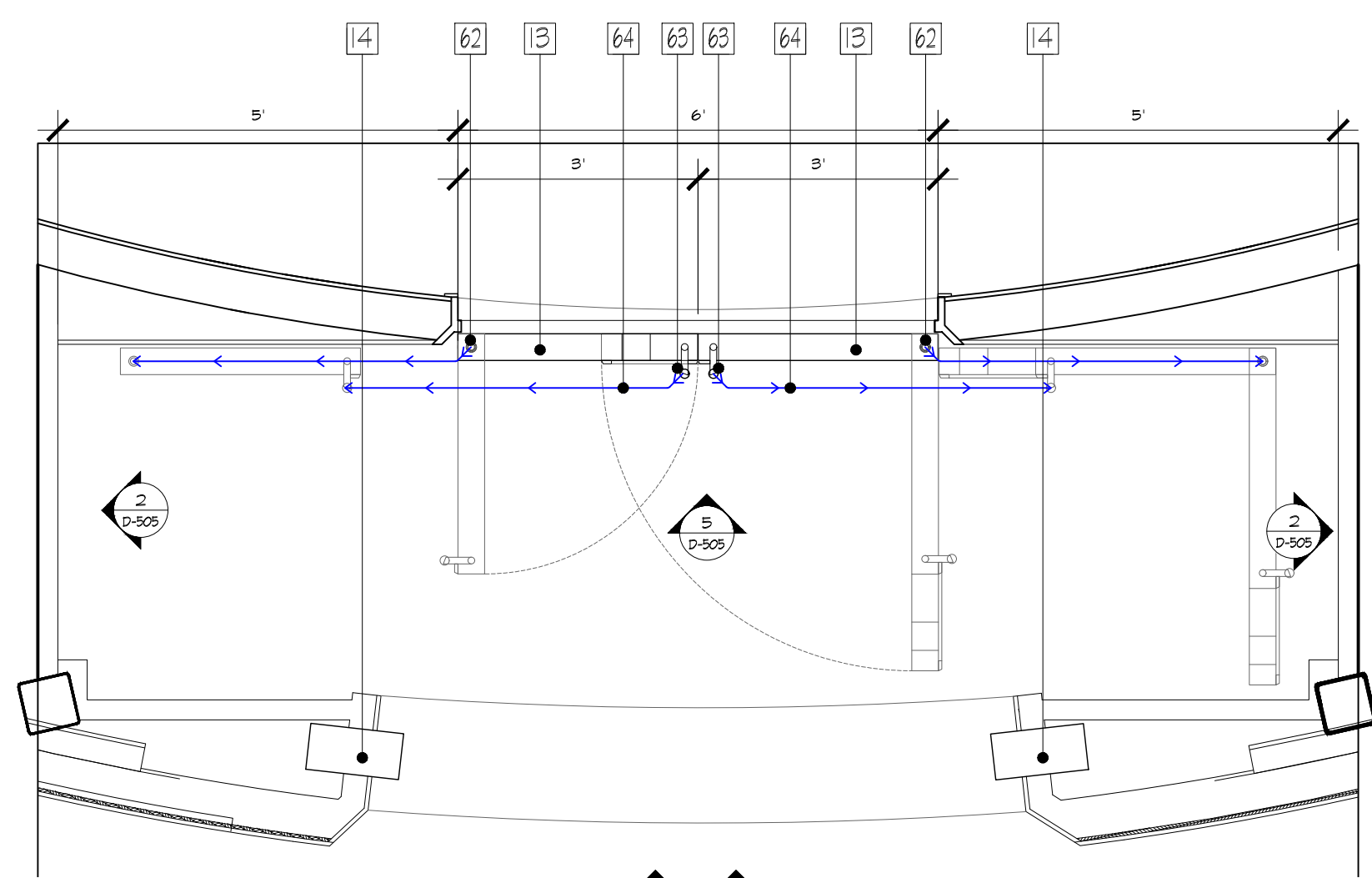
- NOTES:
- 6 - DIMENSIONAL SCENIC CLADDING IN LAYERED MDF CONSTRUCTION WITH SCENIC PAINT TREATMENT
  - 11 - DIMENSIONAL DOOR FRAME IN MDF CONSTRUCTION WITH TRIM MOLDING IN SCENIC PAINT FINISH - RECESSED LED LIGHTING CHANNELS INTEGRATED INTO FRAME WITH DIFFUSED ACRYLIC - CONSTRUCTED TO BE FLUSH WITH SCENIC FRAME
  - 23 - RECESSED LED LIGHTING EFFECT WITH POLYCARBONATE DIFFUSER
- PC-009 - SKATOTS WEB GRAY

RUSSELL C. DAVIS  
PLANETARIUM

THIS DOCUMENT CONTAINS COPYRIGHT MATERIAL AND TRADE SECRET INFORMATION BELONGING TO FALCON'S TREEHOUSE AND ITS CLIENT AS NOTED ON PACKAGE. ANY UNAUTHORIZED USE, DISCLOSURE, DISSEMINATION OR PUBLICATION OF ANY OF THE INFORMATION CONTAINED HEREIN MAY RESULT IN LIABILITY UNDER APPLICABLE LAWS.

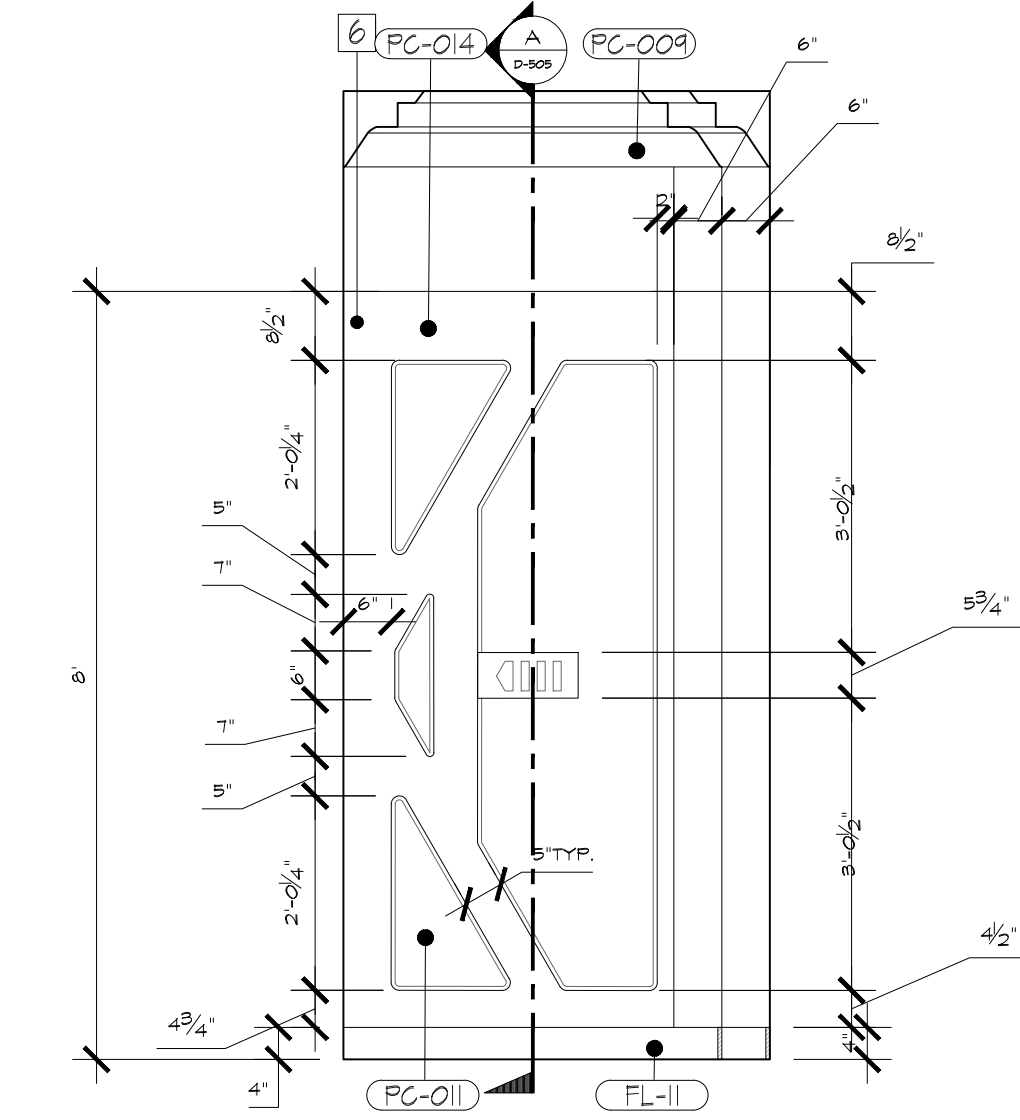
JACKSON PLANETARIUM	PHASE: 0008 DESIGN DEVELOPMENT - SPACE STATION
EXHIBIT DETAILS PORTAL 2	DRAWING TITLE:
SCALE: AS NOTED	DATE: 01-31-2025
DWG NO.: D-504	





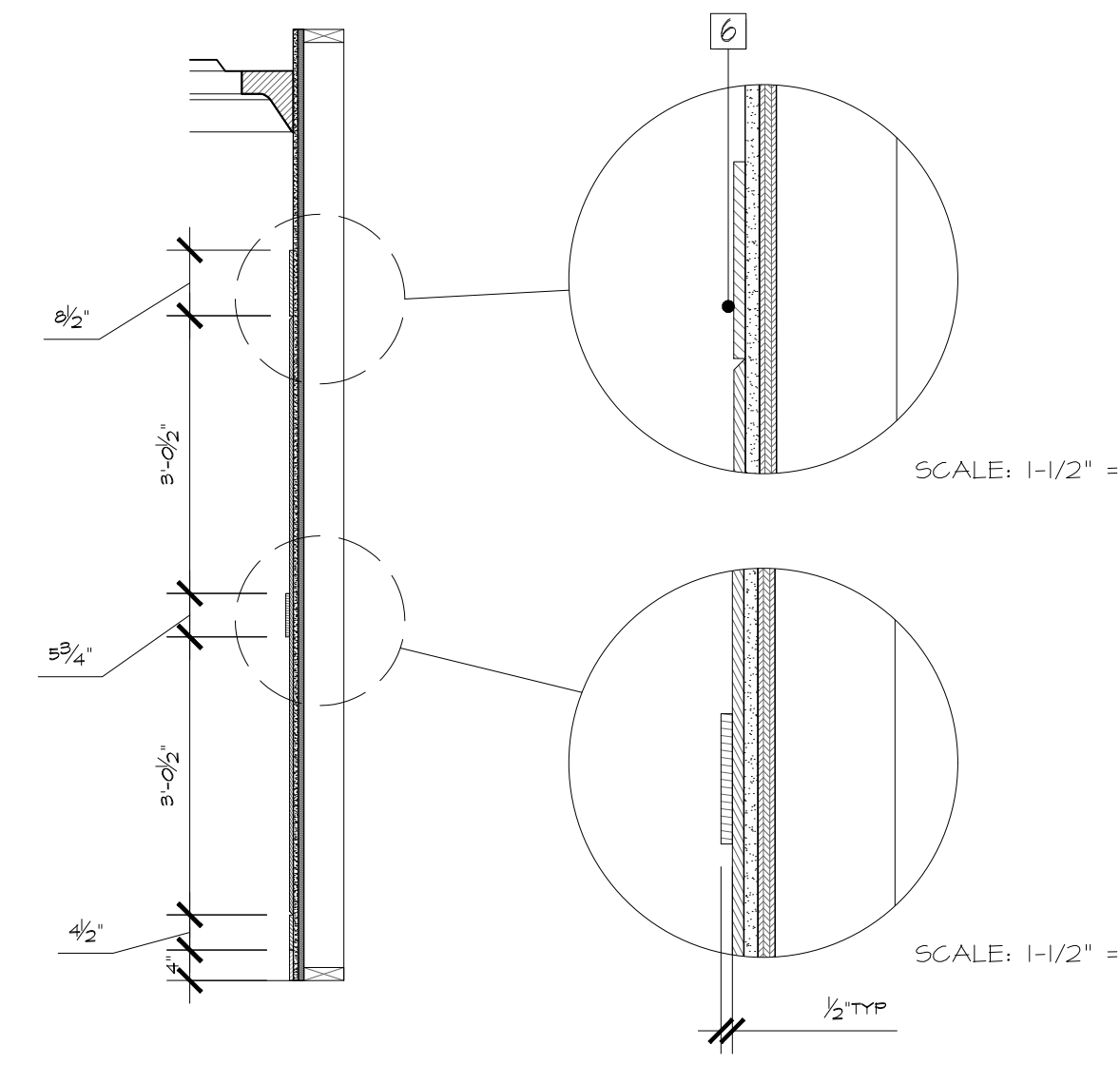
THEATER PORTAL - PLAN

SCALE: 1/2" = 1'



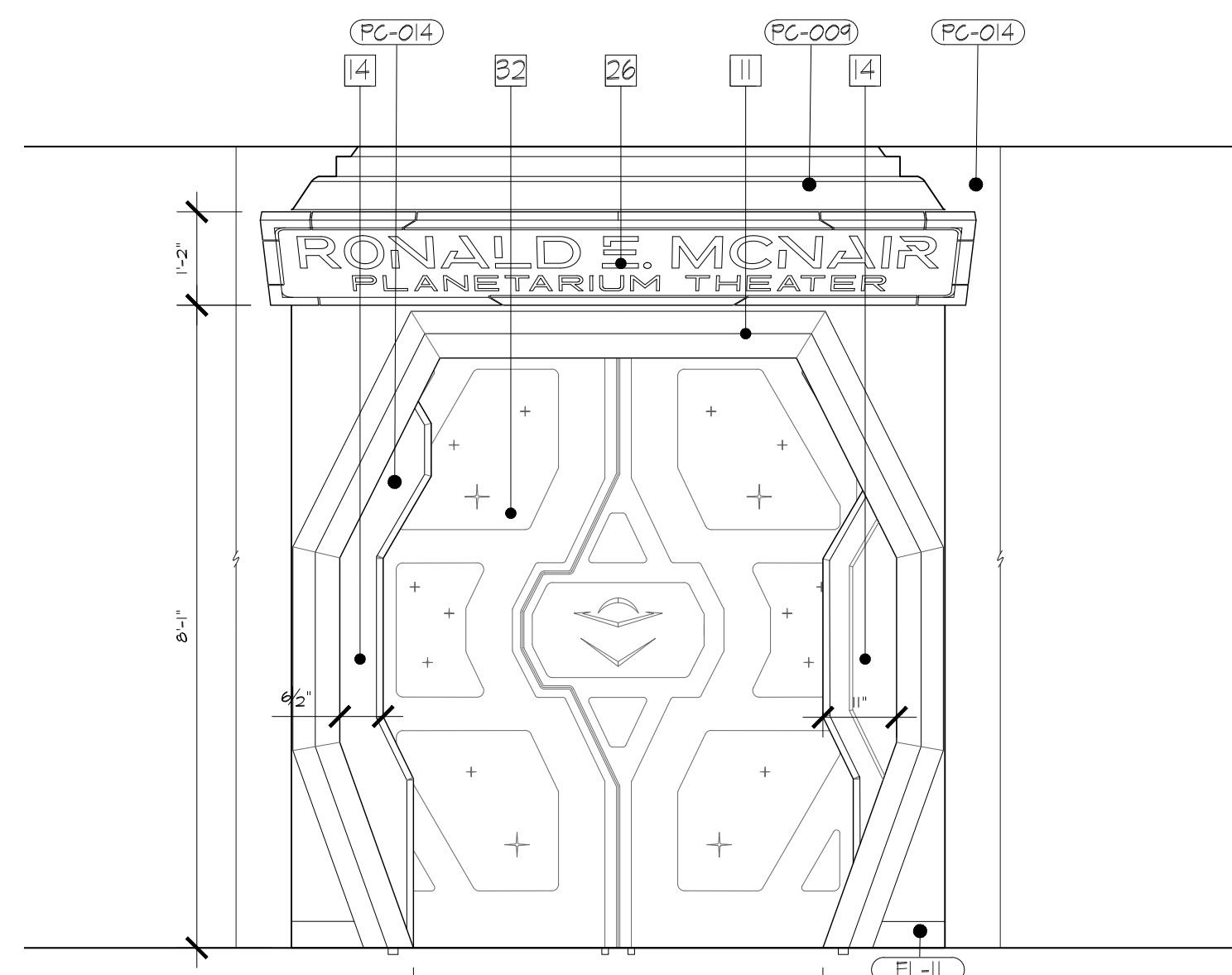
THEATER PORTAL - SIDE WALL ELEV.

SCALE: 1/2" = 1'



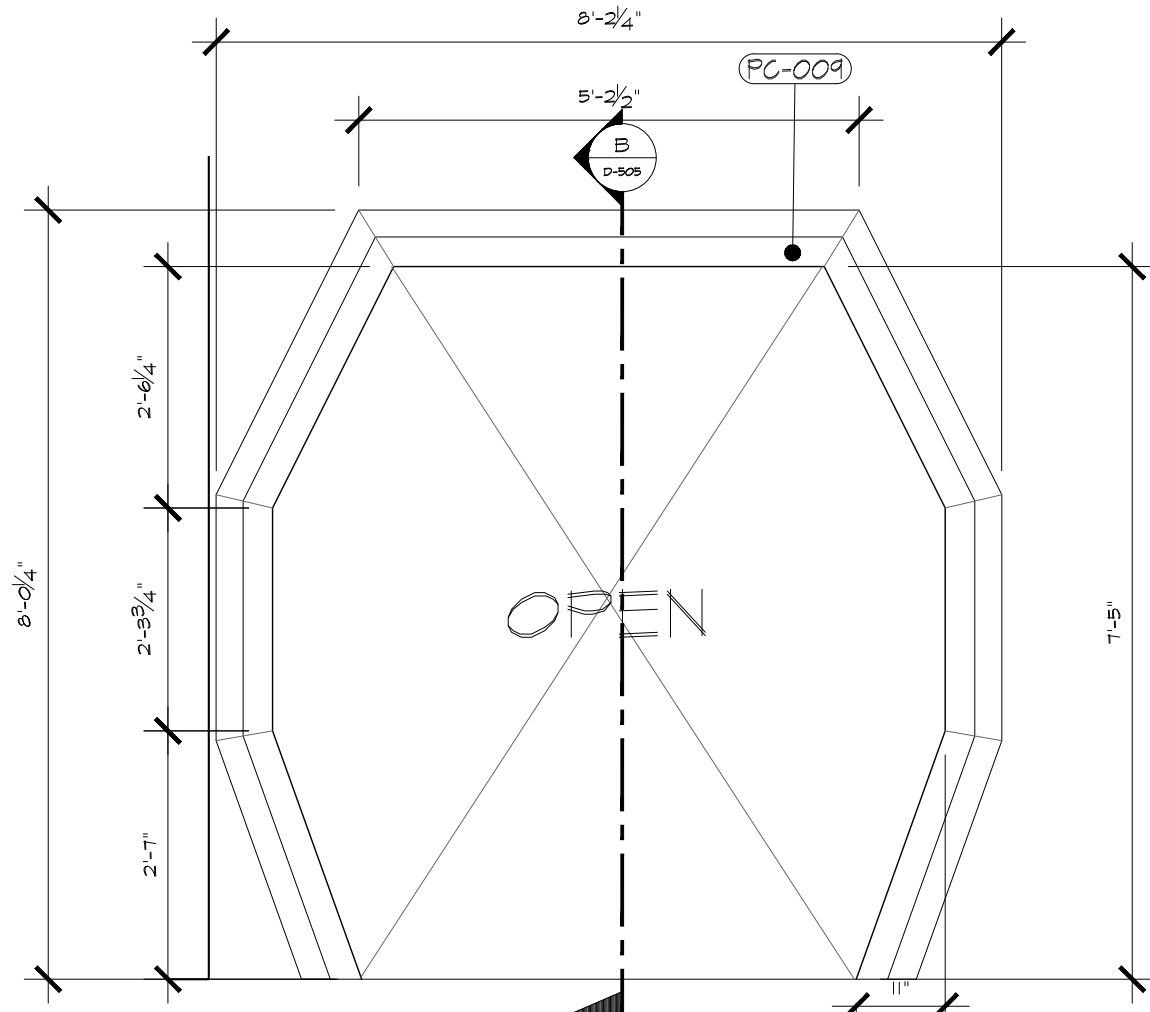
THEATER PORTAL - SIDE WALL SEC.

SCALE: 1/2" = 1'



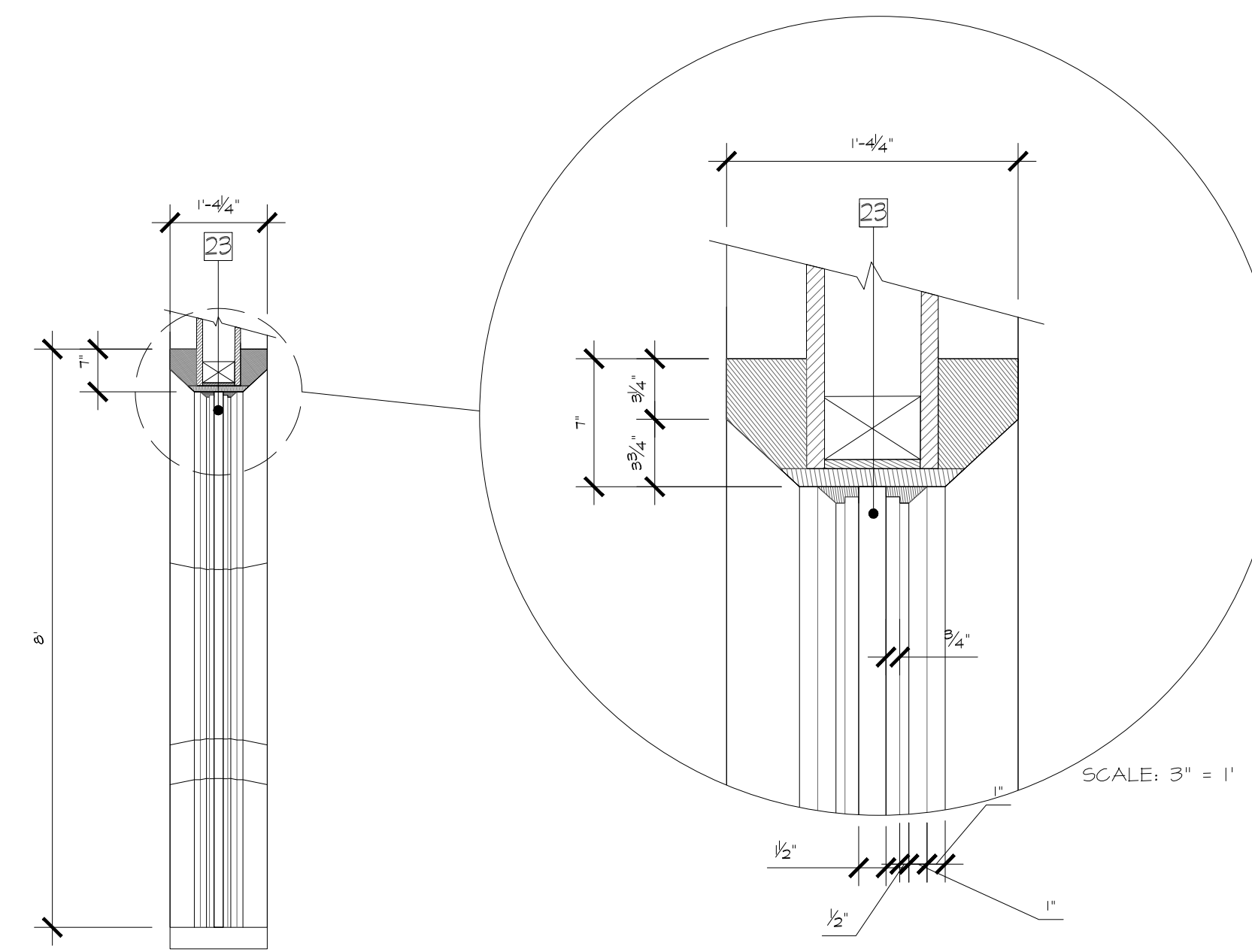
THEATER PORTAL - FRONT ELEVATION

SCALE: 1/2" = 1'



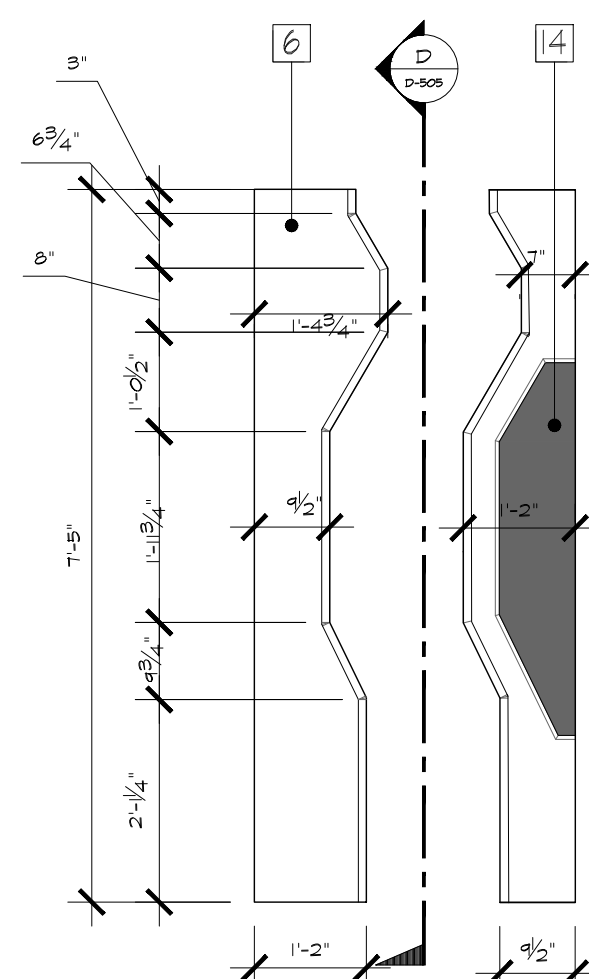
THEATER PORTAL - ARCH ELEVATION

SCALE: 1/2" = 1'



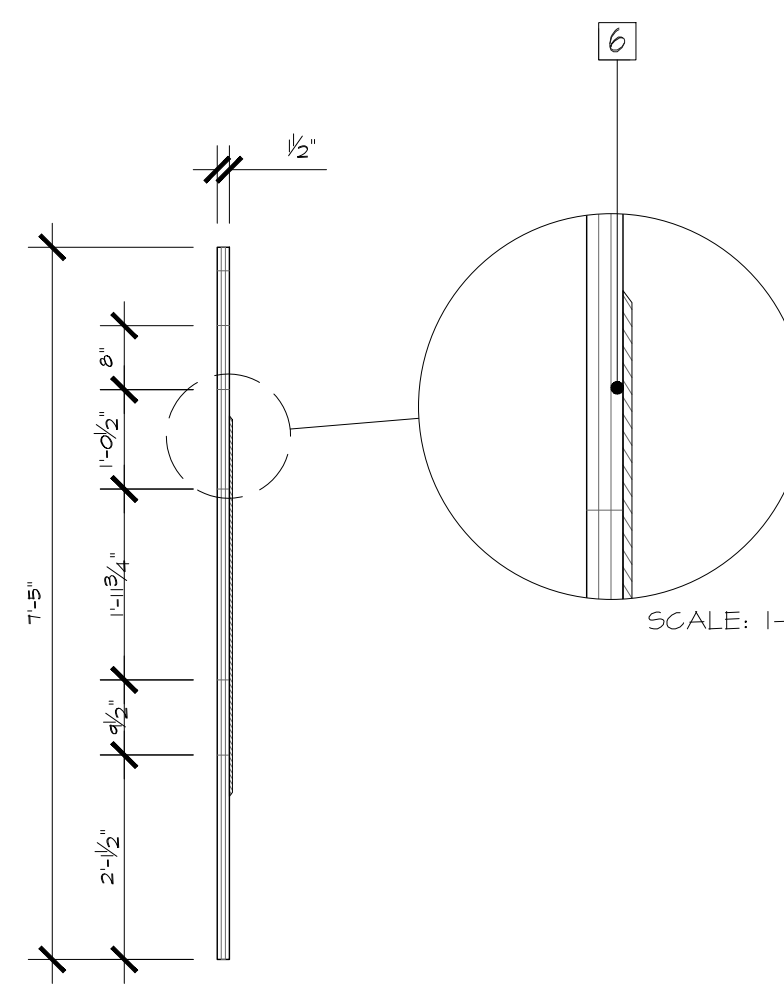
THEATER PORTAL - ARCH SECTION

SCALE: 1/2" = 1'



THEATER PORTAL - OUTER DR. ELEV.

SCALE: 1/2" = 1'



THEATER PORTAL - OUTER DR. ELEV.

SCALE: 1/2" = 1'

NOTES:

- 6 - DIMENSIONAL SCENIC CLADDING IN LAYERED MDF CONSTRUCTION WITH SCENIC PAINT TREATMENT
- 11 - DIMENSIONAL DOOR FRAME IN MDF CONSTRUCTION WITH TRIM MOLDING IN SCENIC PAINT FINISH - RECESSED LED LIGHTING CHANNELS INTEGRATED INTO FRAME WITH DIFFUSED ACRYLIC - CONSTRUCTED TO BE FLUSH WITH SCENIC FRAME
- 23 - AUTOMATIC SLIDING DOORS WITH APPLIED LAYERED SCENIC FLATS IN THEMATIC PAINT FINISH - DOORS TO BE ON J-TRACK, OR SIMILAR TO ALLOW FOR INTENDED OPENING/CLOSING EFFECT - DOORS TO HAVE BREAK-AWAY CAPABILITIES AS REQUIRED FOR EMERGENCY EGRESS
- 14 - NON-FUNCTIONING FAUX SCENIC DOOR IN LAYERED MDF CONSTRUCTION WITH SCENIC PAINT TREATMENT
- 22 - RECESSED LED LIGHTING EFFECT WITH POLYCARBONATE DIFFUSER
- 27 - WAYFINDING SIGNAGE - POLYCARBONATE PANEL, EDGE LIT BY LED LIGHTING INTEGRATED INTO FRAME
- 22 - THEATER DOORS WITH LAYERED MDF CONSTRUCTION AND SCENIC PAINT TREATMENT
- 62 - DOOR PIVOT POINT AND CASING FOR ELECTRICAL WIRING
- 63 - DOOR PIVOT POINT AND EXTENSION
- 64 - J-TRACK MECHANISM

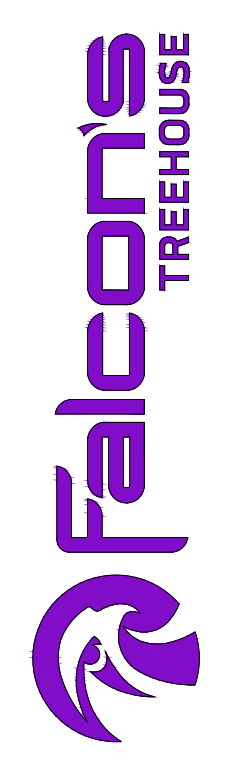
- PC-04 - KYDEX 53235 RAILING
- PC-009 - SMT075 WEB GRAY
- PC-014 - SW6254 LAZY GRAY
- FL-11 - FLORAL WHITE BASE TRIM

RUSSELL C. DAVIS  
PLANETARIUM

THIS DOCUMENT CONTAINS COPYRIGHT MATERIAL AND TRADE SECRET INFORMATION BELONGING TO FALCON'S TREEHOUSE AND ITS CLIENT AS NOTED ON PACKAGE. ANY UNAUTHORIZED USE, DISCLOSURE, REPRODUCTION OR PUBLICATION OF ANY OF THE INFORMATION CONTAINED HEREIN MAY RESULT IN LIABILITY UNDER APPLICABLE LAWS.

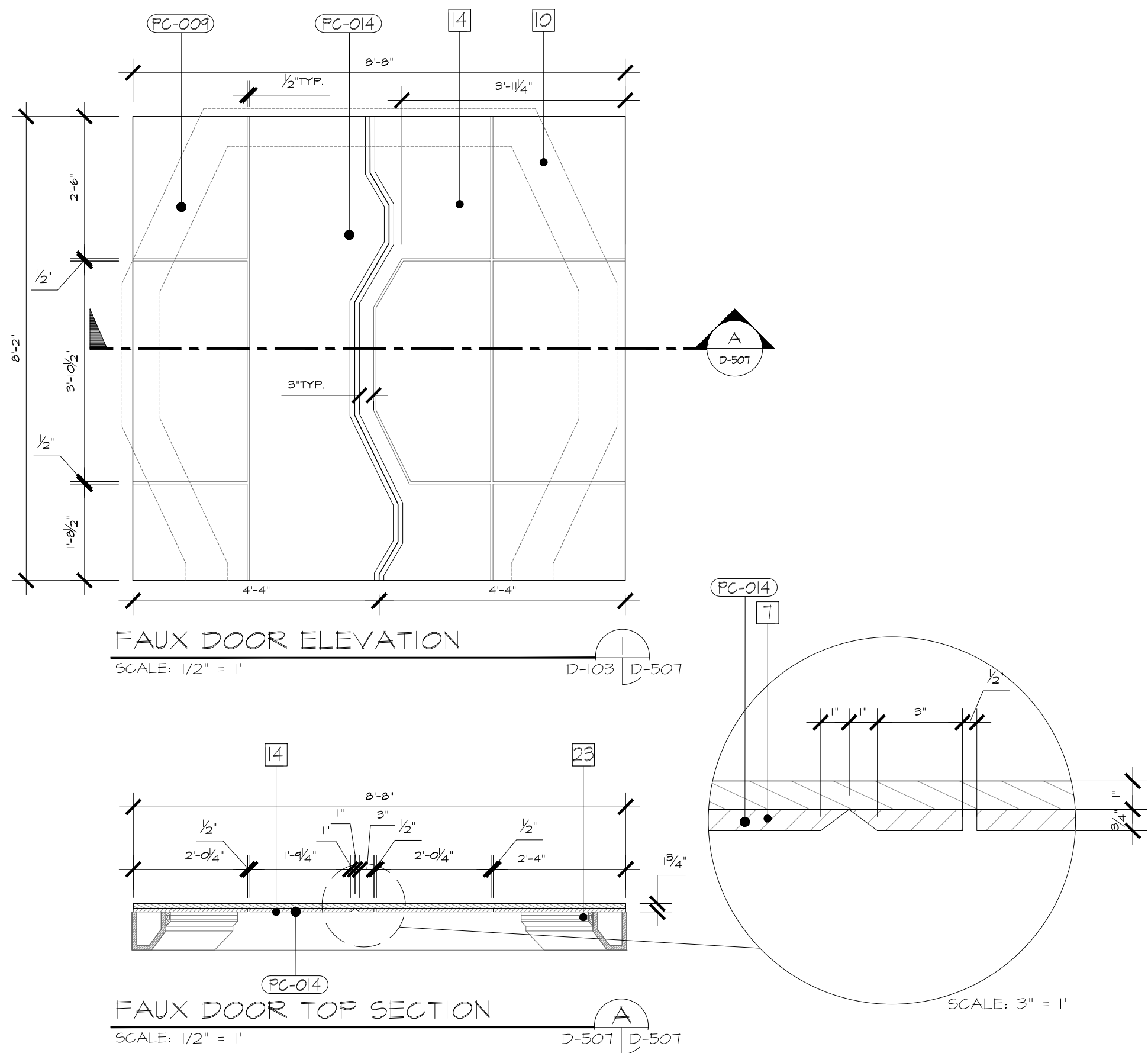
JACKSON  
PLANETARIUM

PHASE: 0008 DESIGN DEVELOPMENT - SPACE STATION	DRAWING TITLE: EXHIBIT DETAILS THEATER PORTAL	DATE: 01-31-2025	D-505
SCALE: AS NOTED	DWG NO.:		







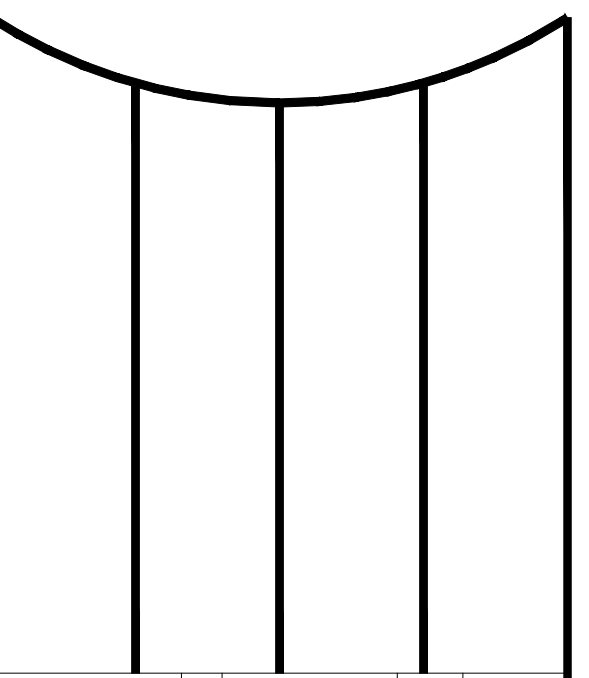


NOTES:

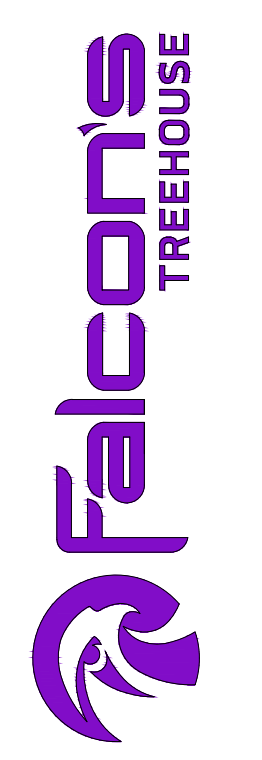
- 10 - DOOR FRAME WITH SCENIC PAINT TREATMENT
- 14 - NON-FUNCTIONING FAUX SCENIC CLADDING IN LAYERED MDF CONSTRUCTION WITH SCENIC PAINT TREATMENT
- 23 - RECESSED LED LIGHTING EFFECT WITH POLYCARBONATE DIFFUSER
- PC-003 - SATOTS WEB GRAY
- PC-014 - SN6254 LAZY GRAY

RUSSELL C. DAVIS  
PLANETARIUM

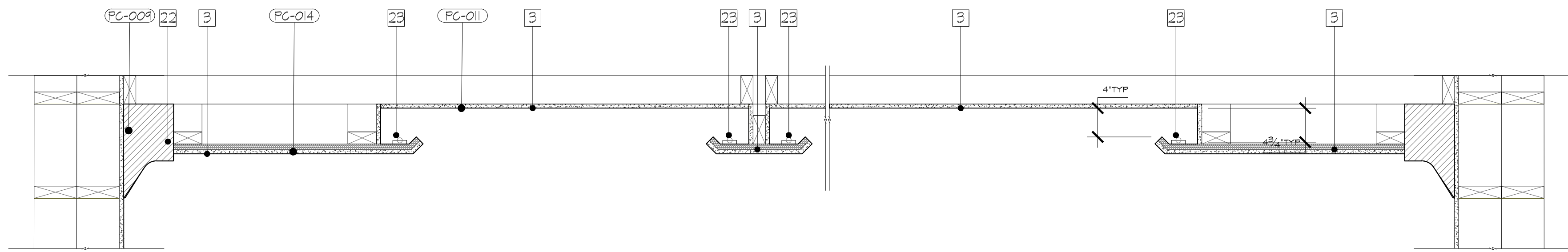
THIS DOCUMENT CONTAINS COPYRIGHT MATERIAL AND TRADE SECRET INFORMATION BELONGING TO FALCON'S TREEHOUSE AND ITS CLIENT AS NOTED ON PACKAGE. ANY UNAUTHORIZED USE, DISCLOSURE, DISSEMINATION OR PUBLICATION OF ANY OF THE INFORMATION CONTAINED HEREIN MAY RESULT IN LIABILITY UNDER APPLICABLE LAWS.



JACKSON PLANETARIUM		PHASE: 000% DESIGN DEVELOPMENT - SPACE STATION
EXHIBIT DETAILS FAUX DOOR		DRAWING TITLE:
SCALE: AS NOTED	DATE: 01-31-2025	DWG NO.: D-507



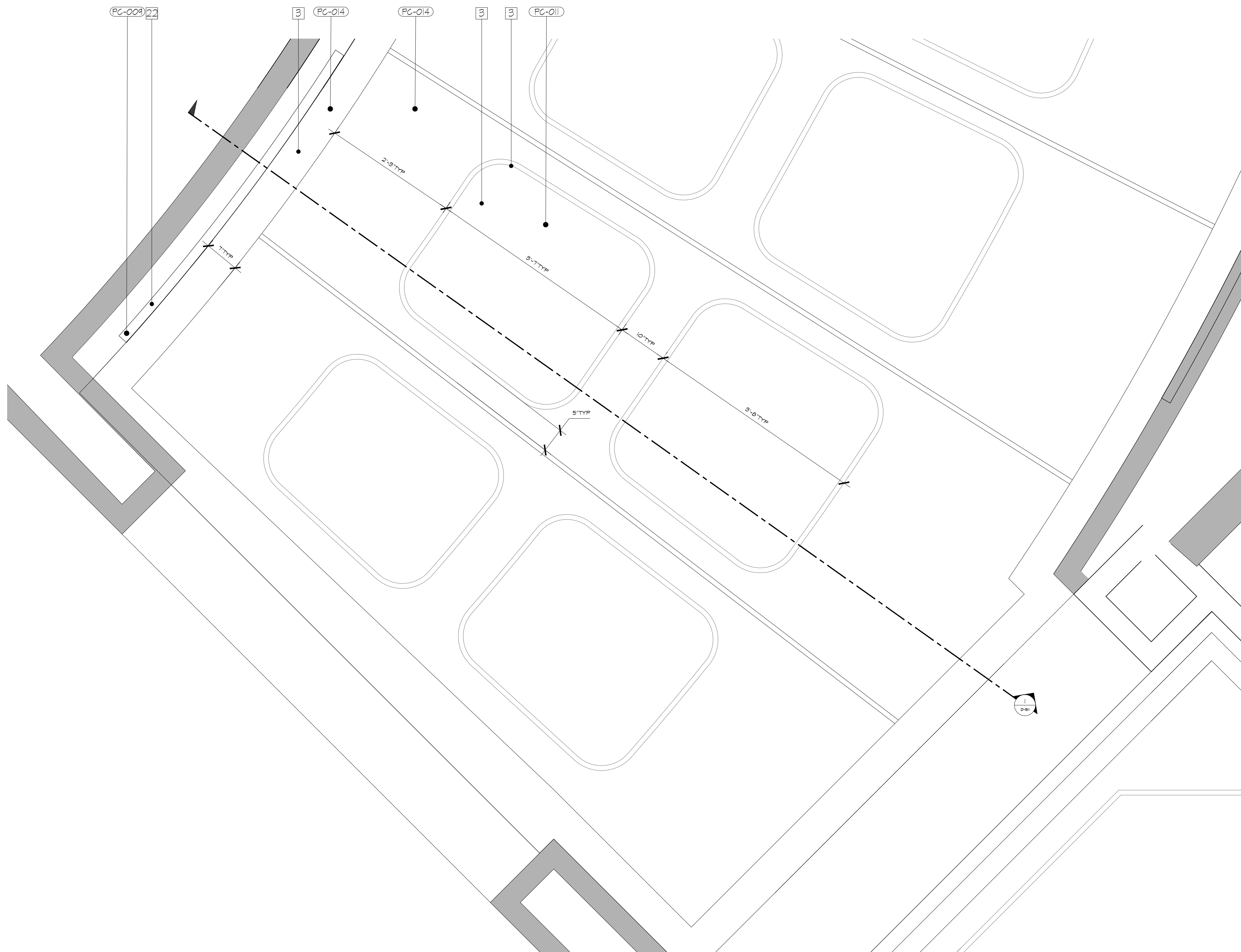




COVE CEILING SECTION DETAIL

SCALE: 1" = 1'

D-511 | D-511



COVE CEILING - ENLARGED RCP

SCALE: 1" = 1'

2 | D-153 | D-511

NOTES:

- 3 - DIMENSIONAL DRYWALL CEILING WITH LEVEL 3 FINISH AND SCENE PAINT TREATMENT - LED LIGHTING TO BE INTEGRATED INTO CEILING COVE
- 22 - CROWN MOLDING WITH SCENE PAINT TREATMENT
- 23 - RECESSED LED LIGHTING EFFECT WITH POLYCARBONATE DIFFUSER
- FC-009 - SATOTS WEB GRAY
- FC-011 - SATOTS NETWORK GRAY
- FC-014 - SW6254 LAZY GRAY

RUSSELL C. DAVIS  
PLANETARIUM

THIS DOCUMENT CONTAINS COPYRIGHT MATERIAL AND TRADE SECRET INFORMATION BELONGING TO FALCONS TREEHOUSE AND ITS CLIENT AS NOTED ON PACKAGE. ANY UNAUTHORIZED USE, DISCLOSURE, REPRODUCTION OR PUBLICATION OF ANY OF THE INFORMATION CONTAINED HEREIN MAY RESULT IN LIABILITY UNDER APPLICABLE LAWS.

JACKSON  
PLANETARIUM

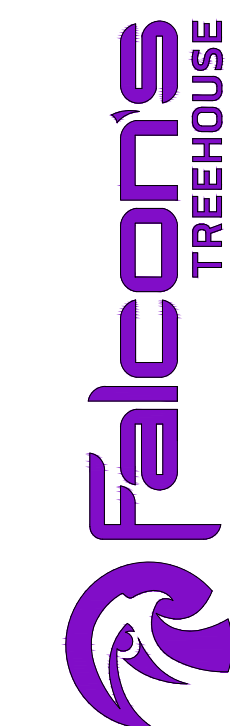
PHASE: 00% DESIGN DEVELOPMENT - SPACE STATION

DRAWING TITLE: EXHIBIT DETAILS WALL & CEILING DETAILS

SCALE: AS NOTED

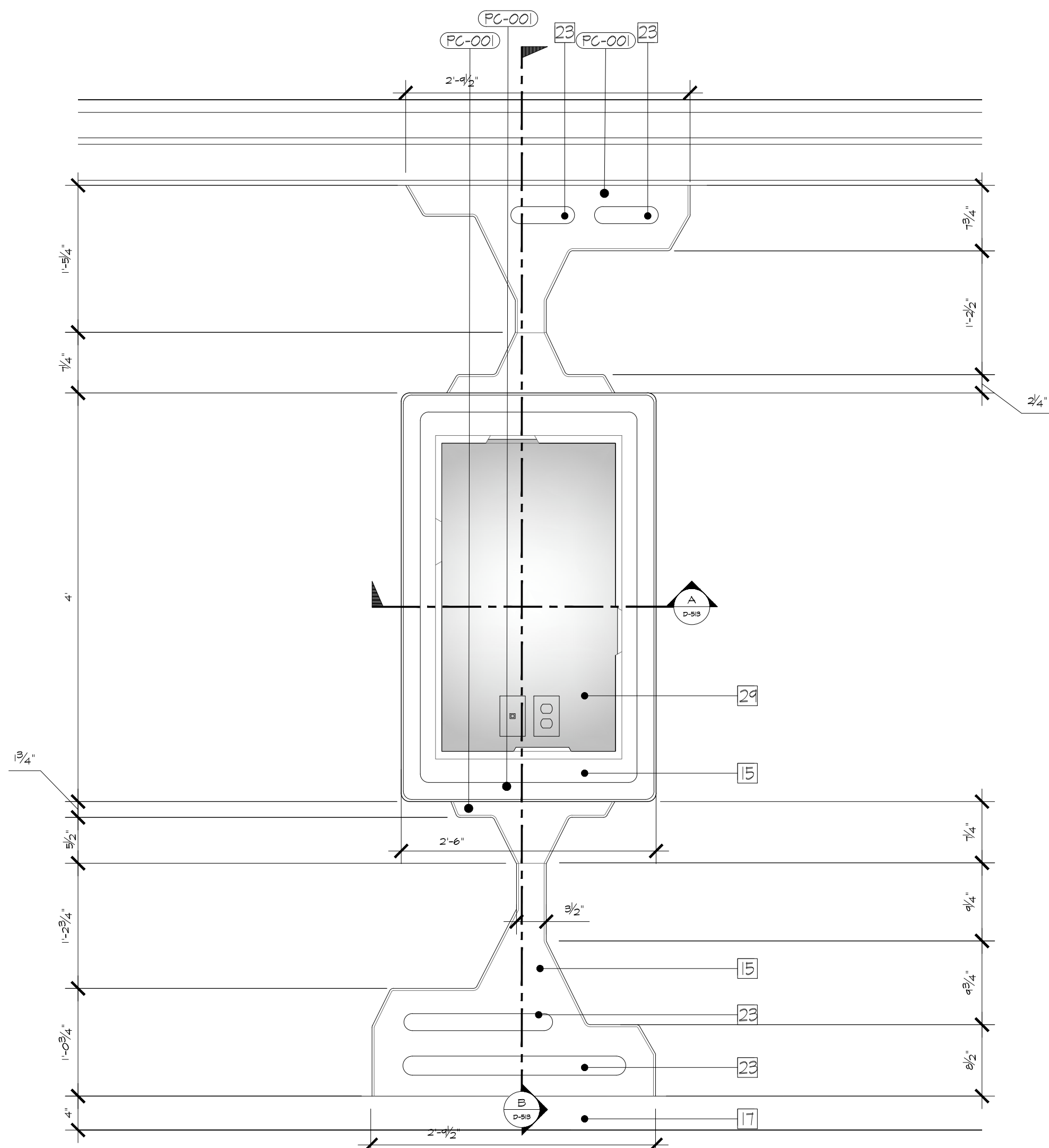
DATE: 01-31-2025

DWG NO.: D-511





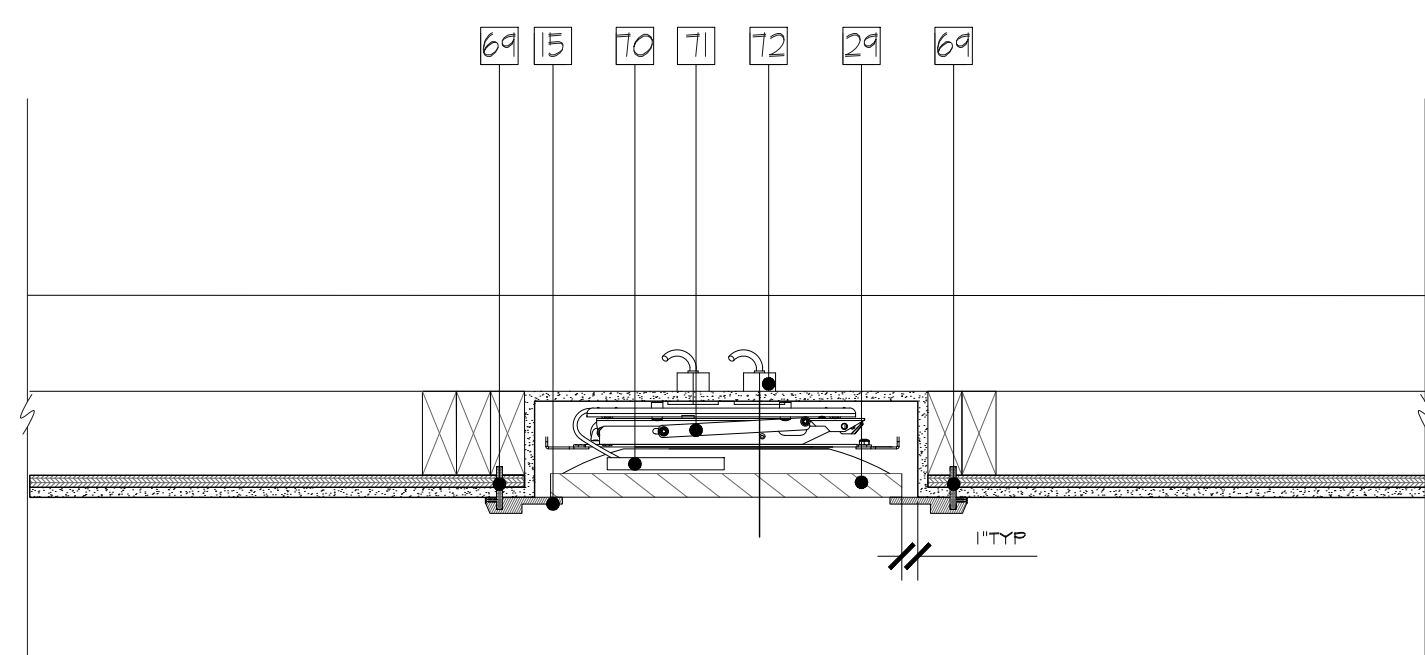




INFO BOARD MONITOR - FRONT ELEVATION

SCALE: 1" = 1'

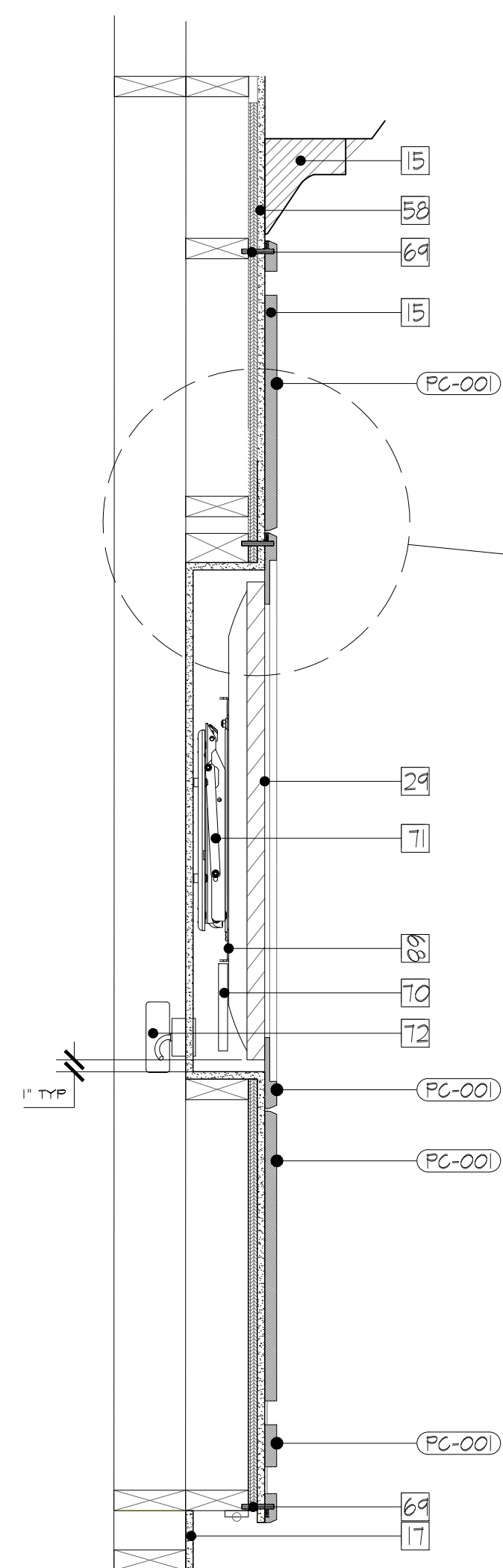
D-202 | D-513



INFO BOARD MONITOR - TOP SECTION

SCALE: 1" = 1'

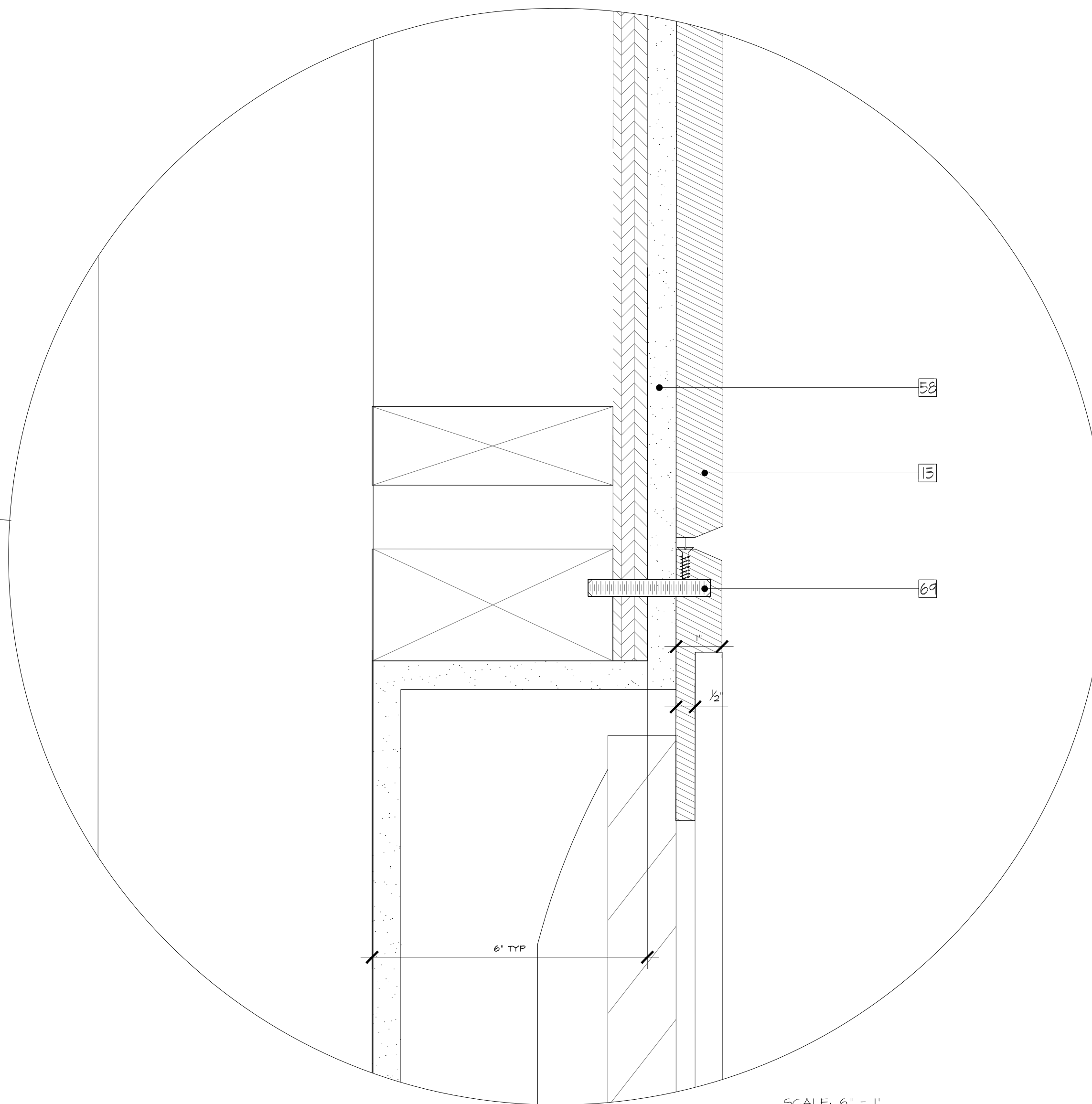
D-513 | D-513



INFO BOARD MONITOR - WALL SECTION

SCALE: 1" = 1'

D-513 | D-513



SCALE: 6" = 1'

NOTES:

- 5 - DIMENSIONAL SCENIC GLADDING IN LAYERED MDF CONSTRUCTION WITH THERMOFORMED KYDEX LAMINATE OR SIMILAR FINISH TREATMENT
- 17 - RUBBER BASE MOLDING
- 23 - RECESSED LED LIGHTING EFFECT WITH POLYCARBONATE DIFFUSER
- 24 - RECESSED 43" MONITOR (SAMSUNG GB43R) WITH REMOVABLE MDF BEZEL IN SCENIC PAINT FINISH
- 58 - 3/4" PLYWOOD BACKING
- 68 - CABLE FROM BRIGHT SIGN IN CONDUIT, CONNECTED TO NEXT MONITORS
- 69 - DOWEL PEG ANCHORED INTO WALL, FRAME TO BE SECURED TO WALL WITH MOUNTING SCREWS
- 10 - BRIGHT SIGN DEVICE (XD 235)
- 11 - FULL MOTION TV MOUNT (KANTO FD650)
- 12 - POWER OUTLETS
- PC-001 - KYDEX 53260 BAYOU

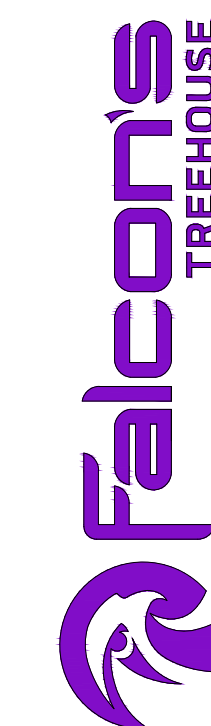
RUSSELL C. DAVIS  
PLANETARIUM

THIS DOCUMENT CONTAINS COPYRIGHT MATERIAL AND TRADE SECRET INFORMATION BELONGING TO FALCONS TREEHOUSE AND ITS CLIENT AS NOTED ON PACKAGE. ANY UNAUTHORIZED USE, DISCLOSURE, REPRODUCTION OR PUBLICATION OF ANY OF THE INFORMATION CONTAINED HEREIN MAY RESULT IN LIABILITY UNDER APPLICABLE LAWS.

JACKSON  
PLANETARIUM

PHASE: 00% DESIGN DEVELOPMENT - SPACE STATION  
DRAWING TITLE:  
EXHIBIT DETAILS  
INFO BOARD MONITOR DETAIL

SCALE: AS NOTED  
DATE: 01-31-2025  
DWS NO.: D-513



GENERAL NOTES

- SEE D-191 FOR CABLE ROUTING INFORMATION

REFER TO SHEET D-621  
FOR FINAL SIGNAGE DESIGN



RENDER PROVIDED AS SIGNAGE  
LOCATION REFERENCE ONLY -  
ENTRYWAY NOT IN FTH SCOPE

ELEVATOR ANTE-ROOM PORTAL - ISO VIEW  
SCALE: N.T.S.  D-551

RUSSELL C. DAVIS  
PLANETARIUM

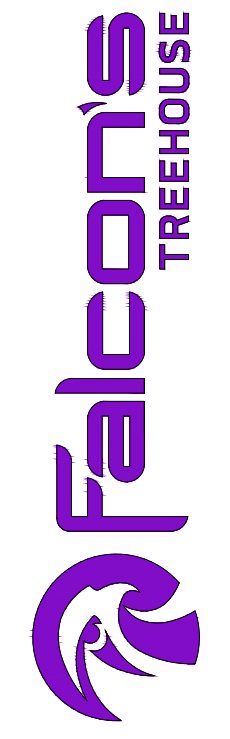
THIS DOCUMENT CONTAINS COPYRIGHT MATERIAL  
AND TRADE SECRET INFORMATION BELONGING TO  
FALCON'S TREEHOUSE AND ITS CLIENT AS NOTED  
ON PACKAGE. ANY UNAUTHORIZED USE, DISCLOSURE,  
DISSEMINATION OR PUBLICATION OF ANY OF THE  
INFORMATION CONTAINED HEREIN MAY RESULT IN  
LIABILITY UNDER APPLICABLE LAWS.

JACKSON  
PLANETARIUM

PHASE: 00% DESIGN DEVELOPMENT - SPACE STATION  
DRAWING TITLE:

SCENIC DETAILS

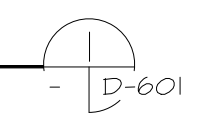
SCALE: AS NOTED  
DATE: 01-31-2025  
DWS NO.: D-551





JACKSON PLANETARIUM RE-IMAGINING 100% DD - SPACE STATION GRAPHICS SCHEDULE					
REF #	DESCRIPTION	TYPE	LOCATION	SIZE (W x H)	STATUS
GR.01.001	Themed marquee for shuttle elevator experience.	Space Station Shuttle Marquee	Ascent Elevator Lobby	70" x 40"	Detail Development – Shown in Signage Details
GR.01.002	Shuttle elevator entrance plaque.	Space Station Mounted Sign	Ascent Elevator Lobby	8.25" x 5.5"	Detail Development – Shown in Signage Details
GR.01.004	Themed elevator signage Visual standards for Architect	Space Station Mounted Sign	Descent Elevator Lobby	8.25" x 5.5"	Detail Development – Text Provided for Production based on Sign Type
GR.02.001	Directional sign to stairwell gantry to space station.	Space Station Mounted Sign	Second Floor Stairwell	16" x 11"	Detail Development – Text Provided for Production based on Sign Type
GR.02.002	Wall Supergraphic Design with projection area	Supergraphic	Second Floor Stairwell Landing	In Production	Detail Development – In Production To be Provided In a Separate
GR.03.001	Themed emergency egress signage for push bar egress doors.	Space Station Operations Signage	Space Station Both Sides of Doors	16" x 11"	Detail Development – Shown in Signage Details
GR.03.002	Space station ascent elevator	Space Station Mounted Sign	Space Station Interior	60" x 20"	Detail Development – Shown in Signage Details
GR.03.003	Themed non gender specific restroom signage.	Space Station Blade Sign	Space Station Interior	28" x 6"	Detail Development – Shown in Signage Details
GR.03.004	Themed air lock signage.	Space Station Mounted Sign	Space Station Air Lock Interior	60" x 20"	Detail Development – Text Provided for Production based on Sign Type
GR.03.005	Themed air lock exit signage. Text in development, "Please stand clear of gantry doors".	Space Station Directional Signage	Space Station Interior	24" x 30"	Detail Development – Text Provided for Production based on Sign Type
GR.03.006	Marquee for History of Space Exhibit.	Space Station Directional Signage	Space Station Next to portal	24" x 30"	Detail Development – Shown in Signage Details
GR.03.007	Marquee for Future of Space Exhibit.	Space Station Directional Signage	Space Station Next to portal	24" x 30"	Detail Development – Text Provided for Production based on Sign Type
GR.03.008	Directional signage	Space Station Directional Signage	Space Station Interior	24" x 30"	Detail Development – Text Provided for Production based on Sign Type
GR.03.009	Directional signage	Space Station Directional Signage	Space Station Interior	24" x 30"	Detail Development – Text Provided for Production based on Sign Type
GR.03.010	Space station descent elevator	Space Station Mounted Sign	Space Station Interior	60" x 20"	Detail Development – Text Provided for Production based on Sign Type
GR.03.011	Themed non gender specific restroom signage. ADA Accessible.	Space Station Blade Sign	Space Station Interior	28" x 6"	Detail Development – Text Provided for Production based on Sign Type
GR.03.012	Themed marquee for planetarium Theater Entrance.	Space Station Mounted Sign	Space Station Interior	108" x 16"	Detail Development – Shown in Signage Details
GR.03.013	Themed non gender specific restroom signage.	Space Station Mounted Sign	Space Station Elevator Anteroom	8.25" x 5.5"	Detail Development – Text Provided for Production based on Sign Type
GR.03.014	Themed non gender specific restroom signage. ADA Accessible.	Space Station Mounted Sign	Space Station Elevator Anteroom	8.25" x 5.5"	Detail Development – Text Provided for Production based on Sign Type
GR.03.015	Themed elevator signage	Space Station Mounted Sign	Space Station Elevator Anteroom	8.25" x 5.5"	Detail Development – Text Provided for Production based on Sign Type
GR.03.016	Themed elevator signage	Space Station Mounted Sign	Space Station Elevator Anteroom	8.25" x 5.5"	Detail Development – Text Provided for Production based on Sign Type

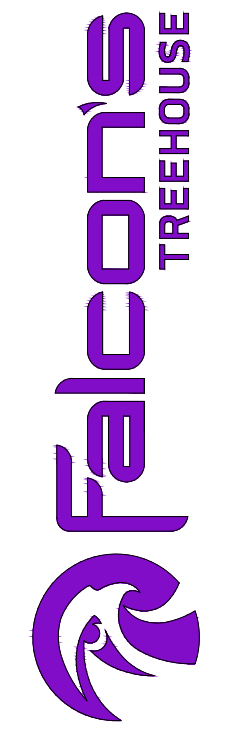
SPACE STATION - SIGNAGE & GRAPHICS SCHEDULE  
SCALE: N.T.S.



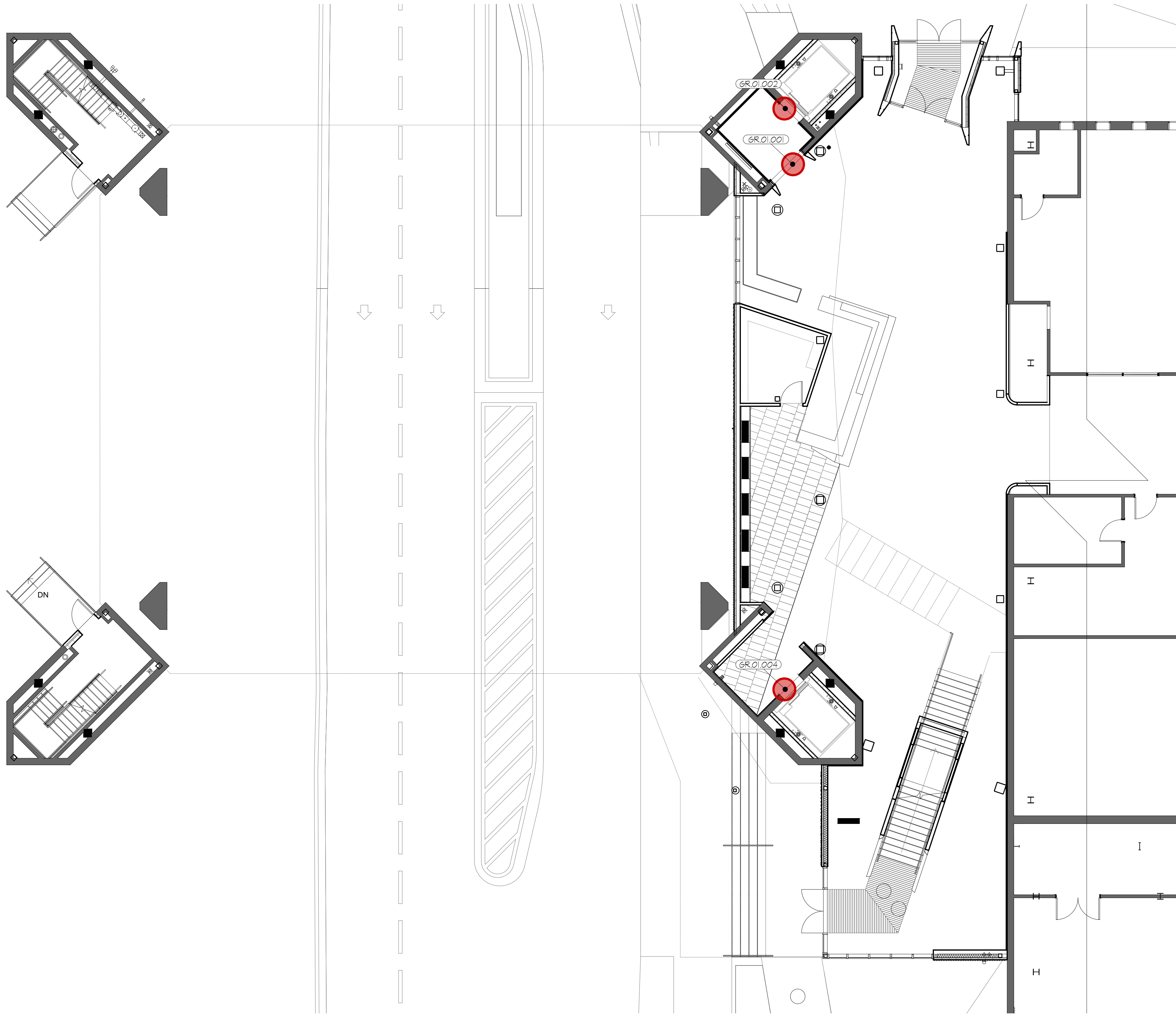
RUSSELL C. DAVIS  
PLANETARIUM

THIS DOCUMENT CONTAINS COPYRIGHT MATERIAL AND TRADE SECRET INFORMATION BELONGING TO FALCONS TREEHOUSE AND ITS CLIENT AS NOTED ON PACKAGE. ANY UNAUTHORIZED USE, DISCLOSURE, REPRODUCTION OR PUBLICATION OF ANY OF THE INFORMATION CONTAINED HEREIN MAY RESULT IN LIABILITY UNDER APPLICABLE LAWS.

JACKSON PLANETARIUM	PHASE: 100% DESIGN DEVELOPMENT - SPACE STATION	DATE: 01-31-2025	DWG NO.: D-601
SPACE STATION SIGNAGE & GRAPHICS SCHEDULE	DRAWING TITLE:	SCALE: AS NOTED	







**LEGEND**

- - SPACE STATION MOUNTED SIGN
- ▲ - SPACE STATION BLADE SIGN
- ⬠ - SPACE STATION OPERATIONS SIGN
- ⬡ - EXHIBIT OPERATIONS SIGN

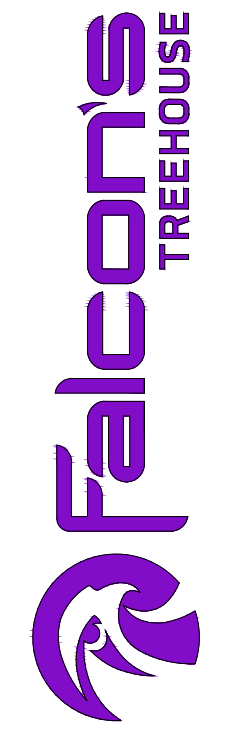
FIRST FLOOR - SIGNAGE & GRAPHICS PLAN  
 SCALE: 1/8" = 1'

D-611

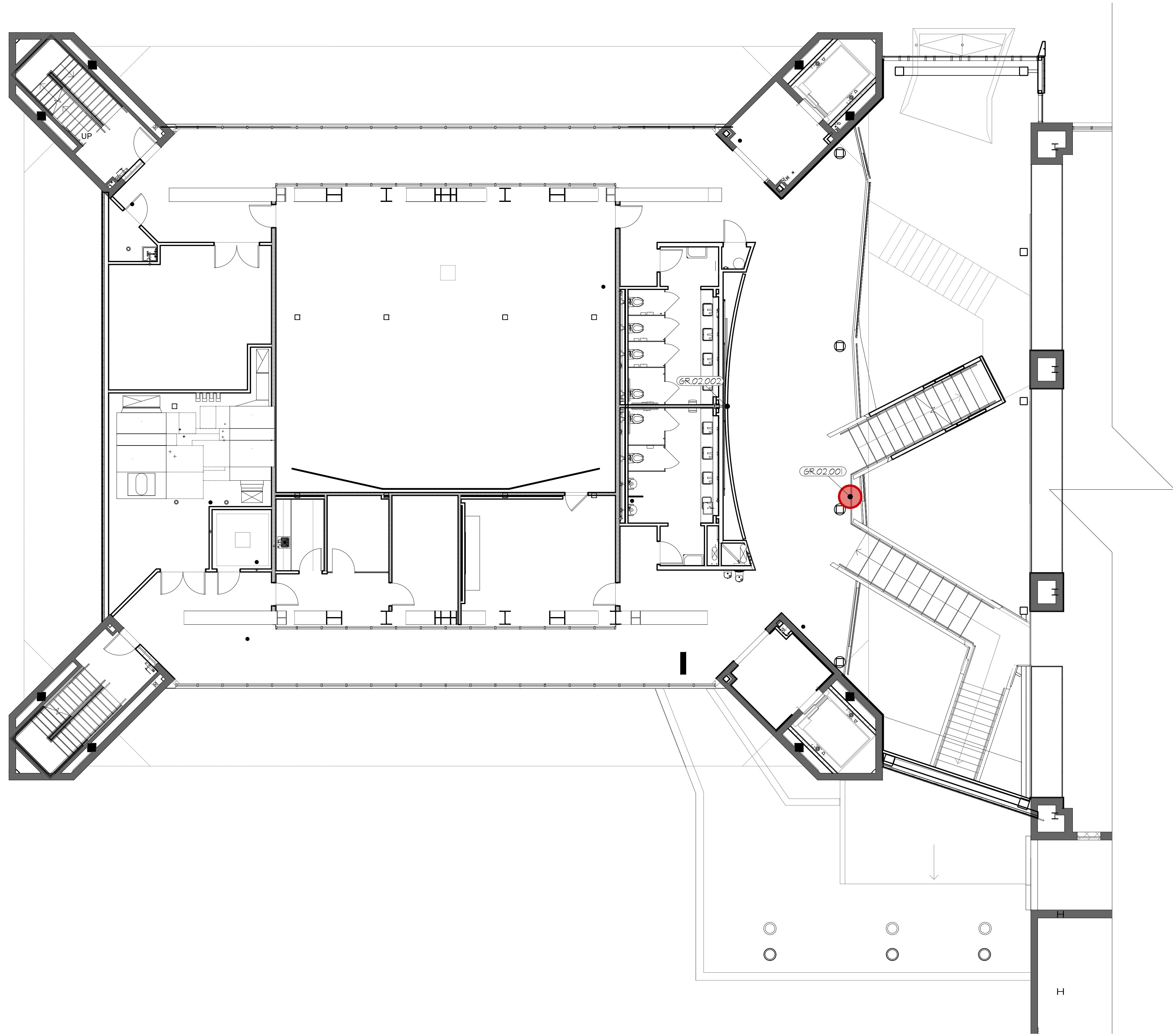
RUSSELL C. DAVIS  
 PLANETARIUM

THIS DOCUMENT CONTAINS COPYRIGHT MATERIAL AND TRADE SECRET INFORMATION BELONGING TO FALCON'S TREEHOUSE AND ITS CLIENT AS NOTED ON PACKAGE. ANY UNAUTHORIZED USE, DISCLOSURE, DISSEMINATION OR PUBLICATION OF ANY OF THE INFORMATION CONTAINED HEREIN MAY RESULT IN LIABILITY UNDER APPLICABLE LAWS.

JACKSON PLANETARIUM	
PHASE: 100% DESIGN DEVELOPMENT - SPACE STATION	DRAWING TITLE: FIRST FLOOR SIGNAGE & GRAPHICS PLAN
SCALE: AS NOTED	DATE: 01-31-2025
DWG NO.: D-611	







**LEGEND**

- - SPACE STATION MOUNTED SIGN
- ▲ - SPACE STATION BLADE SIGN
- ◆ - SPACE STATION OPERATIONS SIGN
- ◆ - EXHIBIT OPERATIONS SIGN

RUSSELL C. DAVIS  
PLANETARIUM

THIS DOCUMENT CONTAINS COPYRIGHT MATERIAL AND TRADE SECRET INFORMATION BELONGING TO FALCON'S TREEHOUSE AND ITS CLIENT AS NOTED ON PACKAGE. ANY UNAUTHORIZED USE, DISCLOSURE, DISSEMINATION OR REPLICATION OF ANY OF THE INFORMATION CONTAINED HEREIN MAY RESULT IN LIABILITY UNDER APPLICABLE LAWS.

JACKSON  
PLANETARIUM

PHASE: 000% DESIGN DEVELOPMENT - SPACE STATION  
DRAWING TITLE:

SECOND FLOOR  
SIGNAGE & GRAPHICS PLAN

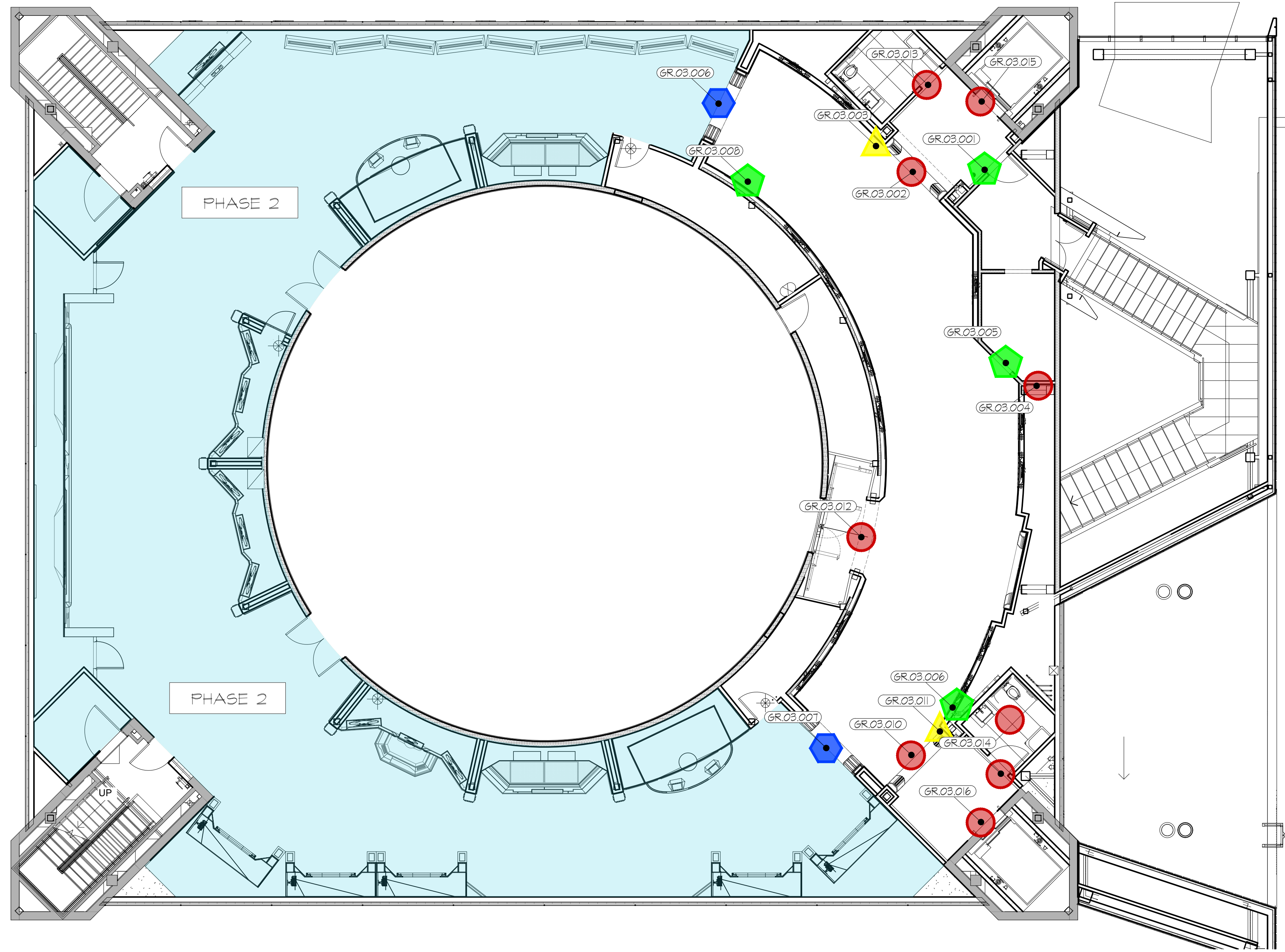
SCALE: AS NOTED  
DATE: 01-31-2025  
DWS NO.:

D-612



SECOND FLOOR - SIGNAGE & GRAPHICS PLAN  
SCALE: 1/8" = 1'

D-612



**LEGEND**

- - SPACE STATION MOUNTED SIGN
- ▲ - SPACE STATION BLADE SIGN
- ⬠ - SPACE STATION OPERATIONS SIGN
- ⬡ - EXHIBIT OPERATIONS SIGN

THIRD FLOOR - SIGNAGE & GRAPHICS PLAN  
 SCALE: 1/8" = 1'

D-613

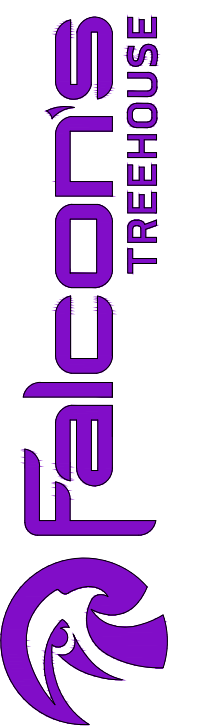
RUSSELL C. DAVIS  
 PLANETARIUM

THIS DOCUMENT CONTAINS COPYRIGHT MATERIAL AND TRADE SECRET INFORMATION BELONGING TO FALCONS TREEHOUSE AND ITS CLIENT AS NOTED ON PACKAGE. ANY UNAUTHORIZED USE, DISCLOSURE, DISSEMINATION OR PUBLICATION OF ANY OF THE INFORMATION CONTAINED HEREIN MAY RESULT IN LIABILITY UNDER APPLICABLE LAWS.

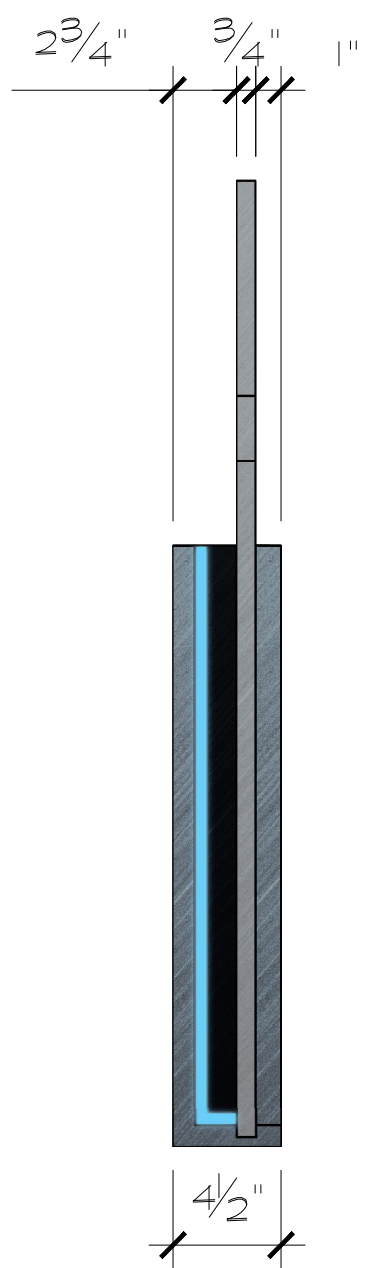
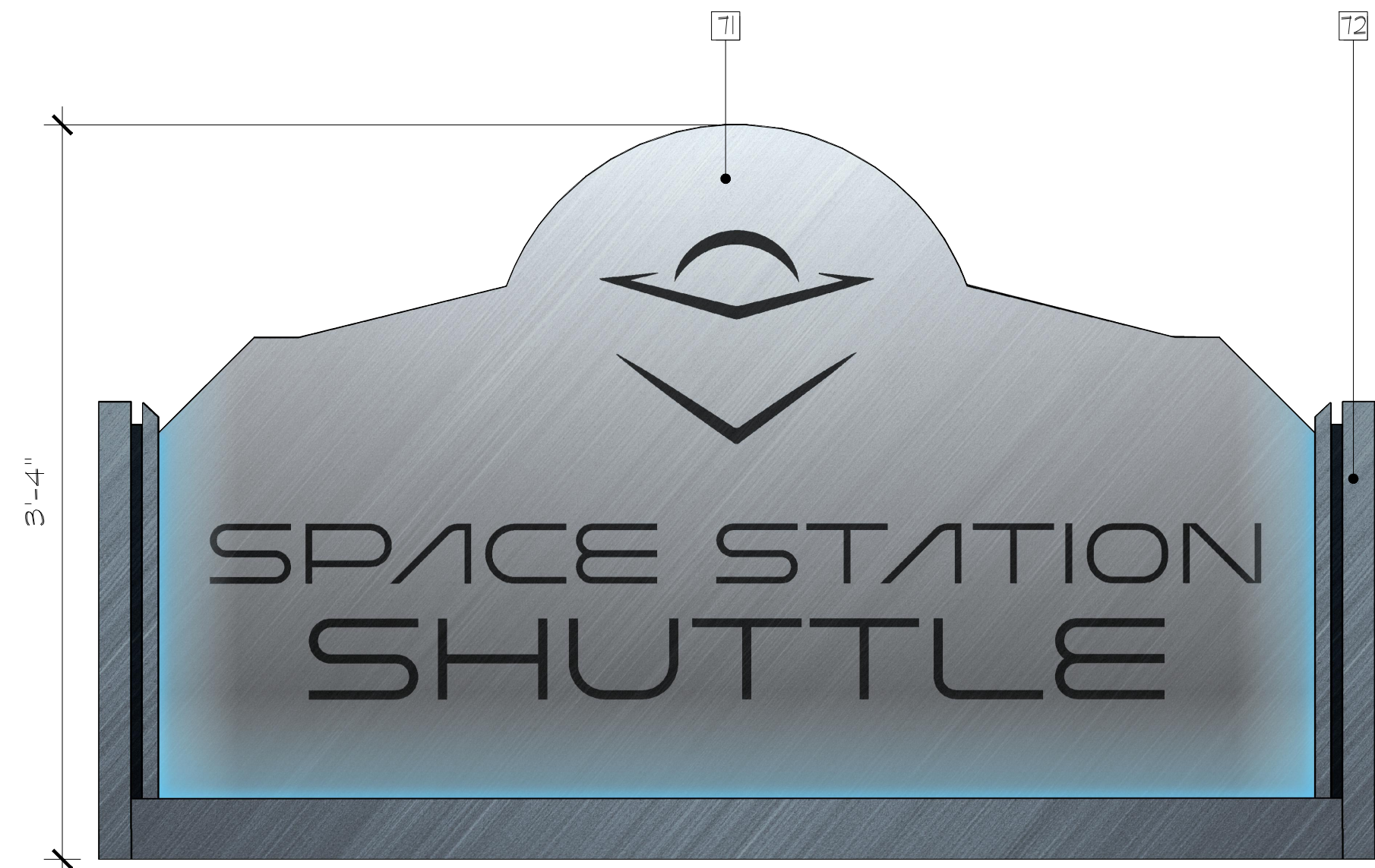
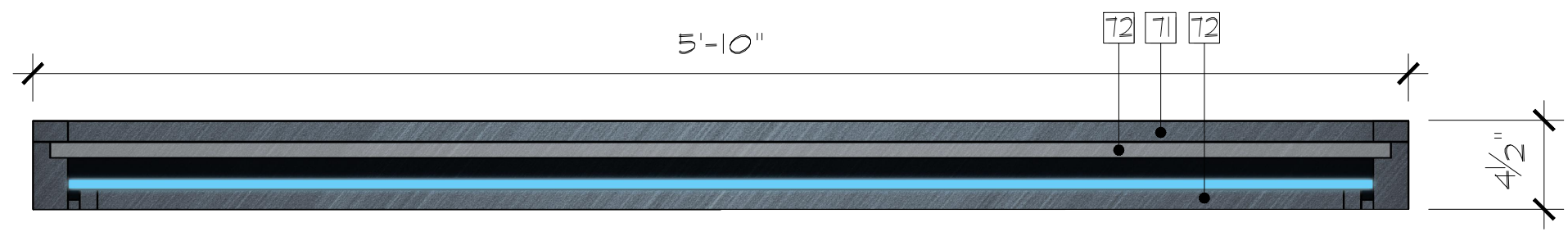
JACKSON  
 PLANETARIUM

PHASE 1 00% DESIGN DEVELOPMENT - SPACE STATION  
 DRAWING TITLE  
 THIRD FLOOR  
 SIGNAGE & GRAPHICS PLAN

SCALE AS NOTED  
 DATE 01-31-2025  
 DWG NO. D-613

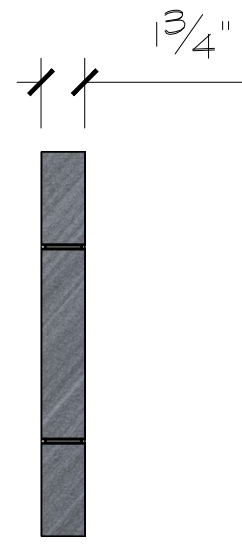
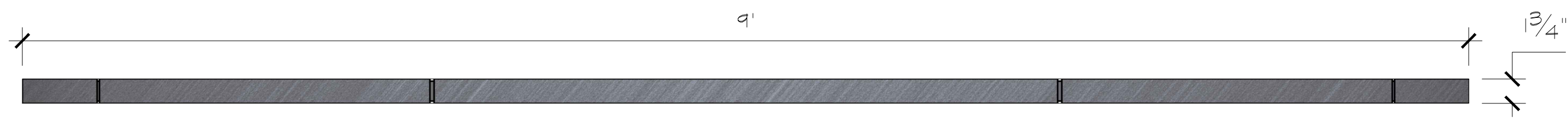






GR.01.001 - SPACE STATION MARQUEE - DETAIL  
SCALE: 1-1/2" = 1'

- D-621



GR.03.012 - THEATER SIGNAGE - DETAIL  
SCALE: 1-1/2" = 1'

- D-621

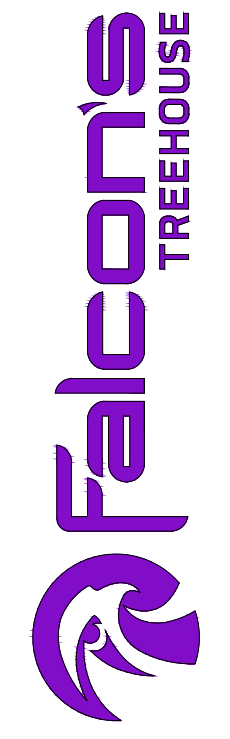
NOTES:

- T1 - DIMENSIONAL SIGNAGE FRAME CONSTRUCTED WITH MDF WITH EDGE LIT LED LIGHTING INTEGRATED INTO FRAME AND SCENIC PAINT TREATMENT.
- T2 - BRUSHED ALUMINUM WITH APPLIED GRAPHICS.
- T4 - DIMENSIONAL SIGNAGE FRAME CONSTRUCTED WITH MDF WITH SCENIC PAINT TREATMENT.
- PG-04 - KYDEX 53235 RAILING
- PG-X - BRUSHED ALUMINUM

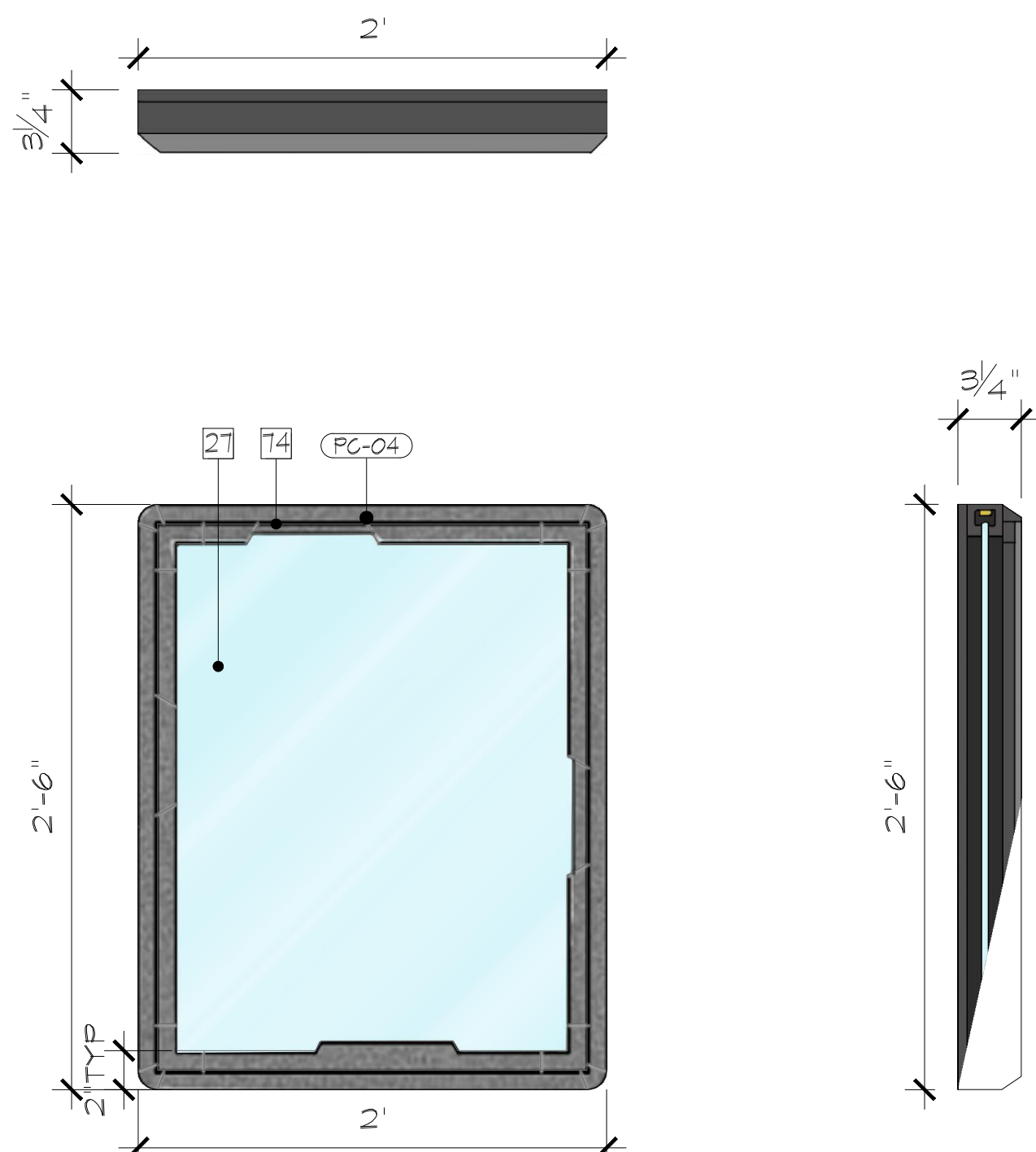
RUSSELL C. DAVIS  
PLANETARIUM

THIS DOCUMENT CONTAINS COPYRIGHT MATERIAL AND TRADE SECRET INFORMATION BELONGING TO FALCON'S TREEHOUSE AND ITS CLIENT AS NOTED ON PACKAGE. ANY UNAUTHORIZED USE, DISCLOSURE, REPRODUCTION OR PUBLICATION OF ANY OF THE INFORMATION CONTAINED HEREIN MAY RESULT IN LIABILITY UNDER APPLICABLE LAWS.

JACKSON PLANETARIUM	SIGNAGE & GRAPHICS DETAILS	DATE: 01-31-2025	DWS NO.: D-621
PHASE: 000% DESIGN DEVELOPMENT - SPACE STATION	DRAWING TITLE:	SCALE: AS NOTED	DWS NO.:



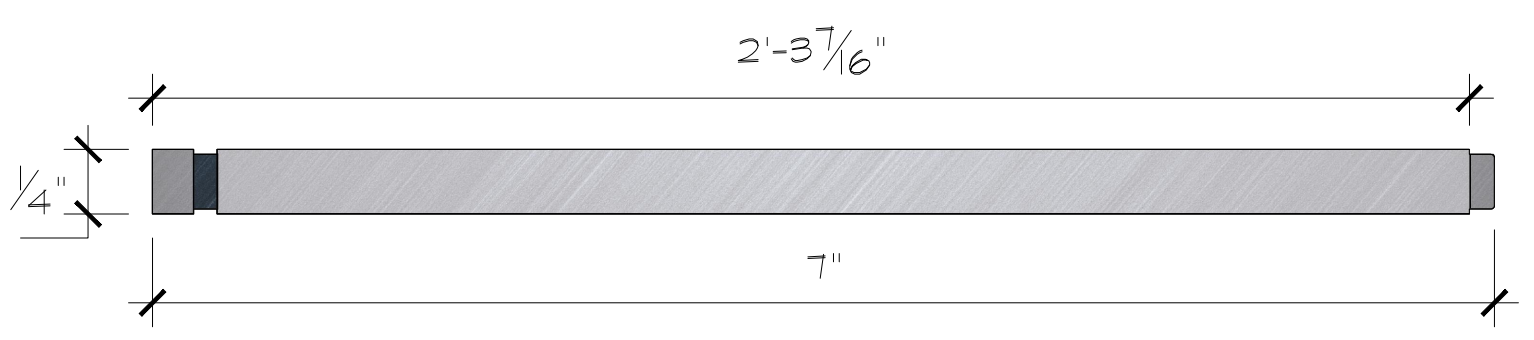




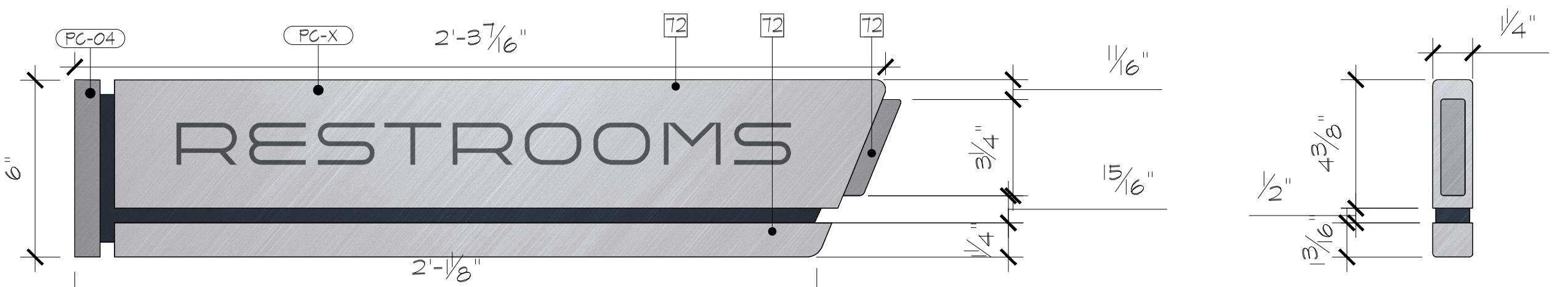
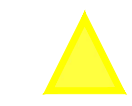
- LIST OF SIGNAGE IN THIS STYLE:
- GR.03.005
  - GR.03.006
  - GR.03.007
  - GR.03.008
  - GR.03.004



GR.03.008 - SPACE STATION DIRECTIONAL SIGNAGE - DETAIL  
SCALE: 1-1/2" = 1'



- LIST OF SIGNAGE IN THIS STYLE:
- GR.03.003
  - GR.03.011



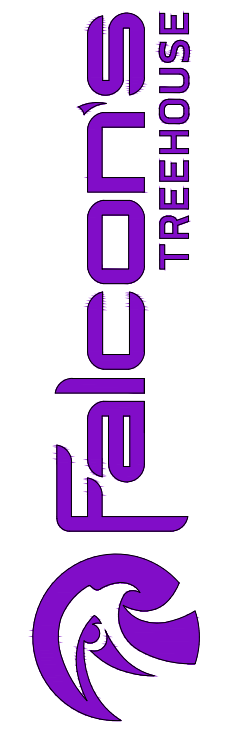
GR.03.003 - SPACE STATION BLADE SIGNAGE - DETAIL  
SCALE: 3" = 1'

- NOTES:
- 21 - WAYFINDING SIGNAGE. ACRYLIC CENTER PANEL, EDGE LIT WITH LED LIGHTING INTEGRATED INTO FRAME. SIGNAGE FRAME CONSTRUCTED OF MDF WITH SCENIC PAINT TREATMENT. PLEASE REFER TO GRAPHICS SCHEDULE FOR FURTHER DETAILS.
  - 12 - BRUSHED ALUMINUM WITH APPLIED GRAPHICS.
  - 14 - DIMENSIONAL SIGNAGE FRAME CONSTRUCTED OF MDF WITH SCENIC PAINT TREATMENT.
  - PC-04 - KYDEX 53235 RAILING
  - PC-X - BRUSHED ALUMINUM

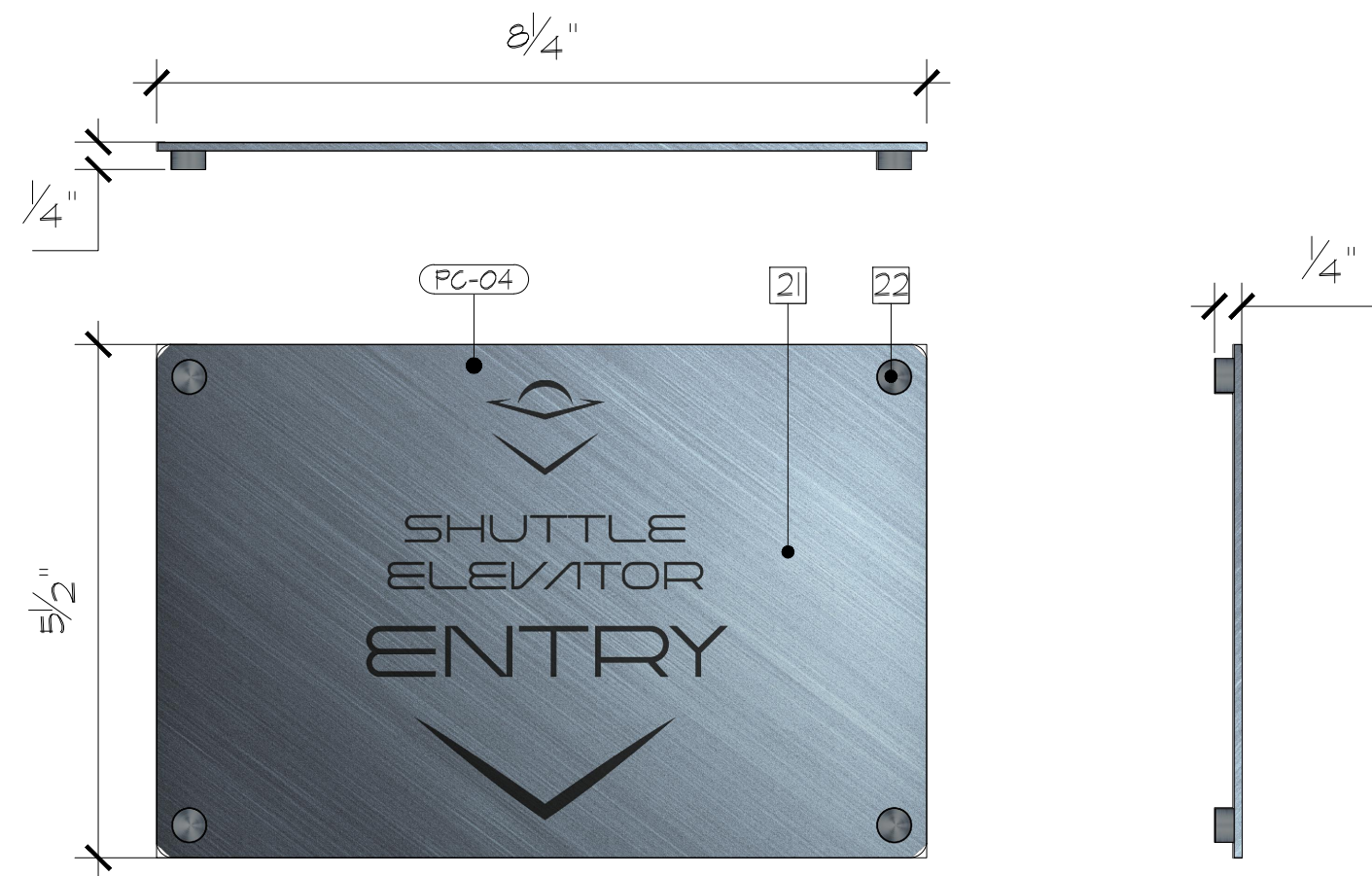
RUSSELL C. DAVIS  
PLANETARIUM

THIS DOCUMENT CONTAINS COPYRIGHT MATERIAL AND TRADE SECRET INFORMATION BELONGING TO FALCON'S TREEHOUSE AND ITS CLIENT AS NOTED ON PACKAGE. ANY UNAUTHORIZED USE, DISCLOSURE, REPRODUCTION OR PUBLICATION OF ANY OF THE INFORMATION CONTAINED HEREIN MAY RESULT IN LIABILITY UNDER APPLICABLE LAWS.

JACKSON PLANETARIUM	PHASE: 003 DESIGN DEVELOPMENT - SPACE STATION	DATE: 01-31-2025	DWG NO.: D-622
SIGNAGE & GRAPHICS DETAILS	DRAWING TITLE:	SCALE: AS NOTED	







- LIST OF SIGNAGE IN THIS STYLE:
- GR.01.001
  - GR.01.002
  - GR.01.004
  - GR.02.001
  - GR.03.002
  - GR.03.004
  - GR.03.010
  - GR.03.012
  - GR.03.013
  - GR.03.014
  - GR.03.015
  - GR.03.016

GR.01.002 - SPACE STATION MOUNTED SIGN - DETAIL  
SCALE: 6" = 1" D-623



- LIST OF SIGNAGE IN THIS STYLE:
- GR.01.001
  - GR.01.002
  - GR.01.004
  - GR.02.001
  - GR.03.002
  - GR.03.004
  - GR.03.010
  - GR.03.012
  - GR.03.013
  - GR.03.014
  - GR.03.015
  - GR.03.016

GR.01.004 - SPACE STATION MOUNTED SIGN - DETAIL  
SCALE: 6" = 1" D-623

NOTES:

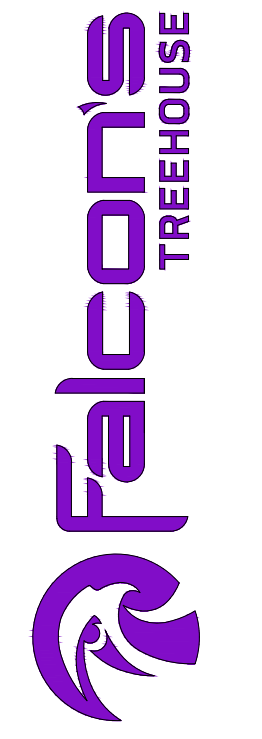
- 21 - BRUSHED ALUMINUM WITH PRINTED GRAPHICS
- 22 - EXPOSED ALUMINUM HARDWARE
- PC-04 - KYDEX 53235 RAILING

RUSSELL C. DAVIS  
PLANETARIUM

THIS DOCUMENT CONTAINS COPYRIGHT MATERIAL AND TRADE SECRET INFORMATION BELONGING TO FALCON'S TREEHOUSE AND ITS CLIENT AS NOTED ON PACKAGE. ANY UNAUTHORIZED USE, DISCLOSURE, DISSEMINATION OR PUBLICATION OF ANY OF THE INFORMATION CONTAINED HEREIN MAY RESULT IN LIABILITY UNDER APPLICABLE LAWS.

JACKSON  
PLANETARIUM

PHASE: 00% DESIGN DEVELOPMENT - SPACE STATION  
DRAWING TITLE: SIGNAGE & GRAPHICS DETAILS  
SCALE: AS NOTED  
DATE: 01-31-2025  
DWS NO.: D-623





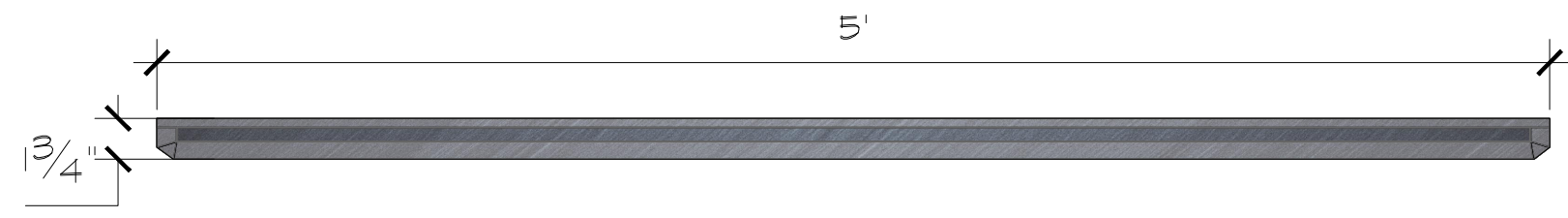


LIST OF SIGNAGE IN THIS STYLE:

- GR.01.001
- GR.01.002
- GR.01.004
- GR.02.001
- GR.03.002
- GR.03.004
- GR.03.010
- GR.03.012
- GR.03.013
- GR.03.014
- GR.03.015
- GR.03.016

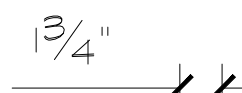


GR.03.001 - SPACE STATION OPERATIONS SIGN - DETAIL  
SCALE: 3" = 1' D-624



LIST OF SIGNAGE IN THIS STYLE:

- GR.01.001
- GR.01.002
- GR.01.004
- GR.02.001
- GR.03.002
- GR.03.004
- GR.03.010
- GR.03.012
- GR.03.013
- GR.03.014
- GR.03.015
- GR.03.016



GR.03.002 - SPACE STATION MOUNTED SIGN - DETAIL  
SCALE: 1 1/2" = 1' D-625

NOTES:

- 11 - WAYFINDING SIGNAGE. FRAME CONSTRUCTED OF KYDEX OR SIMILAR WITH METALLIC PAINT FINISH.
- 2 - BRUSHED ALUMINUM WITH PRINTED GRAPHICS
- 22 - EXPOSED ALUMINUM HARDWARE
- PG-04 - KYDEX 53235 RAILING

RUSSELL C. DAVIS  
PLANETARIUM

THIS DOCUMENT CONTAINS COPYRIGHT MATERIAL AND TRADE SECRET INFORMATION BELONGING TO FALCON'S TREEHOUSE AND ITS CLIENT AS NOTED ON PACKAGE. ANY UNAUTHORIZED USE, DISCLOSURE, DISSEMINATION OR PUBLICATION OF ANY OF THE INFORMATION CONTAINED HEREIN MAY RESULT IN LIABILITY UNDER APPLICABLE LAWS.

JACKSON  
PLANETARIUM

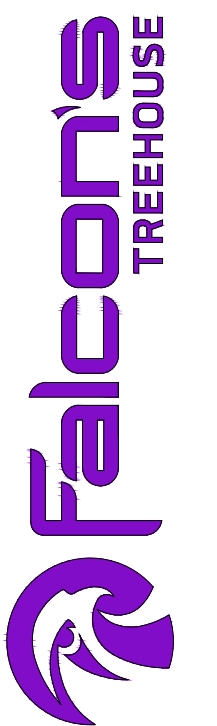
PHASE: 000% DESIGN DEVELOPMENT - SPACE STATION

DRAWING TITLE: SIGNAGE & GRAPHICS DETAILS

SCALE: AS NOTED

DATE: 01-31-2025

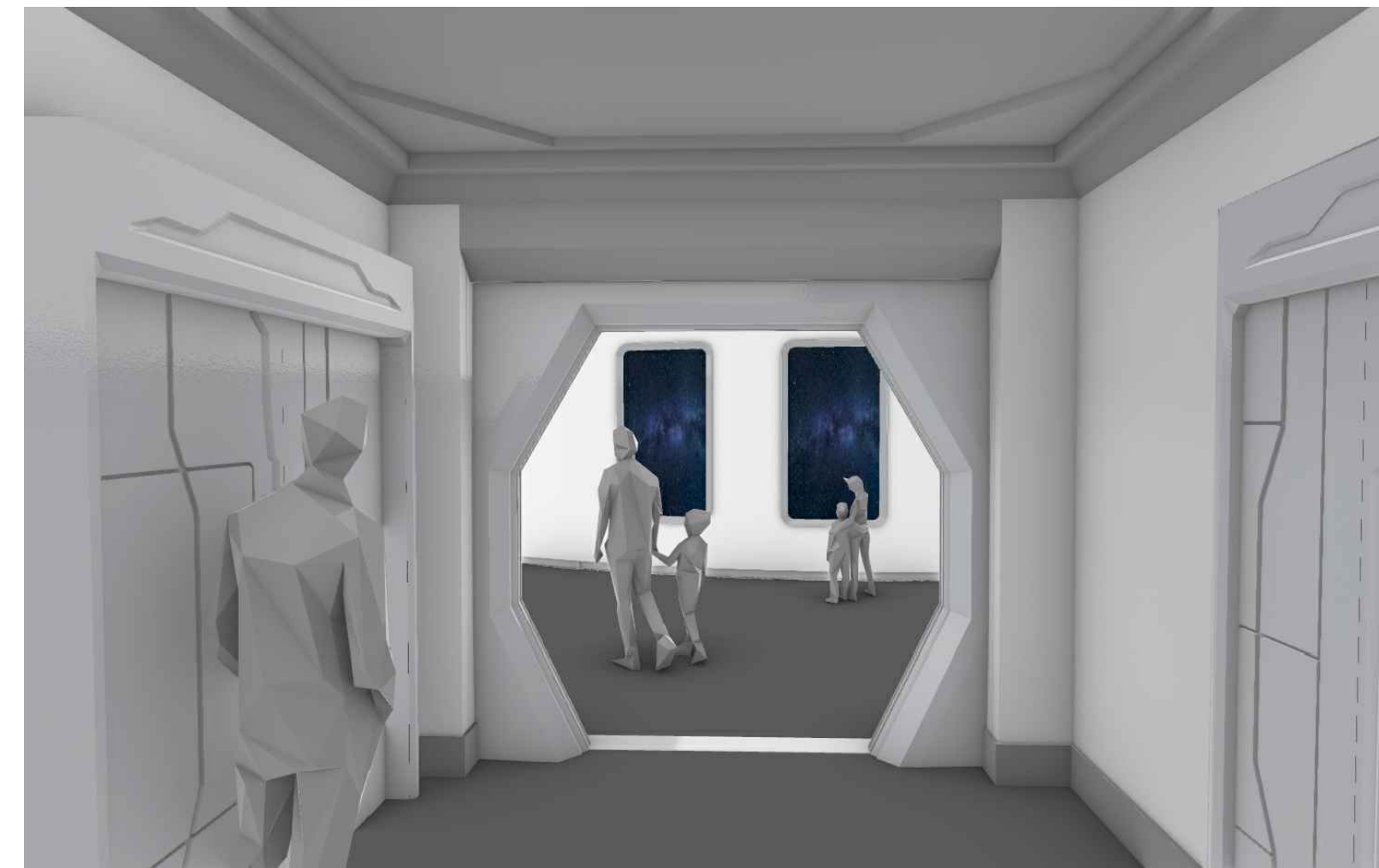
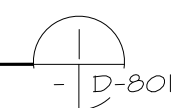
DWG NO.: D-624



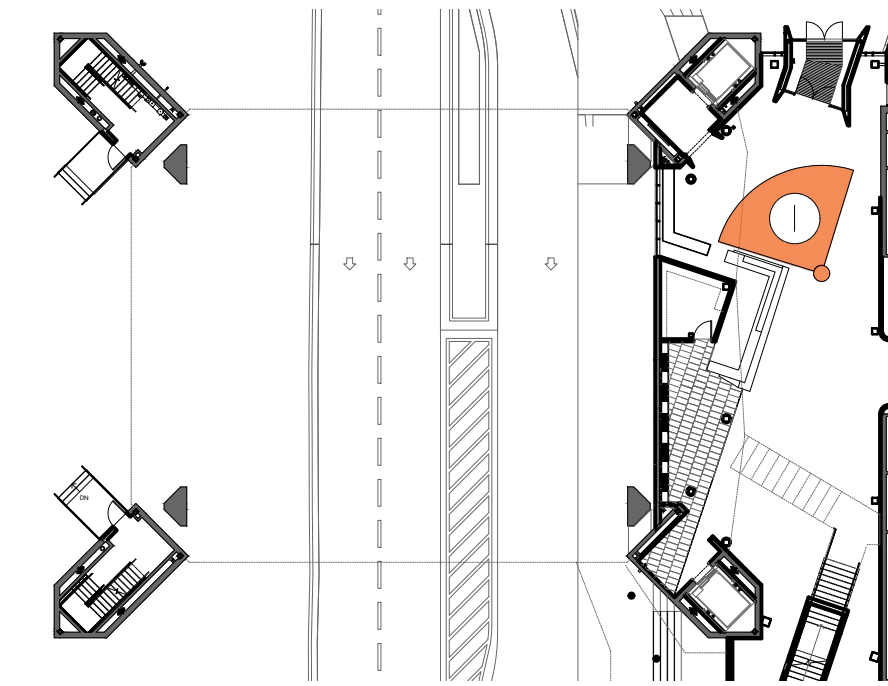
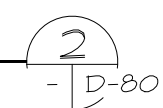




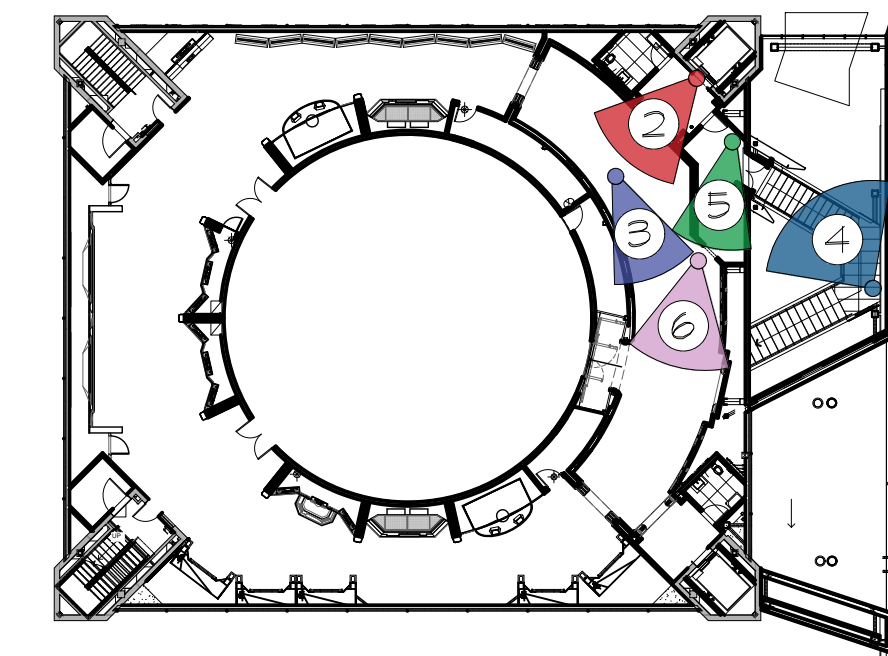
MODEL SHOT - FIRST FLOOR ELEVATOR  
SCALE: N.T.S.



MODEL SHOT - ELEVATOR EXIT  
SCALE: N.T.S.



KEY PLAN - FIRST FLOOR



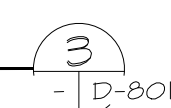
KEY PLAN - THIRD FLOOR

RUSSELL C. DAVIS  
PLANETARIUM

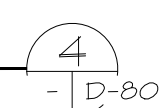
THIS DOCUMENT CONTAINS COPYRIGHT MATERIAL AND TRADE SECRET INFORMATION BELONGING TO FALCON'S TREEHOUSE AND ITS CLIENT AS NOTED ON PACKAGE. ANY UNAUTHORIZED USE, DISCLOSURE, REPRODUCTION OR PUBLICATION OF ANY OF THE INFORMATION CONTAINED HEREIN MAY RESULT IN LIABILITY UNDER APPLICABLE LAWS.



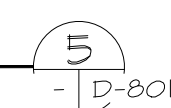
MODEL SHOT - SPACE STATION I  
SCALE: N.T.S.



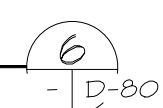
MODEL SHOT - GANTRY ENTRY  
SCALE: N.T.S.



MODEL SHOT - GANTRY STAIR ANTE-ROOM  
SCALE: N.T.S.



MODEL SHOT - ENTRY FROM AIRLOCK  
SCALE: N.T.S.



GENERAL NOTES

- ALL MODEL SHOTS ARE FOR VISUAL REFERENCE AND STYLE. DRAWINGS WITHIN THIS PACKAGE SUPERSEDE FINISHES, LAYOUTS, DETAILS, AND OTHER INFORMATION SHOWN WITHIN THESE IMAGES

JACKSON  
PLANETARIUM

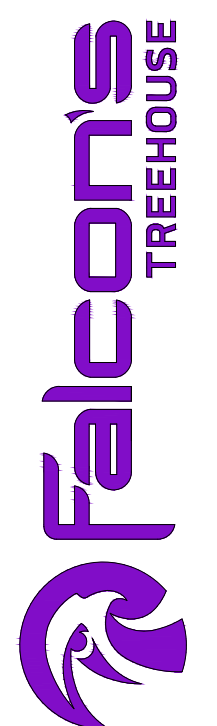
PHASE: 00% DESIGN DEVELOPMENT - SPACE STATION

DRAWING TITLE: SUPPLEMENTAL IMAGERY MODEL SHOTS

SCALE: AS NOTED

DATE: 01-31-2025

DWG NO.: D-801





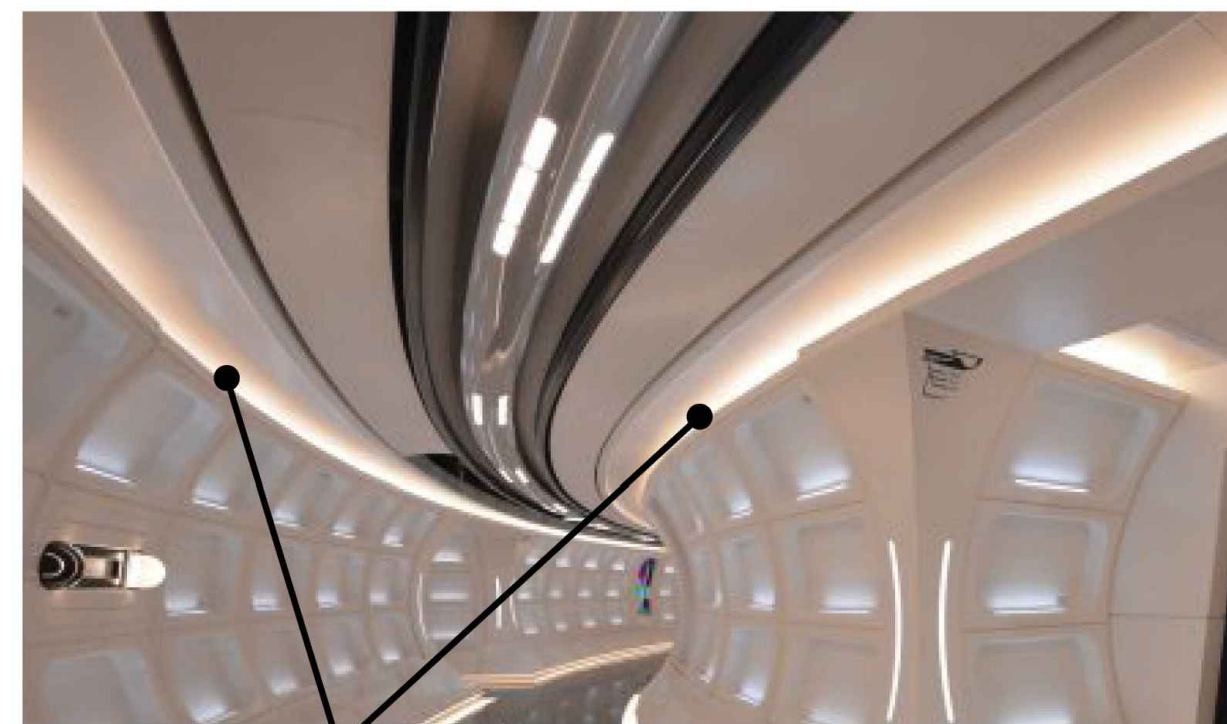
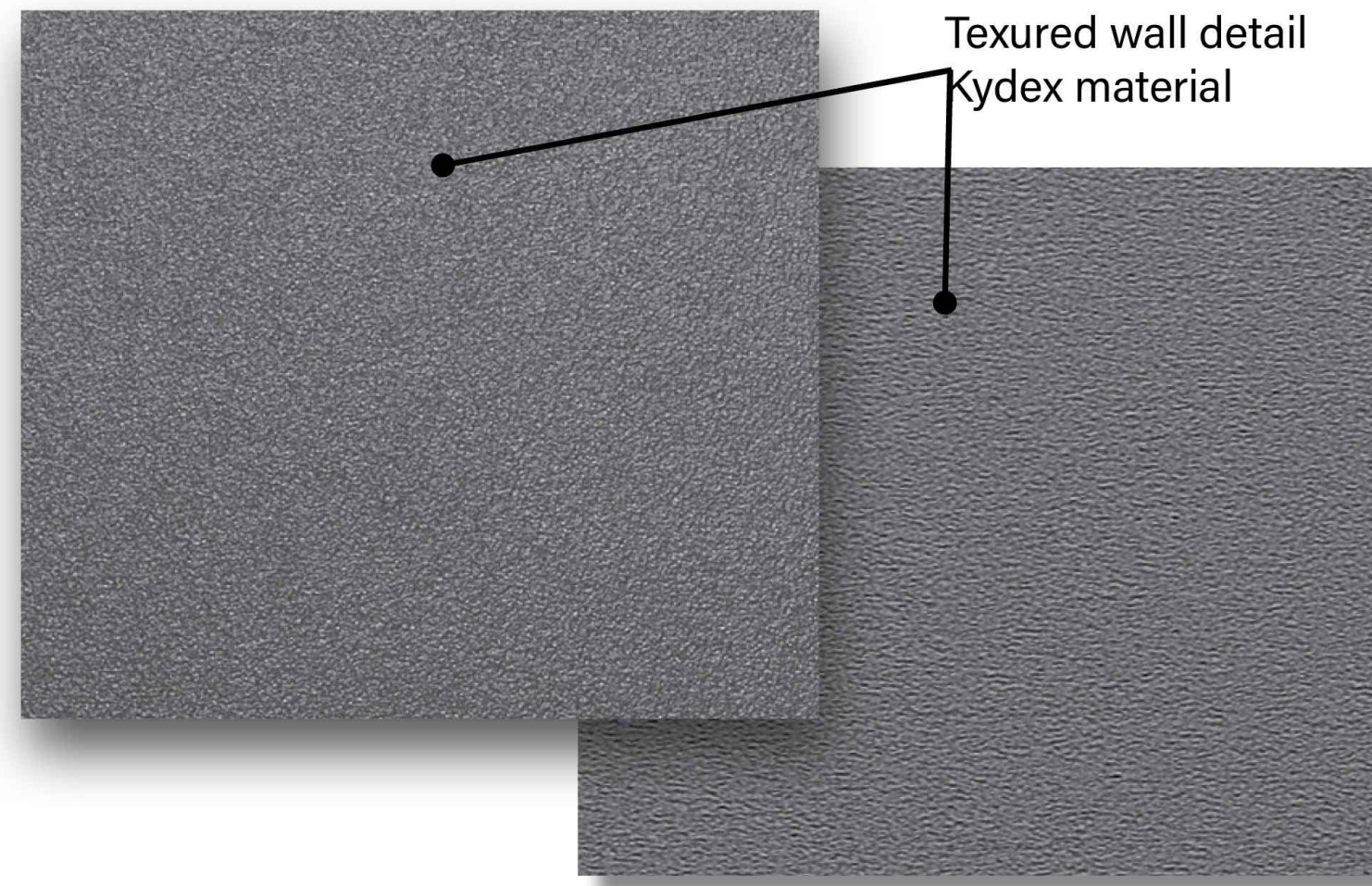
Paneled ceiling detail with embedded LED lighting.



Space station windows as embedded monitors.

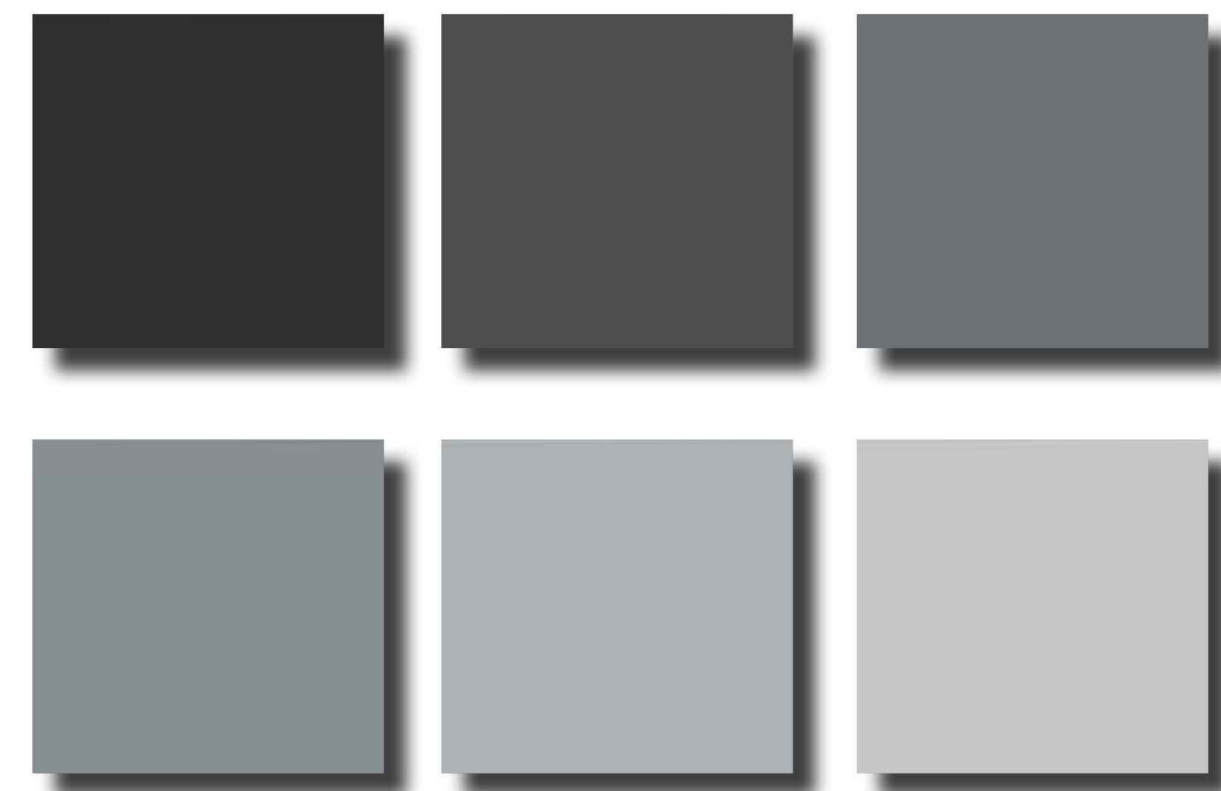
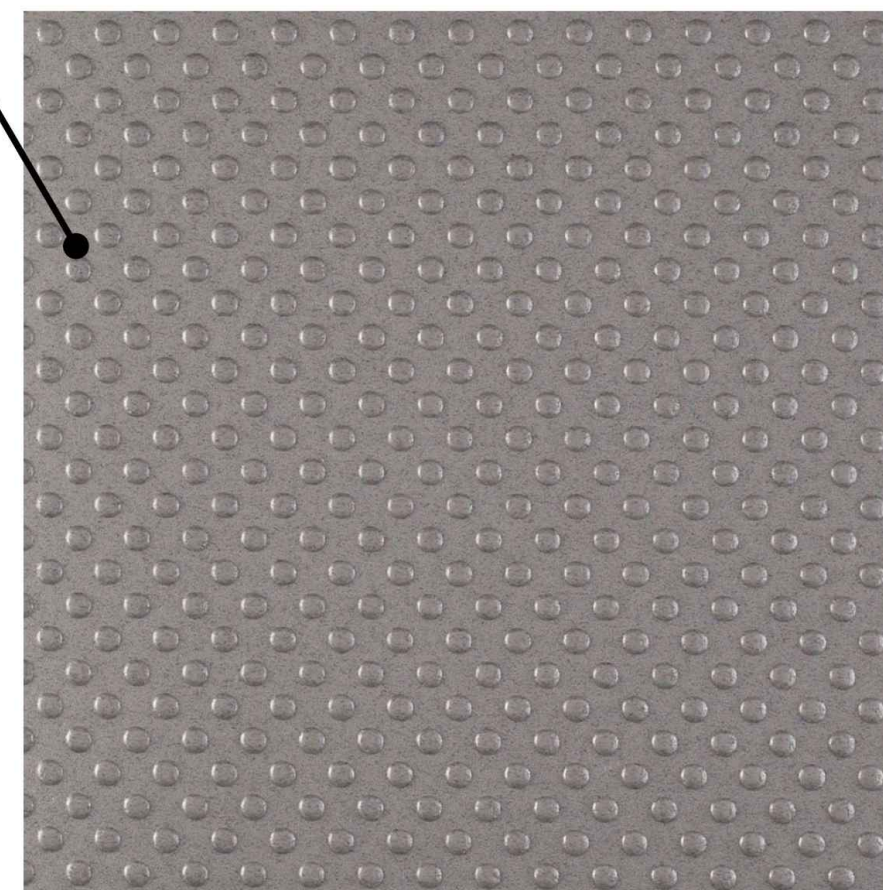


Textured wall detail  
Kydex material



Embedded LED lighting molding detail.

Textured floor detail  
Lonseal flooring product



Wall material color selection.

RUSSELL C. DAVIS  
PLANETARIUM

THIS DOCUMENT CONTAINS COPYRIGHT MATERIAL AND TRADE SECRET INFORMATION BELONGING TO FALCON'S TREEHOUSE AND ITS CLIENT AS NOTED ON PACKAGE. ANY UNAUTHORIZED USE, DISCLOSURE, DISSEMINATION OR PUBLICATION OF ANY OF THE INFORMATION CONTAINED HEREIN MAY RESULT IN LIABILITY UNDER APPLICABLE LAWS.

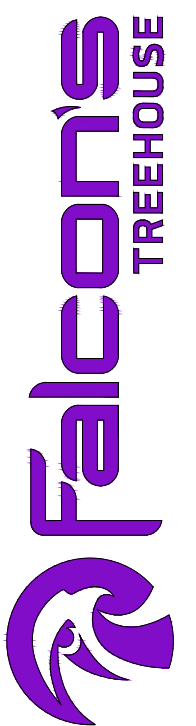
JACKSON  
PLANETARIUM

PHASE: 00% DESIGN DEVELOPMENT - SPACE STATION  
DRAWING TITLE:

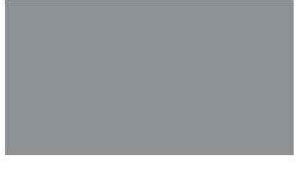
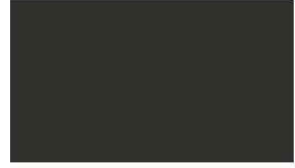



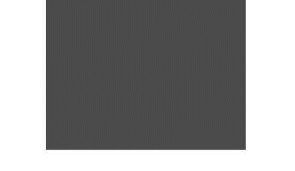
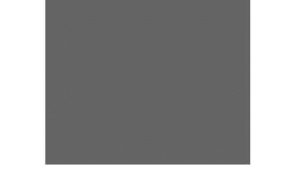
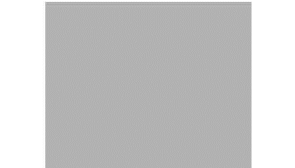

SPACE STATION  
STYLE BOARD

SCALE: AS NOTED  
DATE: 01-31-2025

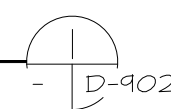
DWG NO.: D-901





Jackson Planetarium			FINISHES			
Category	ID	Location Description	Details Part # / Item Name / Color	Manufacturer Site Link / Contact	Image	Notes
PAINT & CLADDING	PC-001		Bayou 53260	Kydex		
	PC-002		Runway 72943	Kydex		
	PC-003		Porch 53233	Kydex		
	PC-004		Railing 53235	Kydex		
	PC-005		TEXTURE FOR KYDEX COLORS Cashmere PK	Kydex Texture Option		
	PC-006		TEXTURE FOR KYDEX COLORS Velour Matte P3	Kydex Texture Option		
	PC-007	Wall Color	7069 Iron Ore	Sherwin Williams		
	PC-008	Wall Color	7062 Rock Bottom	Sherwin Williams		
	PC-009	Wall Color	7075 Web Gray	Sherwin Williams		
	PC-010	Wall Color	7072 Online	Sherwin Williams		
	PC-011	Wall Color	7073 Network Gray	Sherwin Williams		
	PC-012	Wall Color	7067 Cityscape	Sherwin Williams		
	PC-013	Go Away Blue	Pantone 540U			
	PC-014	Wall Color	6254 Lazy Gray			

FINISH SCHEDULE  
SCALE: N.T.S.



RUSSELL C. DAVIS  
PLANETARIUM

THIS DOCUMENT CONTAINS COPYRIGHT MATERIAL  
AND TRADE SECRET INFORMATION BELONGING TO  
FALCON'S TREEHOUSE AND ITS CLIENT AS NOTED  
ON PACKAGE. ANY UNAUTHORIZED USE, DISCLOSURE,  
DISSEMINATION OR PUBLICATION OF ANY OF THE  
INFORMATION CONTAINED HEREIN MAY RESULT IN  
LIABILITY UNDER APPLICABLE LAWS.

JACKSON  
PLANETARIUM

PHASE: 000% DESIGN DEVELOPMENT - SPACE STATION

DRAWING TITLE:

SPACE STATION  
FINISH SCHEDULE

SCALE: AS NOTED

DWG NO.: D-902







RUSSELL C. DAVIS  
**PLANETARIUM**

**PLANETARIUM  
RE-IMAGINING**

**100% DESIGN DEVELOPMENT  
Exhibit Area**

January 31, 2025



RUSSELL C. DAVIS  
**PLANETARIUM**

THIS DOCUMENT CONTAINS COPYRIGHT MATERIAL AND TRADE SECRET INFORMATION BELONGING TO FALCON'S TREEHOUSE AND ITS CLIENT AS NOTED ON PACKAGE. ANY UNAUTHORIZED USE, DISCLOSURE, REPRODUCTION OR PUBLICATION OF ANY OF THE INFORMATION CONTAINED HEREIN MAY RESULT IN LIABILITY UNDER APPLICABLE LAWS.

JACKSON  
PLANETARIUM

PHASE: 100% DESIGN DEVELOPMENT - EXHIBIT AREA  
DRAWING TITLE:

COVER PAGE

SCALE: AS NOTED  
DATE: 01-31-2025  
DWS NO.:

D2-001





# DRAWING INDEX

SHEET TITLE	REV. NO.	LAST ISSUED	SHEET TITLE	NO.	LAST ISSUED	SHEET TITLE	NO.	LAST ISSUED
<b>GENERAL</b>								
D2-001	TITLE	31-JAN-2025						
D2-002	DRAWING INDEX	31-JAN-2025						
D2-003	GENERAL NOTES	31-JAN-2025						
D2-004	OVERALL NOTES	31-JAN-2025						
<b>OVERALL PLANS</b>								
D2-101	THIRD FLOOR - OVERALL PLAN	31-JAN-2025						
D2-111	THIRD FLOOR - DIMENSIONED PLAN	31-JAN-2025						
D2-121	THIRD FLOOR - ZONE PLAN	31-JAN-2025						
D2-131	THIRD FLOOR - GUEST FLOW PLAN	31-JAN-2025						
D2-141	THIRD FLOOR - FLOOR FINISH PLAN	31-JAN-2025						
D2-142	THIRD FLOOR - ILLUSTRATIVE FLOOR PLAN	31-JAN-2025						
D2-151	THIRD FLOOR - REFLECTED CEILING PLAN	31-JAN-2025						
D2-161	THIRD FLOOR - POWER & DATA PLAN	31-JAN-2025						
D2-171	THIRD FLOOR - POWER & DATA RCP	31-JAN-2025						
D2-181	THIRD FLOOR - LIGHTING CONTROL INTENT	31-JAN-2025						
D2-182	THIRD FLOOR - AUDIO DESIGN INTENT	31-JAN-2025						
<b>OVERALL ELEVATIONS</b>								
D2-201	EXHIBIT AREA - B&W ELEVATIONS	31-JAN-2025						
D2-202	EXHIBIT AREA - B&W ELEVATIONS	31-JAN-2025						
D2-203	EXHIBIT AREA - B&W ELEVATIONS	31-JAN-2025						
D2-301	EXHIBIT AREA - ELEVATIONS	31-JAN-2025						
D2-302	EXHIBIT AREA - ELEVATIONS	31-JAN-2025						
D2-303	EXHIBIT AREA - ELEVATIONS	31-JAN-2025						
<b>OVERALL DETAILS</b>								
D2-501	EXHIBIT DETAIL - COLUMN CLADDING	31-JAN-2025						
D2-503	EXHIBIT DETAIL - TRACE LIGHTING	31-JAN-2025						
D2-510	OVERALL SITE - AV LINE DIAGRAM	31-JAN-2025						
D2-521	E02 - PROJECTED DISPLAY	31-JAN-2025						
D2-522	E02 - PROJECTED DISPLAY	31-JAN-2025						
D2-523	E02 - PROJECTED DISPLAY	31-JAN-2025						
D2-531	E03 - ASTRONAUT INTERACTIVE	31-JAN-2025						
D2-532	E03 - ASTRONAUT INTERACTIVE	31-JAN-2025						
D2-561	E06 - SPACE PORTAL	31-JAN-2025						
D2-562	E06 - SPACE PORTAL	31-JAN-2025						
D2-563	E06 - SPACE PORTAL	31-JAN-2025						
D2-591	EXHIBIT AREA - WIRING CHART	31-JAN-2025						
D2-592	OVERALL SITE - PRELIMINARY INTERCONNECT	31-JAN-2025						
<b>SIGNAGE &amp; GRAPHICS</b>								
D2-601	SIGNAGE & GRAPHICS SCHEDULE	31-JAN-2025						
D2-611	SIGNAGE & GRAPHICS PLAN - EXHIBIT SPACE	31-JAN-2025						
D2-621	SIGNAGE DETAIL	31-JAN-2025						
D2-622	SIGNAGE DETAIL	31-JAN-2025						
D2-623	SIGNAGE DETAIL	31-JAN-2025						
<b>SUPPLEMENTARY IMAGERY</b>								
D2-901	EXHIBIT SPACE - STYLE BOARD	31-JAN-2025						
D2-902	FINISH SCHEDULE	31-JAN-2025						
D2-903	FINISH SCHEDULE	31-JAN-2025						
D2-951	PHASE 2 RECOMMENDATIONS	31-JAN-2025						

RUSSELL C. DAVIS  
PLANETARIUM

THIS DOCUMENT CONTAINS COPYRIGHT MATERIAL AND TRADE SECRET INFORMATION BELONGING TO FALCON'S TREEHOUSE AND ITS CLIENT AS NOTED ON PACKAGE. ANY UNAUTHORIZED USE, DISCLOSURE, DISSEMINATION OR PUBLICATION OF ANY OF THE INFORMATION CONTAINED HEREIN MAY RESULT IN LIABILITY UNDER APPLICABLE LAWS.

JACKSON  
PLANETARIUM

PHASE: 100% DESIGN DEVELOPMENT - EXHIBIT AREA

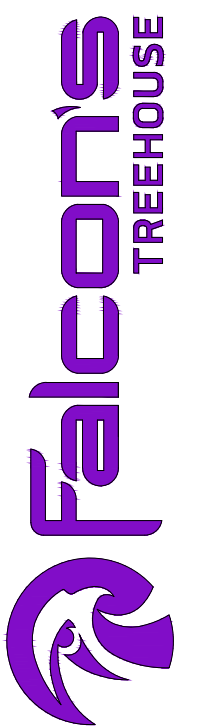
DRAWING TITLE

INDEX

SCALE: AS NOTED

DATE: 01-31-2025

D2-002





# ABBREVIATIONS

## GENERAL

@	AT
CL	CENTERLINE
(E)	EXISTING
AFF	ABOVE FINISH FLOOR
ACT	ACOUSTICAL CEILING TILE
APRX	APPROXIMATE
ASPH	ASPHALT
BOH	BACK OF HOUSE
CLG	CEILING
COL	COLUMN
CONC	CONCRETE
CTR	CENTER
DET	DETAIL
DIA	DIAMETER
DIM	DIMENSION
DN	DOWN
DR	DOOR
DWG	DRAWINGS
E	EAST
EA	EACH
EL	ELEVATION
ELEC	ELECTRICAL
EQ	EQUAL
EQUIP	EQUIPMENT SPEC
EXT	EXTERIOR
FL	FLOOR
GC	GENERAL CONTRACTOR
GL	GLASS/GLAZING
GYP	GYPSON
GWB	GYPSON WALL BOARD
HC	HOLLOW CORE
HR	HANDRAIL
INT	INTERIOR
JAN	JANITOR
LAV	LAVATORY
LT	LIGHT
MAX	MAXIMUM
MFR	MANUFACTURER
MIN	MINIMUM
MIR	MIRROR
MISC	MISCELLANEOUS
MTD	MOUNTED
MUL	MULLION
NIS	NOT IN SCOPE
NO OR #	NUMBER
NTS	NOT TO SCALE
OC	ON CENTER
PB	PLUMBING FIXTURE
PLAS	PLASTER
PLYWD	PLYWOOD
RM	ROOM
S	SOUTH
SC	SOLID CORE
SO	SQUARE
SS	STAINLESS STEEL
ST	STAIRS
STD	STANDARD
TYP	TYPICAL
UON	UNLESS OTHERWISE NOTED
VIF	VERIFY IN FIELD
W	WEST
W	WITH
WIN	WINDOW
WC	WATER CLOSET
WD	WOOD

## SCENIC FINISHES

C	CARPET
FM	FLOOR MOSAIC
FT/WT	FLOOR OR WALL TILE
LAM	LAMINATE
M	MOLDING
MAF	MISCELLANEOUS WALL FINISH
MWP	METAL WALL PANEL
P	PAINT TREATMENT
PL	PLASTIC LAMINATE
RF	RESILIENT FLOORING
S	STAIN WOOD
SC	STAINED & SEALED CONCRETE
ST	STONE SLAB
SS	SOLID SURFACE
SPT	SPECIALTY PAINT TREATMENT
SWP	SPECIALTY WALL PANEL
T&G	TONGUE AND GROOVE
VB	VINYL BASE BOARD
VF	VINYL FLOORING
WC	WALL COVERING
WF	WOOD FLOORING
WIN	WINDOW TREATMENTS
WSC	WAINSCOT

## AV

M	MONITOR
S	SPEAKER
PR	PROJECTOR
P	MEDIA PLAYER
D	AUTOMATED DOORS

## LIGHTING

CL	COVE LIGHTING
DL	DECORATIVE LIGHTING
EM	EMERGENCY LIGHT
F	FLOURESCENT LIGHT
L	LAMP
LED	LED LIGHT
PL	PENDANT LIGHT
RL	RECESSED LIGHTING
TL	TRACK LIGHTING

## GRAPHICS & SIGN.

AG	APPLIED GRAPHIC
DS	DIMENSIONAL SIGN
VN	APPLIED VINYL GRAPHIC
WM	WALL MURAL
WF	WAYFINDING

## FURNITURE & EQUIP.

B&B	BOOTHS & BANQUETTES
BN	BENCH
CH	CHAIR
F	FURNITURE
LKR	LOCKER
TB	TABLE
TR	TRASH RECEPTACLE

# GRAPHIC SYMBOLS

## GENERAL / CONSTRUCTION

SYMBOL	DESCRIPTION
	INDICATES ELEVATION NUMBER INDICATES SHEET NUMBER
	SECTION REFERENCE LETTER DRAWING REFERENCE NUMBER
	DETAIL REFERENCE NUMBER INDICATES SHEET NUMBER
	INDICATES HEIGHT OF SURFACE FROM FINISHED FLOOR
	INDICATES HEIGHT OF FINISHED FLOOR
	INTERIOR PARTITION WALLS
	FACILITY EXTERIOR WALLS
	HEADER / SURFACE ABOVE
	INDICATES AREA RESERVED FOR HVAC
	DOOR

## REFERENCE SYMBOLS

SYMBOL	DESCRIPTION
	DESIGNATED GRAPHIC LOCATIONS
	PROPOSED FAN LOCATIONS
	BACKLIT WINDOW BOX
	PRIMARY GUEST FLOW
	GROUP GUEST FLOW
	EXIT GUEST FLOW
	EMERGENCY ACCESS
	OUTSIDE OF DRAWING EXTENTS

## DISCIPLINE TAGS

SYMBOL	DESCRIPTION
	ARCHITECTURAL NOTING
	FINISH TAG

# GENERAL NOTES

1. THE INFORMATION AND MATERIAL CONTAINED IN THIS DRAWING IS FOR DESIGN INTENT ONLY. FINAL CONSTRUCTION IS TO REFLECT INTENT IN PHYSICAL AND FUNCTIONAL FORM. FINAL ARCHITECTURE, ENGINEERING AND CONSTRUCTION METHODS ARE TO BE DETERMINED BY THE PROPER LICENSED VENDORS.
2. CONSTRUCTION MATERIALS AND METHODS ARE TO MEET OR EXCEED LOCAL BUILDING CODE STANDARDS AND WILL BE DETERMINED BY THE FM AND LOCAL VENDORS.
3. SCENIC FINISHES ARE TO BE APPROVED BY THE DESIGNATED SCENIC ART DIRECTOR.
4. IT IS THE INTENT OF FTH TO PRODUCE THESE DOCUMENTS AS ACCURATE AS POSSIBLE FOR THE PURPOSE OF GRAPHIC REPRESENTATION. DO NOT SCALE THESE DOCUMENTS. THE DIMENSIONS SHOWN ARE TO TAKE PRECEDENCE OVER SCALING THE DOCUMENTS. THE GENERAL CONTRACTOR SHALL TAKE FULL RESPONSIBILITY FOR AN INCORRECT WORK AND ANY REPAIR OF SAID WORK AS A RESULT OF SCALING THE DOCUMENTS.
5. ALL WORK PERFORMED BY THE GENERAL CONTRACTOR SHALL COMPLY AND CONFORM WITH LOCAL, STATE AND/OR NATIONAL BUILDING CODES, ORDINANCES AND REGULATIONS, ALONG WITH ALL OTHER AUTHORITIES HAVING JURISDICTION. THE GENERAL CONTRACTOR IS RESPONSIBLE TO BE AWARE OF THESE REQUIREMENTS AND GOVERNING REGULATIONS.
6. THE GENERAL CONTRACTOR SHALL THOROUGHLY REVIEW AND BECOME FAMILIAR WITH THESE DOCUMENTS. UPON REVIEW THE GENERAL CONTRACTOR SHALL DOCUMENT AND NOTIFY FTH OF ANY ERRORS, OMISSIONS, DISCREPANCIES AND/OR INCONSISTENCIES PRIOR TO THE START OF ANY PORTION OF THE PROPOSED WORK. FTH SHALL REVIEW THE PROPOSED CORRECTIONS AFTER THE RECEIPT OF NOTIFICATION. THE REVIEW OF DISCREPANCIES AND/OR CONFLICTS AFTER THE START OF WORK SHALL BE THE FULL RESPONSIBILITY OF THE GENERAL CONTRACTOR TO REPAIR OR REPLACE.
7. IF THE GENERAL CONTRACTOR DOES NOT REVIEW THE DOCUMENTS AS OUTLINED IN THE NOTE 5 ABOVE THEN THE GENERAL CONTRACTOR SHALL BE RESPONSIBLE FOR THE CORRECTION OF ANY ERRORS, OMISSIONS, DISCREPANCIES AND/OR INCONSISTENCIES WHICH HAVE NOT BEEN BROUGHT TO FTH'S ATTENTION.
8. THE GENERAL CONTRACTOR SHALL FIELD VERIFY ALL EXISTING SITE CONDITIONS, ALONG WITH DIMENSIONS, PRIOR TO THE START OF ANY PORTION OF THE WORK. ALL FINDING DISCREPANCIES AND CONCERNS SHALL BE BROUGHT TO THE OWNERS' ATTENTION IN WRITTEN FORMAT.
9. THE GENERAL CONTRACTOR SHALL BE RESPONSIBLE FOR ALL WORK AND MATERIALS REPRESENTED ON THESE DOCUMENTS INCLUDING THE WORK AND MATERIAL FURNISHED BY SUBCONTRACTORS AND VENDORS.
10. DEVIATIONS FROM THESE DOCUMENTS IN THE CONSTRUCTION PHASE SHALL BE REVIEWED BY FTH AND THE OWNER PRIOR TO THE START OF THE WORK. IN QUESTION, ANY DEVIATIONS FROM THESE DOCUMENTS WITHOUT PRIOR REVIEW SHALL BE THE SOLE RESPONSIBILITY OF THE GENERAL CONTRACTOR.
11. IT IS THE SOLE RESPONSIBILITY OF THE GENERAL CONTRACTOR TO DETERMINE ERECTION PROCEDURE, MEANS AND METHODS AND SEQUENCE OF CONSTRUCTION.
12. SHOP DRAWING REVIEW AND DISTRIBUTION, ALONG WITH PRODUCT SUBMITTALS, REQUESTED IN THE CONSTRUCTION DOCUMENTS, SHALL BE REVIEWED BY THE GENERAL CONTRACTOR FOR COMPLIANCE BEFORE SUBMITTING TO FTH FOR REVIEW BY THE APPROPRIATE PARTY, UNLESS DIRECTED OTHERWISE UNDER A SEPARATE AGREEMENT.
13. FTH SHALL NOT ACCEPT OR REVIEW ANY REQUEST FOR SHOP DRAWING REVIEW AND/OR STAMP WITHOUT THE REVIEW AND STAMP OF THE GENERAL CONTRACTOR CLEARLY SHOWN ON THE DOCUMENTS.
14. THE GENERAL CONTRACTOR SHALL VERIFY AND BE RESPONSIBLE FOR ALL SPECIAL EQUIPMENT REQUIREMENTS.
15. NEITHER THE DESIGNER OF RECORD, THE DESIGN FIRM NOR ANY OF FTH'S EMPLOYEES, BY THESE DRAWINGS OR BY VERBAL MEANS, IN ANY WAY REPRESENT THAT THEY ARE GENERAL CONTRACTORS.
16. ALL MATERIALS AND EQUIPMENT SHALL BE INSTALLED IN ACCORDANCE WITH MANUFACTURER'S SPECIFICATIONS AND RECOMMENDATIONS.
17. THE GENERAL CONTRACTOR SHALL COORDINATE WITH THE MILLWORK CONTRACTOR TO DETERMINE REQUIREMENTS FOR AND INSTALL ALL INTERIOR WALL BLOCKING REQUIRED FOR ALL WALL HUNG CABINETS, TRIM, MILLWORK, AND/OR ANY RELEVANT SCENIC ELEMENTS.
18. NO SUBSTITUTIONS WILL BE ALLOWED FOR ANY PRODUCT OR MATERIAL SPECIFIED IN THESE DESIGN DRAWINGS WITHOUT INFORMING THE OWNER.
19. FTH DOES NOT WARRANT ANY SPECIFIED FINISH MATERIAL OR ANY CONSTRUCTION METHOD, TECHNIQUE OR ASSEMBLY CONTAINED IN THESE INTERIOR DESIGN DRAWINGS. THE SHORT AND LONG TERM PERFORMANCE OF ALL INTERIOR PRODUCTS, FINISHES AND MATERIALS IS SOLELY THE RESPONSIBILITY OF THE MANUFACTURER OF THESE ITEMS AND THE INSTALLATION SUB-CONTRACTOR THAT SUPPLIES OR INSTALLS THESE ITEMS.

RUSSELL C. DAVIS  
PLANETARIUM

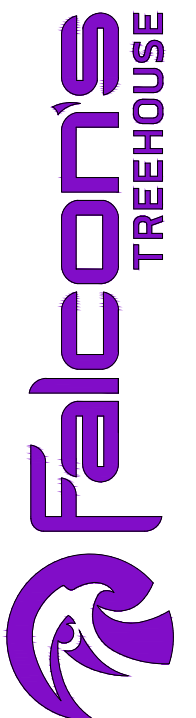
THIS DOCUMENT CONTAINS COPYRIGHT MATERIAL AND TRADE SECRET INFORMATION BELONGING TO FALCON'S TREEHOUSE AND ITS CLIENT AS NOTED ON PACKAGE. ANY UNAUTHORIZED USE, DISCLOSURE, REPRODUCTION OR PUBLICATION OF ANY OF THE INFORMATION CONTAINED HEREIN MAY RESULT IN LIABILITY UNDER APPLICABLE LAWS.

JACKSON  
PLANETARIUM

PHASE: 100% DESIGN DEVELOPMENT - EXHIBIT AREA  
DRAWING TITLE: GENERAL NOTES

SCALE: AS NOTED  
DATE: 01-31-2025

DWG NO.: D2-003





# NOTES & MATERIALS

- 1 - DRYWALL CONSTRUCTION WITH LEVEL 4 FINISH AND SCENIC PAINT TREATMENT
- 2 - DRYWALL CONSTRUCTION IN LEVEL 4 FINISH WITH SCENIC SCUFF RESISTANT PAINT TREATMENT
- 3 - DIMENSIONAL DRYWALL CEILINGS WITH LEVEL 3 FINISH AND SCENIC PAINT TREATMENT - LED LIGHTING TO BE INTEGRATED INTO CEILING COVES
- 4 - DRYWALL SOFFIT WITH LEVEL 3 FINISH AND SCENIC PAINT TREATMENT AND INTEGRATED LED LIGHTING
- 5 - APPLIED SUPERGRAPHIC - PLEASE REFER TO GRAPHIC SCHEDULE 4 RELEVANT GRAPHIC TAG FOR FURTHER INFORMATION
- 6 - DIMENSIONAL SCENIC CLADDING IN LAYERED MDF CONSTRUCTION WITH SCENIC PAINT TREATMENT
- 7 - LEVEL 3 DRYWALL WITH APPLIED MAX CONTRAST SCREEN 600
- 8 - FACILITY ACCESS DOOR WITH LAYERED MDF CLADDING AND SCENIC PAINT TREATMENT
- 9 - ELEVATOR DOORS WITH BRUSHED ALUMINUM FINISH
- 10 - DOOR FRAME WITH SCENIC PAINT TREATMENT
- 11 - DIMENSIONAL DOOR FRAME IN MDF CONSTRUCTION WITH TRIM MOLDING IN SCENIC PAINT FINISH - RECESSED LED LIGHTING CHANNELS INTEGRATED INTO FRAME WITH DIFFUSED ACRYLIC - CONSTRUCTED TO BE FLUSH WITH SCENIC FRAME
- 12 - DIMENSIONAL DOOR FRAME CONSTRUCTED OF LAYERED MDF AND TRIMMED WITH FLEXIBLE MOLDING AND SCENIC PAINT FINISH - RECESSED LED LIGHTING CHANNELS INTEGRATED INTO FRAME WITH DIFFUSED ACRYLIC - CONSTRUCTED TO BE FLUSH WITH SCENIC FRAME
- 13 - AUTOMATIC SLIDING DOORS WITH APPLIED LAYERED SCENIC FLATS IN THEMATIC PAINT FINISH - DOORS TO BE ON "J" TRACK, OR SIMILAR, TO ALLOW FOR INTENDED OPENING/CLOSING EFFECT. DOORS TO HAVE BREAK-AWAY CAPABILITIES AS REQUIRED FOR EMERGENCY EGRESS
- 14 - NON-FUNCTIONING FAUX SCENIC CLADDING IN LAYERED MDF CONSTRUCTION WITH SCENIC PAINT TREATMENT
- 15 - DIMENSIONAL SCENIC CLADDING IN LAYERED MDF CONSTRUCTION WITH THERMOFORMED KYDEX LAMINATE OR SIMILAR FINISH TREATMENT
- 16 - DIMENSIONAL SCENIC COLUMN IN LAYERED MDF CONSTRUCTION WITH THERMOFORMED KYDEX LAMINATE AND SCENIC PAINT FINISH
- 17 - RUBBER BASE MOLDING
- 18 - RECESSED RUBBER BASE MOLDING WITH INTEGRATED LED TOE-KICK LIGHTING
- 19 - FLAT STOCK BASE BOARD FINISHED WITH HIGH PRESSURE LAMINATE. SCUFF RESISTANT PAINT ALLOWED AS AN ALTERNATIVE FINISH
- 20 - FLAT STOCK BASE BOARD WITH 55-DEGREE CHAMFERED EDGE AND FINISHED WITH HIGH PRESSURE LAMINATE. SCUFF RESISTANT PAINT ALLOWED AS AN ALTERNATIVE FINISH
- 21 - POLYCARBONATE SIGN WITH APPLIED GRAPHIC AND EDGE LIGHTING INTEGRATED INTO BASE. BASE TO BE CONSTRUCTED OF MDF WITH SCENIC PAINT TREATMENT
- 22 - CROWN MOLDING WITH SCENIC PAINT TREATMENT
- 23 - RECESSED LED LIGHTING EFFECT WITH POLYCARBONATE DIFFUSER
- 24 - SURFACE MOUNTED LED LIGHTING EFFECT WITH ALUMINUM FRAMED DIFFUSER
- 25 - WAYFINDING SIGNAGE - POLYCARBONATE PANEL, EDGE LIT BY LED LIGHTING, INTEGRATED INTO FRAME. SIGNAGE FRAME CONSTRUCTED OF MDF WITH SCENIC PAINT TREATMENT. PLEASE REFER TO GRAPHIC SCHEDULE FOR FURTHER DETAILS
- 26 - WAYFINDING SIGNAGE - BRUSHED ALUMINUM PANEL, EDGE LIT BY LED LIGHTING, INTEGRATED INTO FRAME. SIGNAGE FRAME CONSTRUCTED OF MDF WITH SCENIC PAINT TREATMENT. PLEASE REFER TO GRAPHIC SCHEDULE FOR FURTHER DETAILS
- 27 - MARQUEE SIGNAGE - WATERJET CUT BRUSHED ALUMINUM LETTERING ATTACHED TO DRYWALL USING ALUMINUM SPACERS AND STUDS. PLEASE REFER TO GRAPHIC SCHEDULE FOR FURTHER DETAILS
- 28 - RECESSED 65" MONITOR (SAMSUNG Q65SR) WITH REMOVABLE MDF BEZEL IN SCENIC PAINT FINISH
- 29 - RECESSED 43" MONITOR 4 SAMSUNG Q64SR) WITH REMOVABLE MDF BEZEL IN SCENIC PAINT FINISH
- 30 - EMERGENCY EGRESS DOOR WITH LAYERED FRP CONSTRUCTION AND SCENIC PAINT TREATMENT
- 31 - FACILITY ACCESS HATCH WITH SCENIC PAINT TREATMENT
- 32 - THEATER DOORS WITH LAYERED MDF CONSTRUCTION AND SCENIC PAINT TREATMENT
- NUMBER GAP HERE TO ALLOW FOR ADDITIONAL NOTES IF NECESSARY
- 40 - 3" ALUMINUM SPACER
- 41 - 2" ALUMINUM STUD
- 42 - WATERJET CUT BRUSHED ALUMINUM LETTER
- 43 - FRAMED ALUMINUM GRATING IN POWDERCOAT FINISH FOR AUDIO AND VENTILATION
- 44 - FRAMED PERFORATED ALUMINUM MESH IN POWDERCOAT FINISH
- 45 - ALUMINUM FRAMING
- 46 - 1" DIAMETER ALUMINUM RAILING
- 47 - ALUMINUM HAND RAILING
- 48 - LED CAN LIGHTING
- 49 - DIMENSIONAL MDF DROP CEILING WITH SCENIC PAINT TREATMENT
- 50 - RECESSED LED LIGHTING EFFECT WITH DIFFUSER TO RESEMBLE STARS
- 51 - LED LIGHTING STRIPS
- 52 - 3/4" MDF PANELS WITH BEVELED EDGES
- 53 - 3/4" MDF PANELS WITH CNC ROUTED CHANNELS FOR RECESSED LIGHTING
- 54 - 3/4" MDF PANELS FINISHED WITH HIGH PRESSURE LAMINATE
- 55 - PVC TUBING WITH METALLIC PAINT FINISH AND POLYURETHANE TOPCOAT
- 56 - 1" MDF PANEL WITH 1/2" CNC ROUTED DECORATIVE CHANNEL
- 57 - 1/2" X 1/2" CNC ROUTED DECORATIVE CHANNEL
- 58 - 3/4" PLYWOOD BACKING
- 59 - 3/4" WOODEN SUPPORT STRUCTURE
- 60 - RECESSED ALLEN HEAD SOCKET GAP BOLTS - RETAINERS/RECEIVERS TO BE BUILT INTO CABINET FRAMEWORK TO ALLOW FOR EASE OF INSTALL
- 61 - BRUSHED ALUMINUM HARDWARE
- 62 - DOOR PIVOT POINT AND CASING FOR ELECTRICAL WIRING
- 63 - DOOR PIVOT POINT AND EXTENSION
- 64 - "J" TRACK MECHANISM
- 65 - 45-DEGREE CLEAR POLYCARBONATE PANEL SUPPORTED BY L BRACKETS ON EITHER SIDE - BRACKET TO BE SELECTED TO BE AS SMALL AS POSSIBLE AND PAINTED TO MATCH SIDEWALL COLORS
- 66 - BAS RELIEF SCULPT WITH APPLIED FABRICS AND TEXTILES TO MATCH THE APPEARANCE OF A SPACE SUIT - FINAL LOOK/DEVELOPMENT OF THIS ELEMENT TO BE CONFIRMED WITH NASA AS NECESSARY FOR ACCURACY
- 67 - POLYCARBONATE DIMENSIONAL HELMET WITH GOLD-COLORED ONE-WAY MIRRORING GLASS FILM APPLIED TO INTERIOR FACE
- 68 - CABLE FROM BRIGHT SIGN IN CONDUIT, CONNECTED TO NEXT MONITORS
- 69 - DOWEL PEG ANCHORED INTO WALL. FRAME TO BE SECURED TO WALL WITH MOUNTING SCREWS
- 70 - BRIGHT SIGN DEVICE (NO 235)
- 71 - FULL MOTION TV MOUNT (KANTO PDX650)
- 72 - POWER OUTLETS
- 73 - 43" MONITOR (SAMSUNG Q64SR) REAR MOUNTED TO WOODEN SUPPORT STRUCTURE FACE DOWN
- 74 - 18" TOUCHSCREEN MONITOR (BEETRONICS 18TSM) RECESSED IN MDF CLADDING WITH THERMOFORMED KYDEX LAMINATE OR SIMILAR FINISH TREATMENT
- 75 - 65" MONITOR (SAMSUNG Q65SR) REAR MOUNTED USING FULL MOTION TV MOUNT AND RECESSED IN MDF CLADDING
- 76 - 18" MONITOR (SAMSUNG Q63R) REAR MOUNTED USING BRACKET MOUNT AND RECESSED IN MDF CLADDING
- 77 - 55" TOUCHSCREEN MONITOR (QMS55-T) REAR MOUNTED USING FULL MOTION TV MOUNT AND RECESSED IN MDF CLADDING
- 78 - 10" TOUCHSCREEN MONITOR (BEETRONICS 10TSM) RECESSED IN MDF CLADDING
- 79 - 7" TOUCHSCREEN MONITOR (BEETRONICS 7TSM) RECESSED IN MDF CLADDING
- 80 - SCULPTED DRYWALL CYCLOPAMA SCREEN WITH LEVEL 3 FINISH AND MAX CONTRAST SCREEN 600 TREATMENT
- 81 - ULTRA SHORT THROW PROJECTOR
- 82 - 2' DIAMETER DIGITAL MEDIA SPHERE - PURCHASED AND MODIFIED
- 83 - BLACK SURFACE MOUNT LOUD SPEAKER (Q-SYS AD-S4T) MOUNTED INTERNALLY IN CABINET WITH PERFORATED POWDER COATED ALUMINUM GRATING FOR SOUND TRANSMISSION
- 84 - 20" BLACK COMMERCIAL PENDANT DOME SPEAKER (SOUNDTUBE PP620-H) CEILING MOUNTED
- 85 - PASSIVE INFRARED MOTION DETECTOR (HMS ELECTRONICS BS-PIR-Z) ACTING AS TRIGGER FOR MEDIA PLAYBACK. DETECTOR TO BE RECESSED INTO HEADER ABOVE INTERACTIVE.
- 86 - DIMENSIONAL SIGNAGE FRAME IN MDF CONSTRUCTION WITH INTEGRATED INTERIOR LED FRAME LIGHTING AND SCENIC PAINT
- 87 - BRUSHED ALUMINUM WITH APPLIED GRAPHICS FIRMLY AFFIXED TO WALL
- 88 - BRUSHED ALUMINUM SIGNAGE STANDOFFS FIRMLY AFFIXED TO WALL
- 89 - DIMENSIONAL SIGNAGE FRAME IN MDF CONSTRUCTION WITH SCENIC PAINT TREATMENT
- 90 - LED WALL (MIRACLE)
- 91 - POLYCARBONATE WINDOW PANELS WITH BRUSHED ALUMINUM MULLIONS
- 92 - INTERACTIVE GAME JOYSTICKS/CONTROLS MOUNTED SECURELY TO INTERACTIVE MOUNTING TO BE REINFORCED AS NECESSARY TO ENSURE LONGEVITY OF INTERACTIVE JOYSTICK TO BE ABLE TO WITHSTAND HEAVY UTILIZATION
- 93 - BLACK PENDANT CEILING MOUNTED LOUD SPEAKER (QSC AD-P6T)
- 94 - FINAL MOUNTING SURFACE TO BE DRYWALL WITH LEVEL 4 FINISH - ADDITIONAL BLOCK REQUIRED TO SUPPORT SIGNAGE IN ALL MOUNTING LOCATIONS

## GENERAL NOTE:

THIS SHEET SERVES AS AN INDEX FOR NOTES ACROSS BOTH PHASES OF DESIGN AND COVERS RELEVANT INFORMATION FOUND WITHIN THE ELEVATIONS, SECTIONS, DETAILS, AND PLANS.

RUSSELL C. DAVIS  
PLANETARIUM

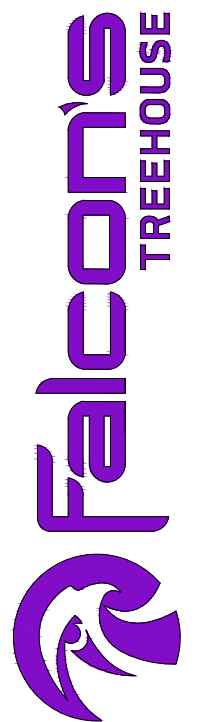
THIS DOCUMENT CONTAINS COPYRIGHT MATERIAL AND TRADE SECRET INFORMATION BELONGING TO FALCONS TREEHOUSE AND ITS CLIENT AS NOTED ON PACKAGE. ANY UNAUTHORIZED USE, DISCLOSURE, DISSEMINATION OR REPRODUCTION OF ANY OF THE INFORMATION CONTAINED HEREIN MAY RESULT IN LIABILITY UNDER APPLICABLE LAWS.

JACKSON  
PLANETARIUM

PHASE: 000R DESIGN DEVELOPMENT - SPACE STATION  
DRAWING TITLE:

OVERALL  
GENERAL NOTES

SCALE: AS NOTED  
DATE: 01-31-2025  
DWS NO.: D2-004





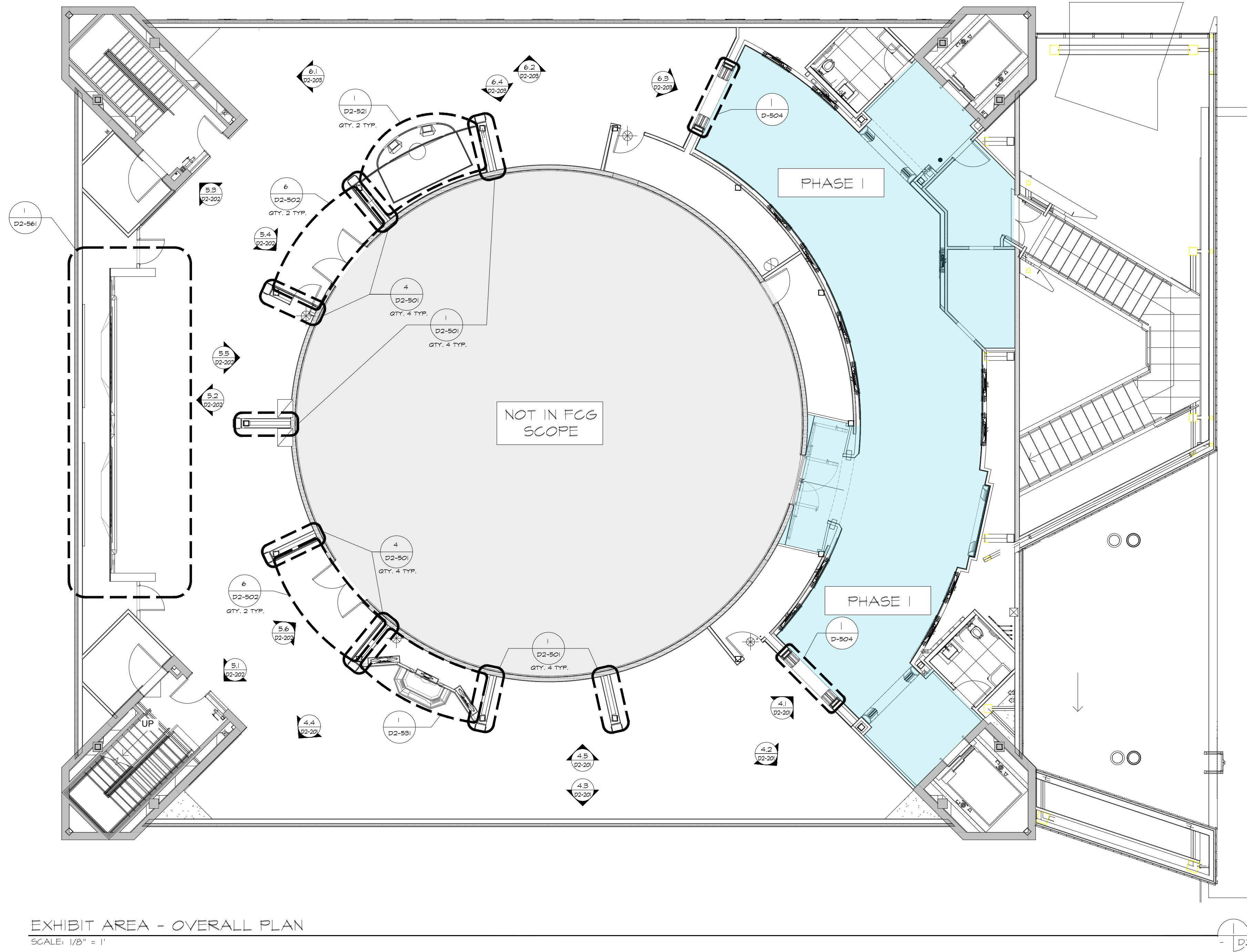


EXHIBIT AREA - OVERALL PLAN  
SCALE: 1/8" = 1'

D2-101

RUSSELL C. DAVIS  
PLANETARIUM

THIS DOCUMENT CONTAINS COPYRIGHT MATERIAL AND TRADE SECRET INFORMATION BELONGING TO FALCONS TREEHOUSE AND ITS CLIENT AS NOTED ON PACKAGE. ANY UNAUTHORIZED USE, DISCLOSURE, DISSEMINATION OR PUBLICATION OF ANY OF THE INFORMATION CONTAINED HEREIN MAY RESULT IN LIABILITY UNDER APPLICABLE LAWS.

JACKSON  
PLANETARIUM

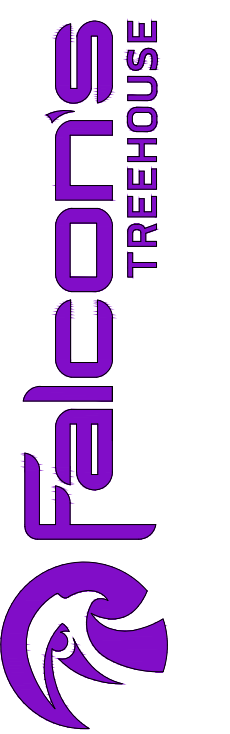
PHASE 1 100% DESIGN DEVELOPMENT - EXHIBIT AREA

EXHIBIT AREA  
OVERALL PLAN

SCALE: AS NOTED

DATE: 01-31-2025

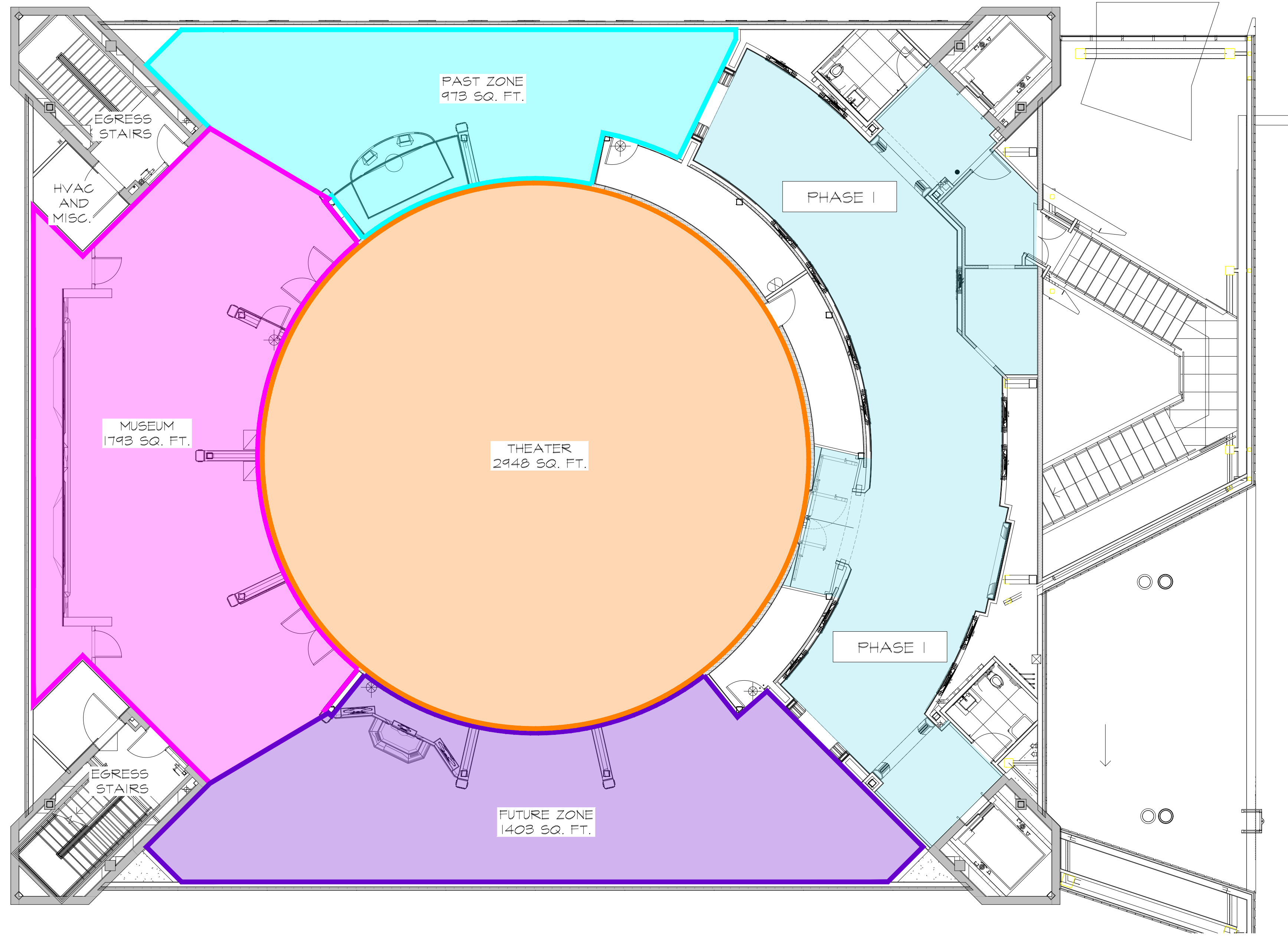
DWG NO.: D2-101











**LEGEND**

<span style="color: orange;">■</span>	THEATER 2948 SQ. FT.
<span style="color: cyan;">■</span>	PAST ZONE 973 SQ. FT.
<span style="color: magenta;">■</span>	MUSEUM 1793 SQ. FT.
<span style="color: purple;">■</span>	FUTURE ZONE 1403 SQ. FT.

EXHIBIT AREA - ZONE PLAN  
SCALE: 1/8" = 1'

D2-121

RUSSELL C. DAVIS  
PLANETARIUM

THIS DOCUMENT CONTAINS COPYRIGHT MATERIAL AND TRADE SECRET INFORMATION BELONGING TO FALCON'S TREEHOUSE AND ITS CLIENT AS NOTED ON PACKAGE. ANY UNAUTHORIZED USE, DISCLOSURE, DISSEMINATION OR PUBLICATION OF ANY OF THE INFORMATION CONTAINED HEREIN MAY RESULT IN LIABILITY UNDER APPLICABLE LAWS.

JACKSON  
PLANETARIUM

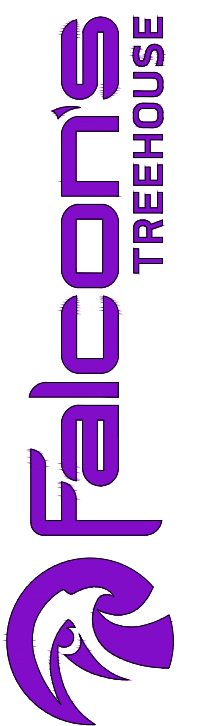
PHASE 1 - 100% DESIGN DEVELOPMENT - EXHIBIT AREA

EXHIBIT AREA  
ZONE PLAN

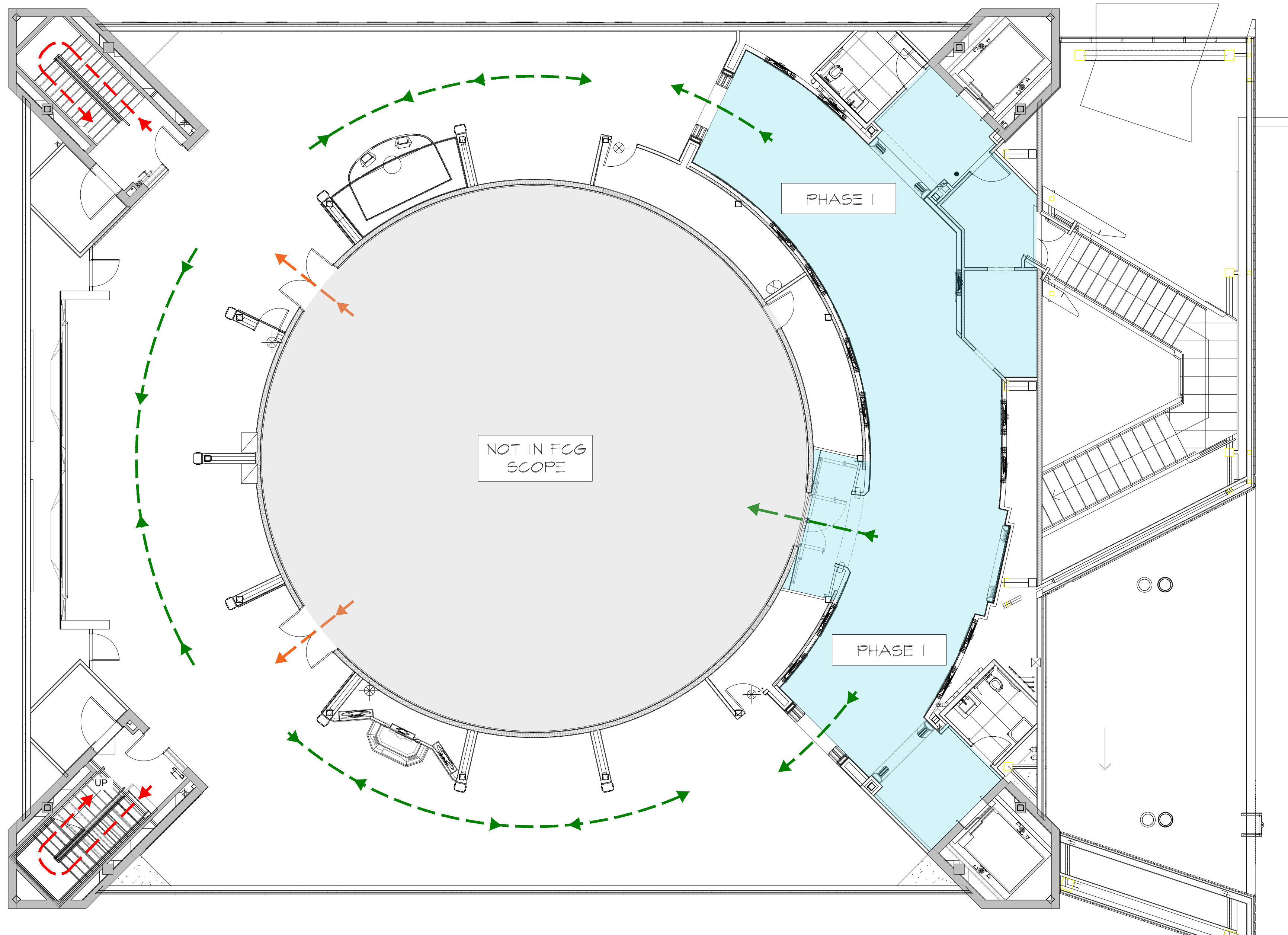
SCALE: AS NOTED

DATE: 01-31-2025

DWG NO.: D2-121







**LEGEND**

- PRIMARY TYP. GUEST FLOW
- EXIT GUEST FLOW
- EMERGENCY EGRESS

EXHIBIT AREA - GUEST FLOW PLAN  
SCALE: 1/8" = 1'

D2-131

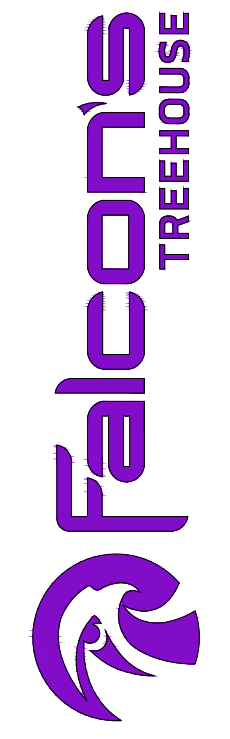
RUSSELL C. DAVIS  
PLANETARIUM

THIS DOCUMENT CONTAINS COPYRIGHT MATERIAL AND TRADE SECRET INFORMATION BELONGING TO FALCON'S TREEHOUSE AND ITS CLIENT AS NOTED ON PACKAGE. ANY UNAUTHORIZED USE, DISCLOSURE, DISSEMINATION OR PUBLICATION OF ANY OF THE INFORMATION CONTAINED HEREIN MAY RESULT IN LIABILITY UNDER APPLICABLE LAWS.

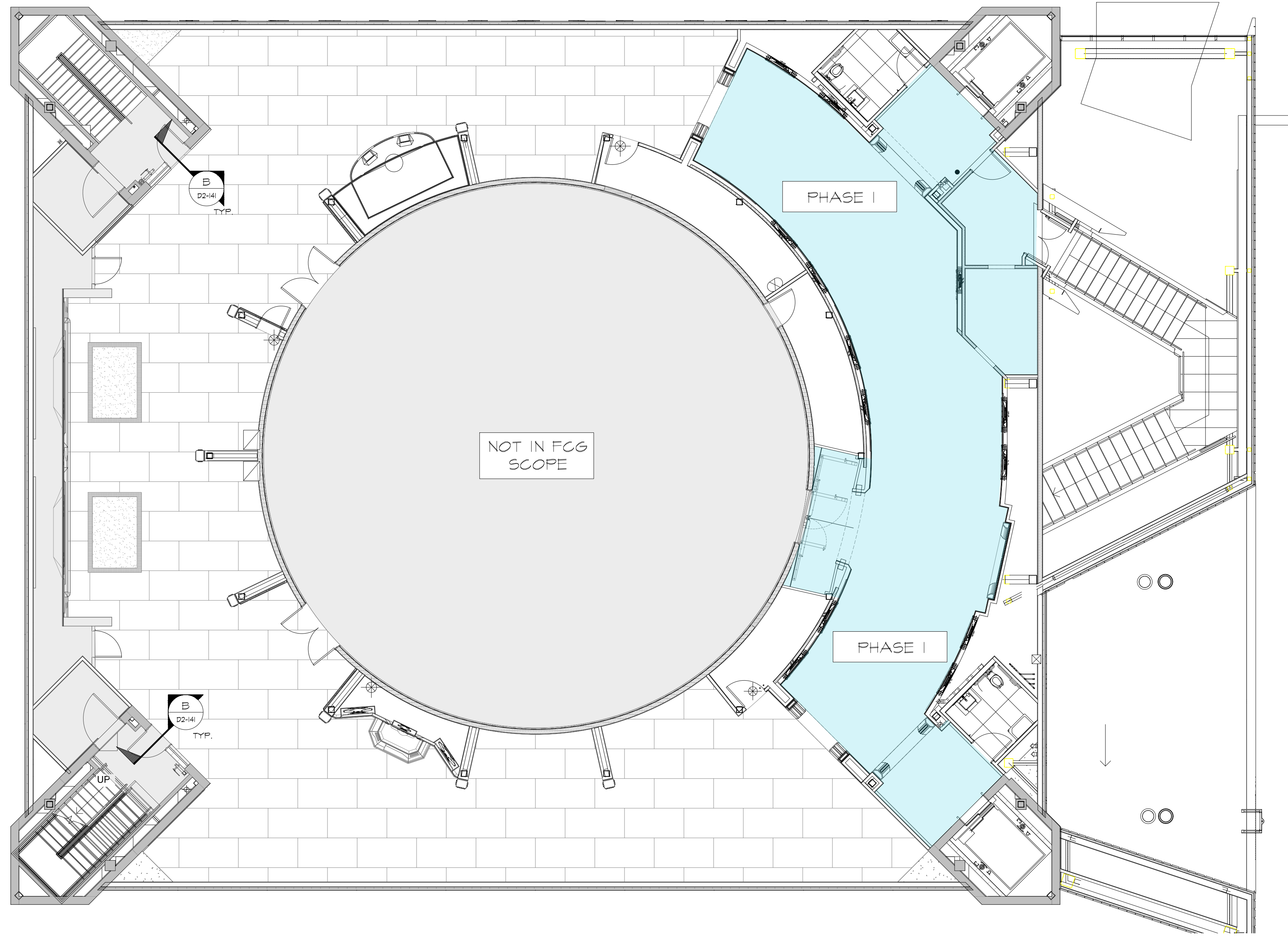
JACKSON  
PLANETARIUM

PHASE 1 100% DESIGN DEVELOPMENT - EXHIBIT AREA  
DRAWING TITLE  
EXHIBIT AREA  
GUEST FLOW PLAN

SCALE: AS NOTED  
DATE: 01-31-2025  
DWS NO.: D2-131

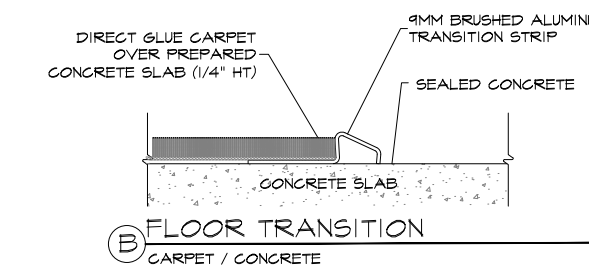






**LEGEND**

	CARPET TILE- MCHANK MOONSLON BARK ~2415 SQFT
	CARPET TILE- MCHANK FELTED FRINGE STONE ~80 SQFT
	CARPET TILE- MCHANK BLACK BEAN ~80 SQFT
	FLOORINGS NOT IN FTM SCOPE



**FLOOR FINISH TRANSITION DETAILS**  
SCALE: 6" = 1'  
D2-141 D2-141

**EXHIBIT AREA - FLOOR FINISH PLAN**  
SCALE: 1/8" = 1'

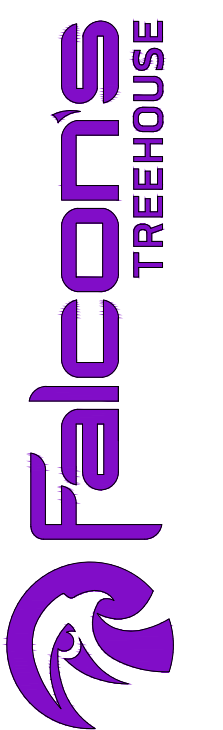
RUSSELL C. DAVIS  
PLANETARIUM

THIS DOCUMENT CONTAINS COPYRIGHT MATERIAL  
AND TRADE SECRET INFORMATION BELONGING TO  
FALCONS TREEHOUSE AND ITS CLIENT AS NOTED  
ON PACKAGE. ANY UNAUTHORIZED USE, DISCLOSURE,  
DISSEMINATION OR PUBLICATION OF ANY OF THE  
INFORMATION CONTAINED HEREIN MAY RESULT IN  
LIABILITY UNDER APPLICABLE LAWS.

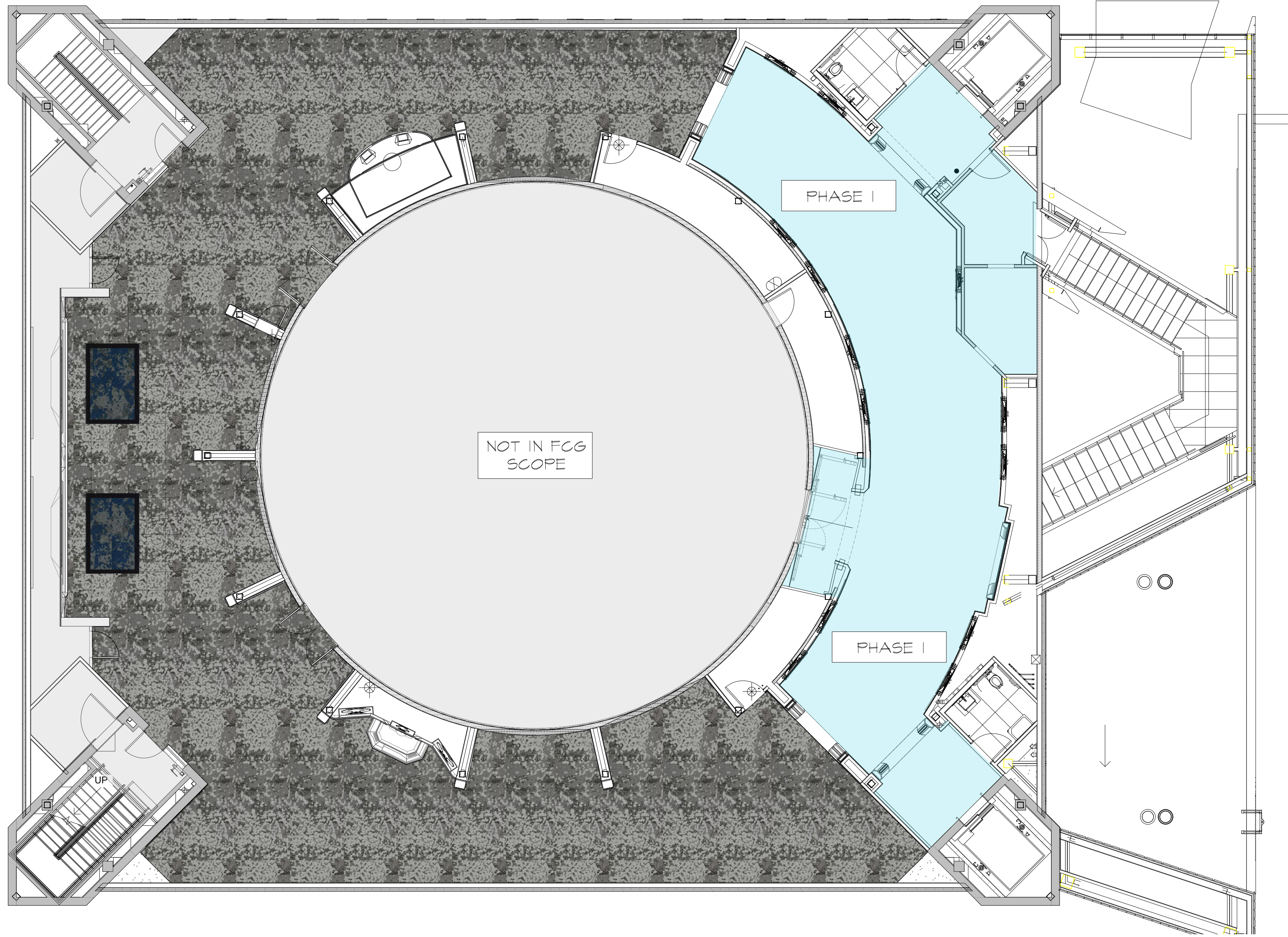
JACKSON  
PLANETARIUM

PHASE 1 100% DESIGN DEVELOPMENT - EXHIBIT AREA  
DRAWING TITLE  
EXHIBIT AREA  
FLOOR FINISH PLAN

SCALE AS NOTED  
DATE 01-31-2025  
DWS NO. D2-141

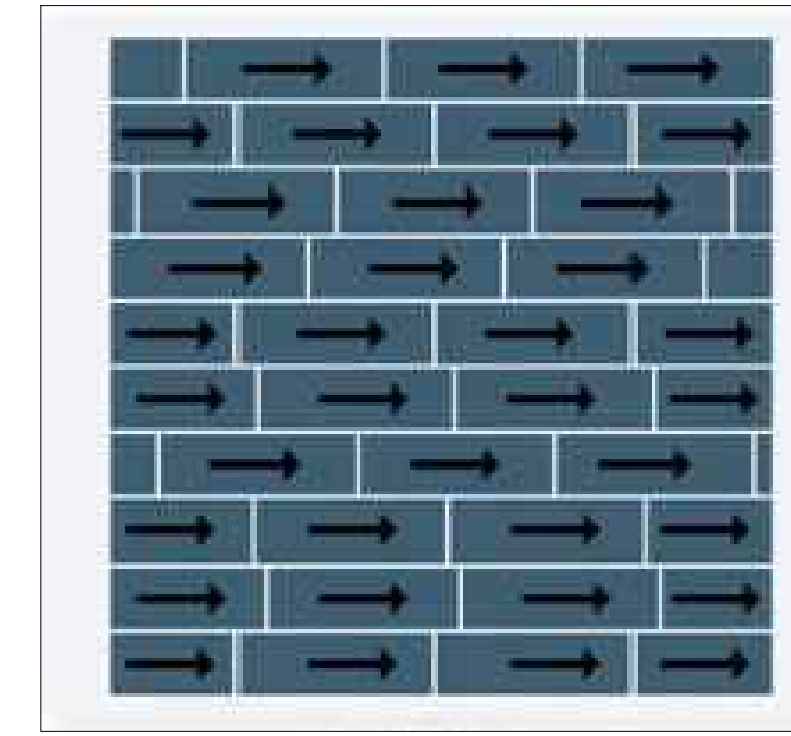






**LEGEND**

	CARPET TILE - MCHANK MOONGLOW BARK ~2418 SOFT
	CARPET TILE - MCHANK FELTED FRINGE STONE ~80 SOFT
	FLOORINGS NOT IN FTH SCOPE



CARPET INSTALLATION IMAGE <sup>2</sup>  
SCALE: NA D2-142 D2-142

EXHIBIT AREA - FLOOR FINISH PLAN  
SCALE: 1/8" = 1'

D2-142

**GENERAL NOTES**

- RANDOM CARPET INSTALLATION TO BE USED FOR MOONGLOW BARK AND FELTED FRINGE STONE PATTERNS.

RUSSELL C. DAVIS  
PLANETARIUM

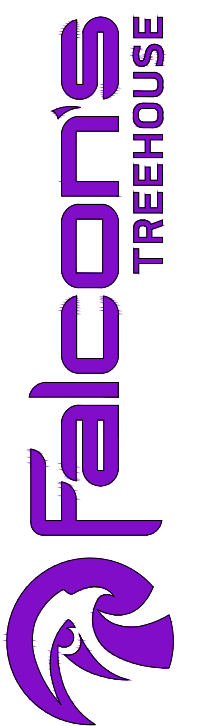
THIS DOCUMENT CONTAINS COPYRIGHT MATERIAL AND TRADE SECRET INFORMATION BELONGING TO FALCONS TREEHOUSE AND ITS CLIENT AS NOTED ON PACKAGE. ANY UNAUTHORIZED USE, DISCLOSURE, DISSEMINATION OR PUBLICATION OF ANY OF THE INFORMATION CONTAINED HEREIN MAY RESULT IN LIABILITY UNDER APPLICABLE LAWS.

JACKSON  
PLANETARIUM

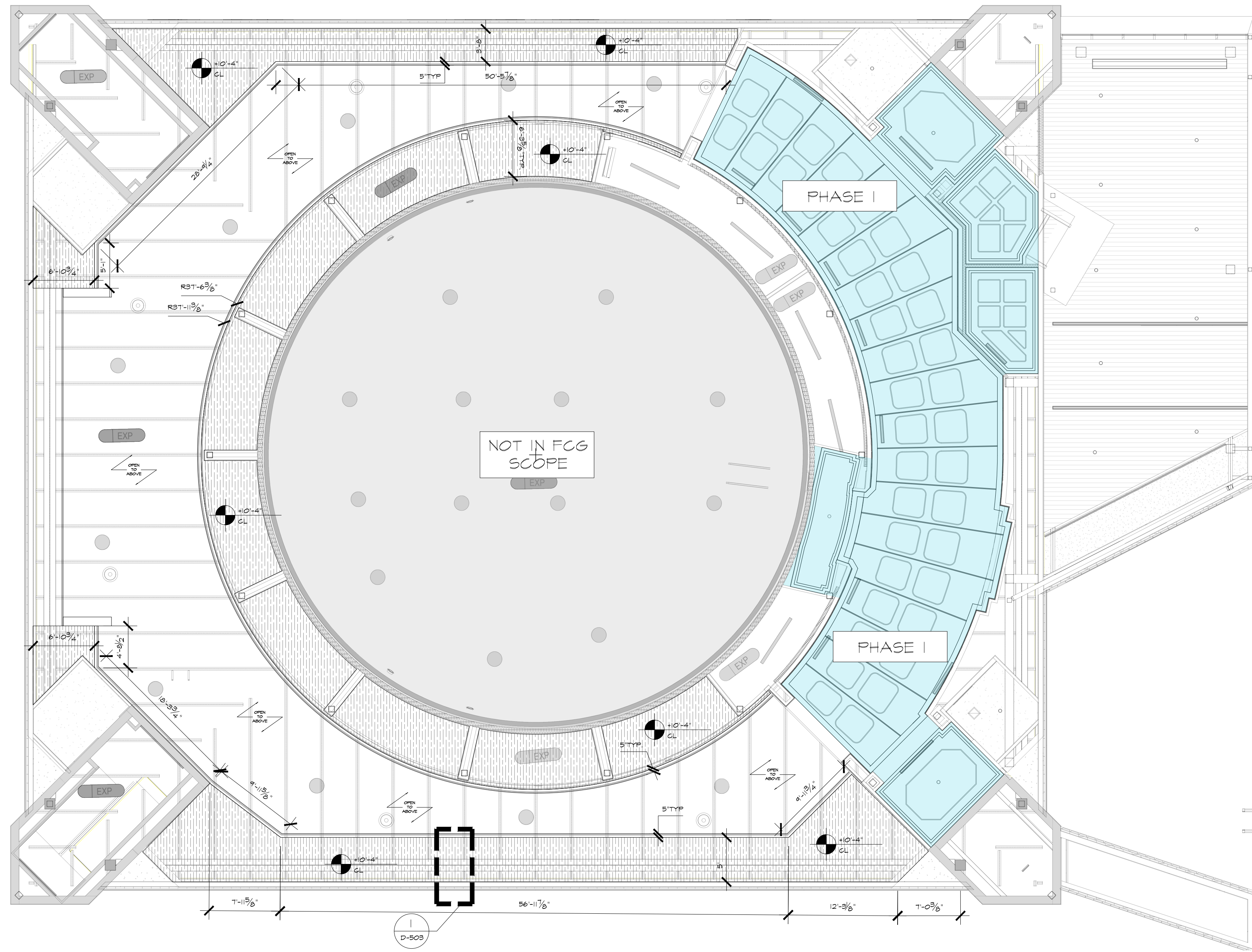
PHASE: 100% DESIGN DEVELOPMENT - EXHIBIT AREA  
DRAWING TITLE:

THIRD FLOOR  
ILLUSTRATIVE FLOOR FINISH PLAN

SCALE: AS NOTED  
DATE: 01-31-2025  
DWS NO.: D2-142







**LEGEND**

[Hatched Box] - SOFFIT BUILDOUT

EXHIBIT AREA - REFLECTED CEILING PLAN  
SCALE: 1/8" = 1'

D2-151

- GENERAL NOTES**
- ALL SPACES OPEN TO ABOVE TO BE PAINTED PANTONE 540U

RUSSELL C. DAVIS  
PLANETARIUM

THIS DOCUMENT CONTAINS COPYRIGHT MATERIAL AND TRADE SECRET INFORMATION BELONGING TO FALCONS TREEHOUSE AND ITS CLIENT AS NOTED ON PACKAGE. ANY UNAUTHORIZED USE, DISCLOSURE, DISSEMINATION OR PUBLICATION OF ANY OF THE INFORMATION CONTAINED HEREIN MAY RESULT IN LIABILITY UNDER APPLICABLE LAWS.

JACKSON  
PLANETARIUM

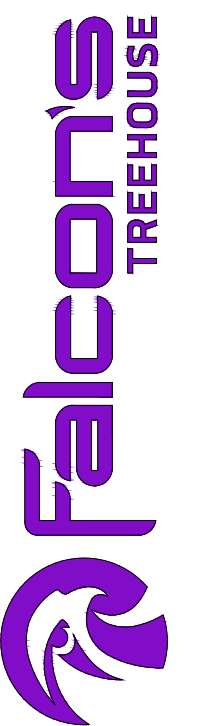
PHASE 1 100% DESIGN DEVELOPMENT - EXHIBIT AREA  
DRAWING TITLE

EXHIBIT AREA  
REFLECTED CEILING PLAN

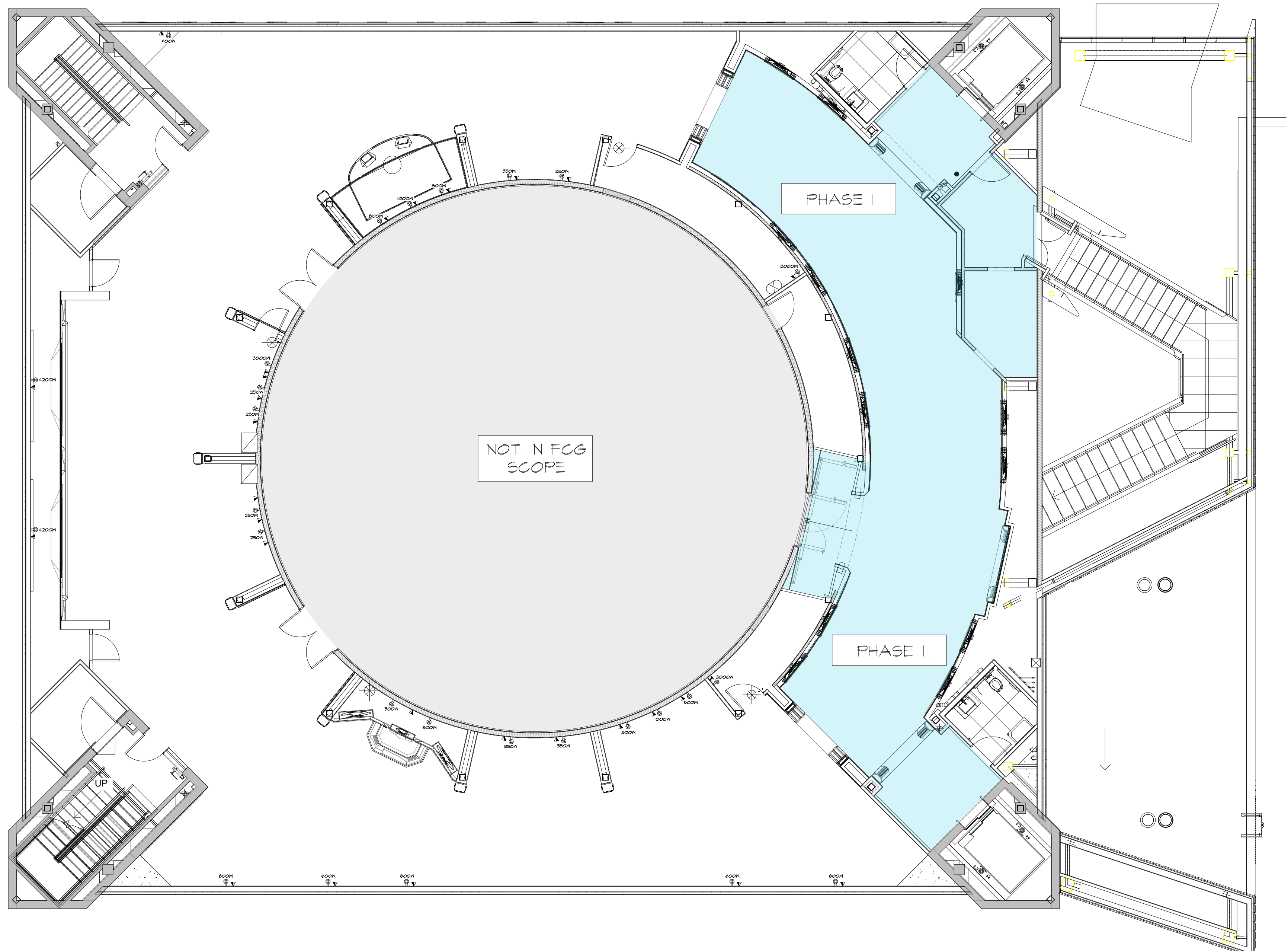
SCALE: AS NOTED

DATE: 01-31-2025

DWG NO.: D2-151







**LEGEND**

- ⊕ - WALL MOUNTED DUPLEX POWER OUTLET
- ⊕ - WALL MOUNTED QUADRUPLX POWER OUTLET
- ▲ - WALL MOUNTED DATA PORT
- ⊕ - WALL MOUNTED JUNCTION BOX
- ⊕ - CEILING MOUNTED JUNCTION BOX
- ⊕ - ELECTRIC DOOR OPENER

EXHIBIT AREA - POWER & DATA PLAN  
SCALE: 1/8" = 1'

D2-161

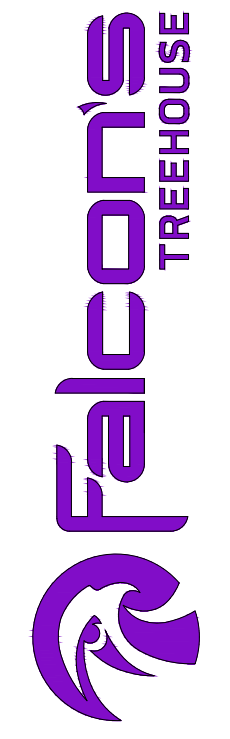
**GENERAL NOTES**

- SEE D2-591 FOR CABLE ROUTING INFORMATION AND CONSUMPTION VALUES

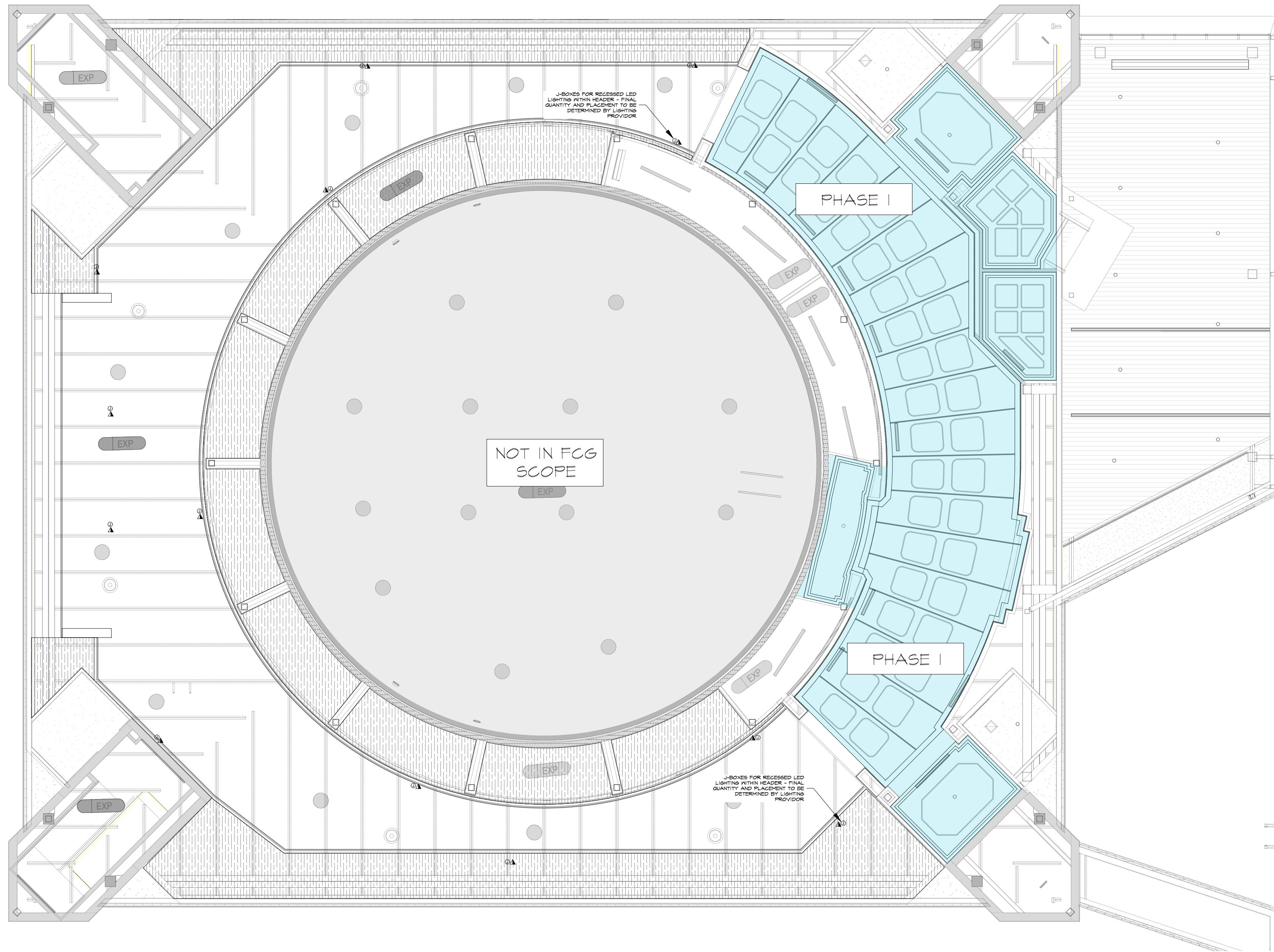
RUSSELL C. DAVIS  
PLANETARIUM

THIS DOCUMENT CONTAINS COPYRIGHT MATERIAL AND TRADE SECRET INFORMATION BELONGING TO FALCONS TREEHOUSE AND ITS CLIENT AS NOTED ON PACKAGE. ANY UNAUTHORIZED USE, DISCLOSURE, DISSEMINATION OR DUPLICATION OF ANY OF THE INFORMATION CONTAINED HEREIN MAY RESULT IN LIABILITY UNDER APPLICABLE LAWS.

JACKSON PLANETARIUM	PHASE I - 100% DESIGN DEVELOPMENT - EXHIBIT AREA	DATE: 01-31-2025	D2-161
EXHIBIT AREA POWER & DATA PLAN	DRAWING TITLE	SCALE: AS NOTED	







**LIGHTING POWER/DATA NOTE:**  
 LIGHTING POWER LOCATIONS SHOWN AS ALLOCATION ONLY AND ARE BASED ON GENERAL LED TAPE RUN LENGTHS. IT IS RECOMMENDED THAT THE FINAL LOCATIONS FOR ALL LIGHTING POWER IS REVIEWED IN DEPTH WITH INTENDED LIGHTING DESIGNER/PROVIDER TO ENSURE POWER AND DATA REQUIREMENTS ARE MET

- LEGEND**
- ⊕ - WALL MOUNTED DUPLEX POWER OUTLET
  - ⊕ - WALL MOUNTED QUADRUPLX POWER OUTLET
  - ⊕ - WALL MOUNTED DATA PORT
  - ⊕ - WALL MOUNTED JUNCTION BOX
  - ⊕ - CEILING MOUNTED JUNCTION BOX
  - ⊕ - ELECTRIC DOOR OPENER

EXHIBIT AREA - POWER & DATA REFLECTED CEILING PLAN  
 SCALE: 1/8" = 1'

D2-171

**GENERAL NOTES**

- SEE D2-591 FOR CABLE ROUTING INFORMATION AND CONSUMPTION VALUES

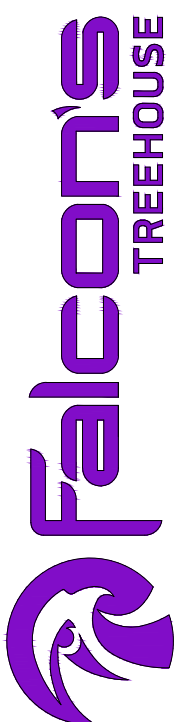
RUSSELL C. DAVIS  
 PLANETARIUM

THIS DOCUMENT CONTAINS COPYRIGHT MATERIAL AND TRADE SECRET INFORMATION BELONGING TO FALCON'S TREEHOUSE AND ITS CLIENT AS NOTED ON PACKAGE. ANY UNAUTHORIZED USE, DISCLOSURE, DISSEMINATION OR PUBLICATION OF ANY OF THE INFORMATION CONTAINED HEREIN MAY RESULT IN LIABILITY UNDER APPLICABLE LAWS.

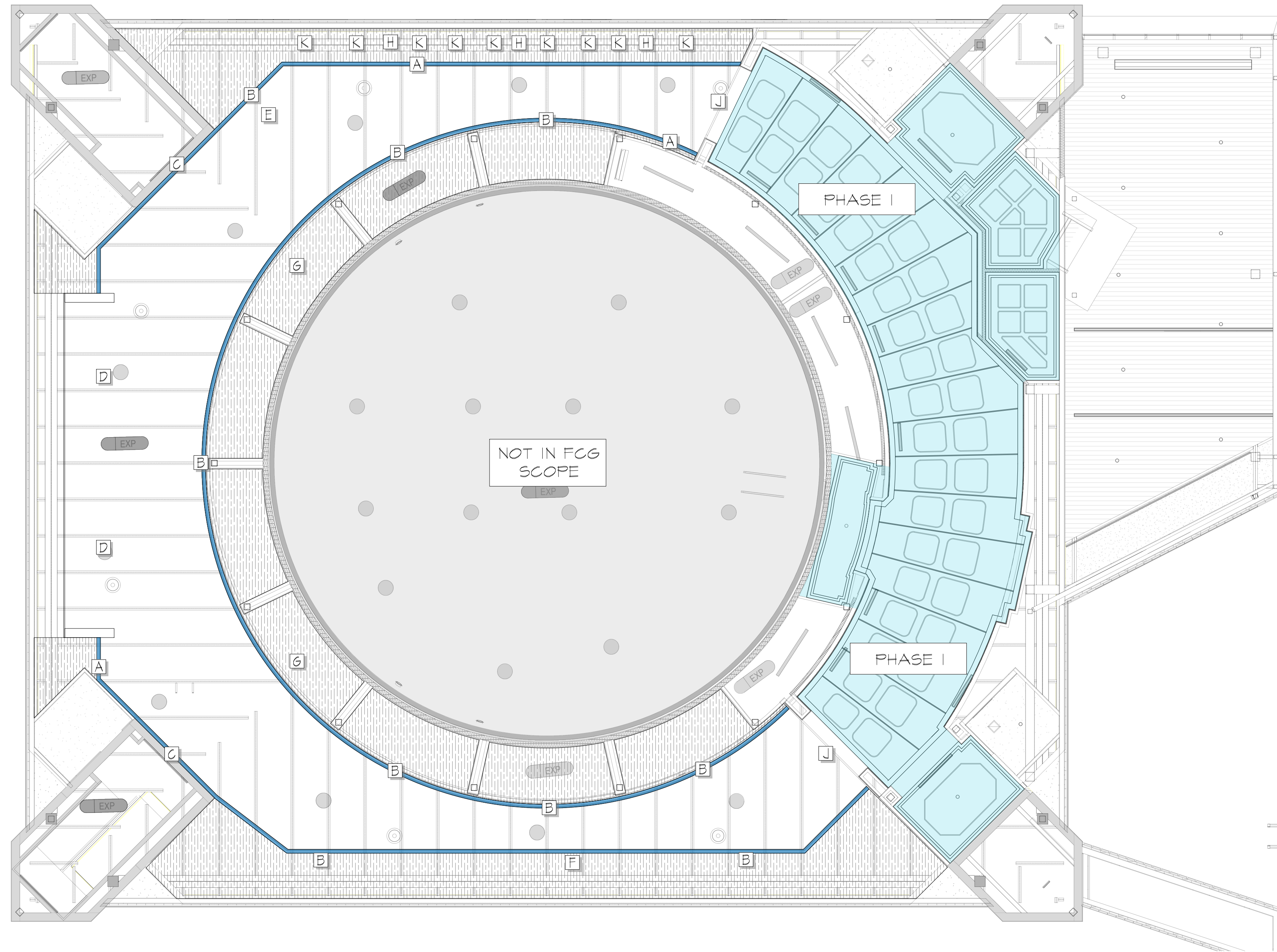
JACKSON  
 PLANETARIUM

PHASE 1 100% DESIGN DEVELOPMENT - EXHIBIT AREA  
 DRAWING TITLE: EXHIBIT AREA POWER & DATA RCP

SCALE: AS NOTED DATE: 01-31-2025  
 DWG NO.: D2-171







**LIGHTING DESIGN NOTES:**

LED LIGHTING TO BE EMBEDDED WITHIN HEADER SURROUNDING THE EXHIBIT SPACE AND TO BE DMX CONTROLLED. ALL LIGHTING TO BE LOGLOK (OR SIMILAR RGS EQUIVALENT) AND LIGHTLY PULSING IN UNISON. THE MOVEMENT IS TO REPLICATE BREATHING WITH A 10-20% INTENSITY CHANGE BETWEEN LOW AND HIGH LEVEL. PULSING TO BE UNIFORM AND IN REGULAR INTERVALS (3-4 SECOND WAVES). THE GOAL IS TO ESTABLISH A SENSE OF LIVELINESS WITHOUT GUESTS DIRECTLY NOTICING ANY CHANGE.

LIGHTING DESIGNATIONS SHOWN AS GENERAL RECOMMENDATIONS BASED ON CURRENT DESIGN INTENT. ALL LIGHTING TO BE CONNECTED TO DMX CONTROLLER OR SHOWN DIMMER PANEL TO ALLOW FOR DISCRETE CONTROL.

IT IS RECOMMENDED THAT THE FINAL LOCATIONS FOR ALL LIGHTING FIXTURES, SUPPORTS, POWER, DATA AND CABLE RUNS ARE REVIEWED IN-DEPTH WITH INTENDED LIGHTING DESIGNER/PROVIDER TO ENSURE LIGHTING REQUIREMENTS ARE MET. FINAL QUANTITY, LOCATION, POWER REQUIREMENTS, FIXTURE SPECIFICATIONS, AND REQUIRED CABLING ALLOCATIONS TO BE PROVIDED BY LIGHTING DESIGNER/PROVIDER.

GENERAL GUEST CIRCULATION WILL REQUIRE ADDITIONAL LIGHTING BY WAY OF 4000K WASHES TO PROVIDE GENERAL ILLUMINATION - LIGHTS TO BE CONNECTED TO DIMMER OR DMX CONTROLLER FOR LEVEL CONTROL.

NOTE THAT THIS PLAN DOES NOT SHOW LIGHTING INTEGRATED INTO ELEVATIONS AND INTERACTIVE BASES/MILWAUKEE - REFER TO DETAILED DRAWINGS FOR ADDITIONAL INTEGRATED LIGHTING ELEMENTS

- LEGEND**
- LOCATION OF LED LIGHTING
  - SOFFIT BUILDOUT
  - A** - RECESSED LED STRIP LIGHTING INTO SCENIC HEADER
  - B** - PINLIGHT OR SIMILAR REQUIRED FOR ILLUMINATION OF MARQUEE SIGNAGE
  - C** - EMERGENCY EXIT DOORS TO HAVE LIGHTING AS REQUIRED BY LOCAL CODE REQUIREMENTS
  - D** - ADDITIONAL LIGHTING REQUIRED TO ENSURE AMBIENT OPERATIONAL LIGHTING REQUIREMENTS ARE MET FOR ZED 21 CAMERA & GESTURE-TRACKED INTERACTIVE
  - E** - ADDITIONAL LIGHTING REQUIRED TO ENSURE AMBIENT OPERATIONAL LIGHTING REQUIREMENTS ARE MET FOR PROXIMITY SENSOR & INTERACTIVE FUNCTIONALITY
  - F** - GENERAL LIGHTING FOR 'INSTAGRAM WALL' - LIGHTING DESIGN/SELECTION SHOULD BE GATHERED TO HIGH QUALITY CELL-PHONE PHOTOGRAPHS OF GUESTS. AVOIDING LARGE OR DRAMATIC COLOR WASHES ON SUBJECTS
  - G** - GENERAL LIGHTING FOR THEATER EXIT PATH ILLUMINATION (TRACK OR SIMILAR)
  - H** - GENERAL STATIC COLOR WASHES ON ACRYLIC SHARDS AND SUPERSGRAPHIC WALL
  - J** - THEMED PORTAL LIGHTING FOR ACCESS DOORWAYS BETWEEN SPACE STATION AND EXHIBIT SPACE
  - K** - PINLIGHT OR SIMILAR REQUIRED FOR INDIVIDUAL ILLUMINATION OF ACRYLIC SHARDS - QTY. 4 - COLOR TO BE MATCH INTEGRATED LEDS WITHIN SHARD BASES

EXHIBIT AREA - LIGHTING CONTROL INTENT  
SCALE: 1/8" = 1'

D2-181

RUSSELL C. DAVIS  
PLANETARIUM

THIS DOCUMENT CONTAINS COPYRIGHT MATERIAL AND TRADE SECRET INFORMATION BELONGING TO FALCON'S TREEHOUSE AND ITS CLIENT AS NOTED ON PACKAGE. ANY UNAUTHORIZED USE, DISCLOSURE, DISSEMINATION OR PUBLICATION OF ANY OF THE INFORMATION CONTAINED HEREIN MAY RESULT IN LIABILITY UNDER APPLICABLE LAWS.

JACKSON  
PLANETARIUM

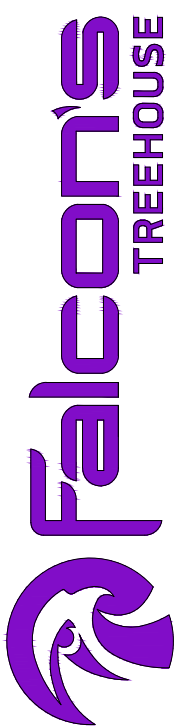
PHASE 1 - 100% DESIGN DEVELOPMENT - EXHIBIT AREA

EXHIBIT AREA  
LIGHTING CONTROL INTENT

SCALE: AS NOTED

DATE: 01-31-2025

DWG NO.: D2-181





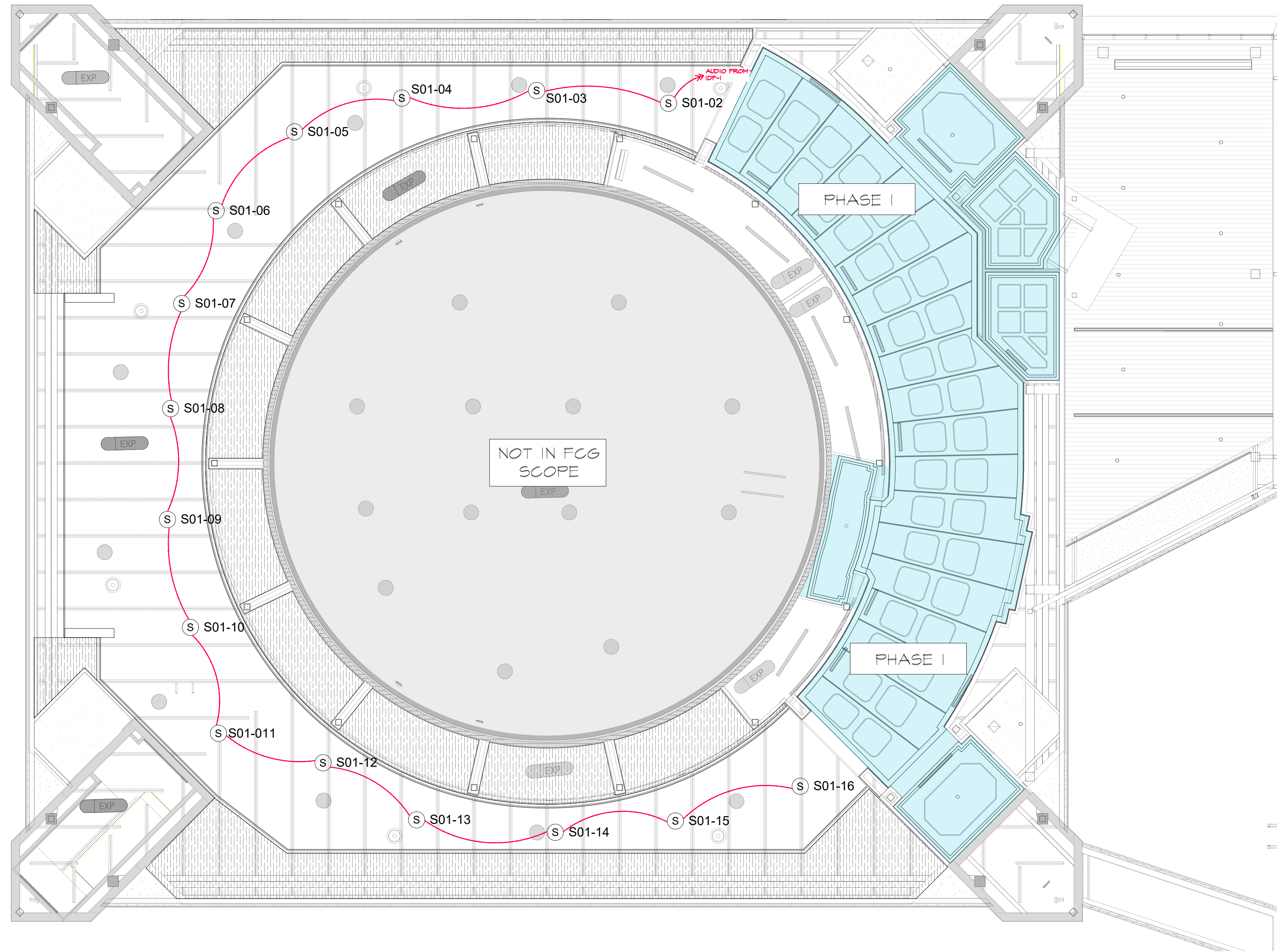


EXHIBIT AREA - AUDIO DESIGN INTENT  
SCALE: 1/8" = 1'

D2-182

**AUDIO DESCRIPTION:**  
NOTE THAT THIS PLAN CONSISTS OF GENERAL AREA SPEAKERS ONLY AND DOES NOT INCLUDE ANY SPEAKERS INTEGRAL TO THE OPERATION/MEDIA PLAYBACK OF INDIVIDUAL INTERACTIVES.  
SPEAKERS IN EXHIBIT SIDE TO BE PENDANT MOUNTED SPEAKERS (AD-P6T OR SIMILAR) AFFIXED TO CEILING - SPEAKERS TO BE BLACK. SPEAKERS TO SHARE A SINGLE CHANNEL. AS ZONE-WISE BSM. ALL SPEAKERS TO ROUTE BACK TO AMPLIFIER LOCATED IN IDF-1.  
SPEAKER LOCATION/PLACEMENT IS A RECOMMENDATION ONLY AND WILL REQUIRE ADDITIONAL REVIEW & APPROVAL BY AV INTEGRATOR TO ENSURE COVERAGE THROUGHOUT SPACE. FINAL SPEAKER COUNT MAY VARY BASED ON AV INTEGRATOR RECOMMENDATIONS.  
SPECIAL CONSIDERATIONS SHOULD BE MADE WHEN SETTING AUDIO LEVELS TO ENSURE THAT BSM AUDIO DOES NOT INTERFERE WITH INTERACTIVE AUDIO - ADDITIONAL CHANNELS MAY BE REQUIRED FOR ADDITIONAL CONTROL OF SPEAKER LEVELS FOR THOSE CLOSE TO INTERACTIVES WHERE AUDIO BLEED IS A CONCERN.

- GENERAL NOTES**
- SEE D2-591 FOR CABLE ROUTING INFORMATION
  - ALL PLAYBACK DEVICE DATA LINES ROUTED BACK TO ZONE AMPLIFIER IN IDF-1

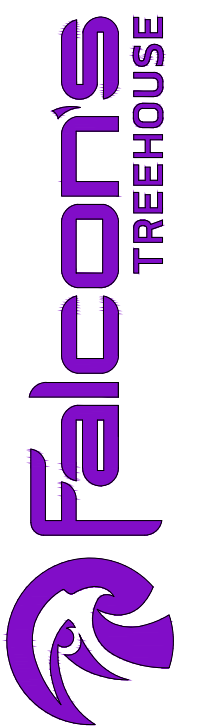
RUSSELL C. DAVIS  
PLANETARIUM

THIS DOCUMENT CONTAINS COPYRIGHT MATERIAL AND TRADE SECRET INFORMATION BELONGING TO FALCON'S TREEHOUSE AND ITS CLIENT AS NOTED ON PACKAGE. ANY UNAUTHORIZED USE, DISCLOSURE, DISSEMINATION OR PUBLICATION OF ANY OF THE INFORMATION CONTAINED HEREIN MAY RESULT IN LIABILITY UNDER APPLICABLE LAWS.

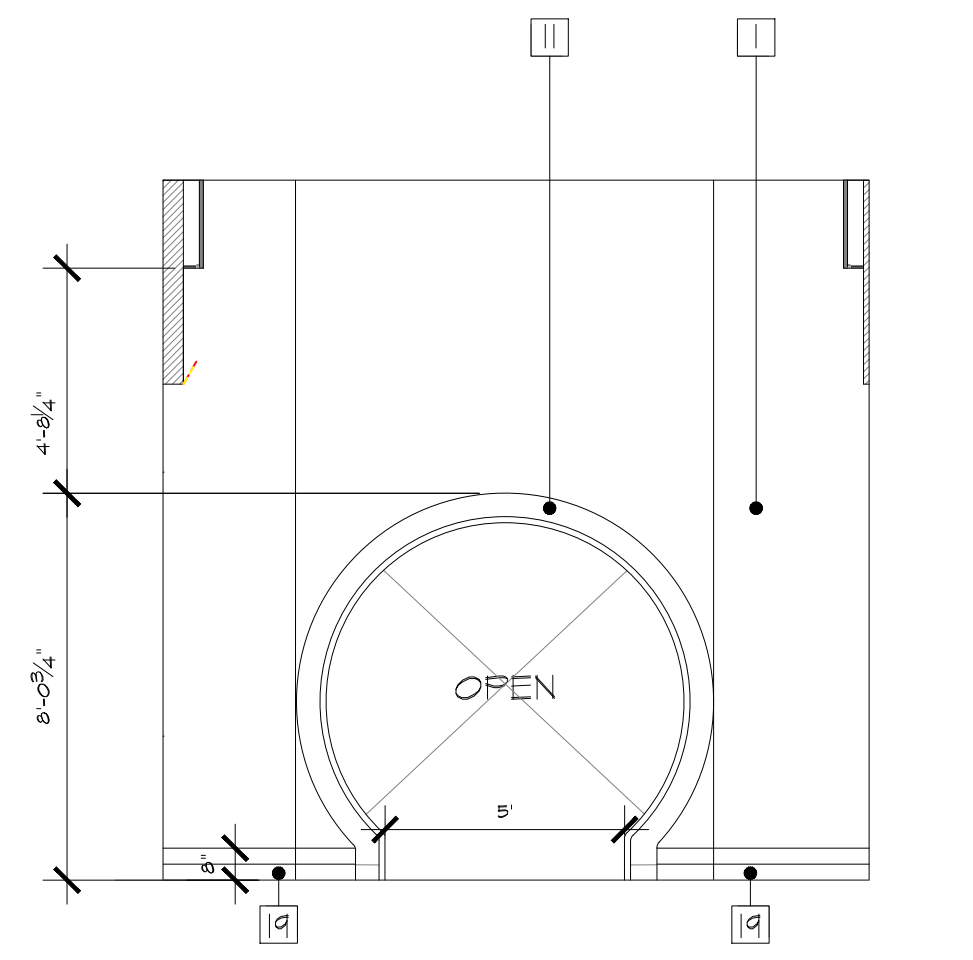
JACKSON  
PLANETARIUM

PHASE 1  
DRAWING TITLE  
100% DESIGN DEVELOPMENT - EXHIBIT AREA  
EXHIBIT AREA  
AUDIO DESIGN INTENT

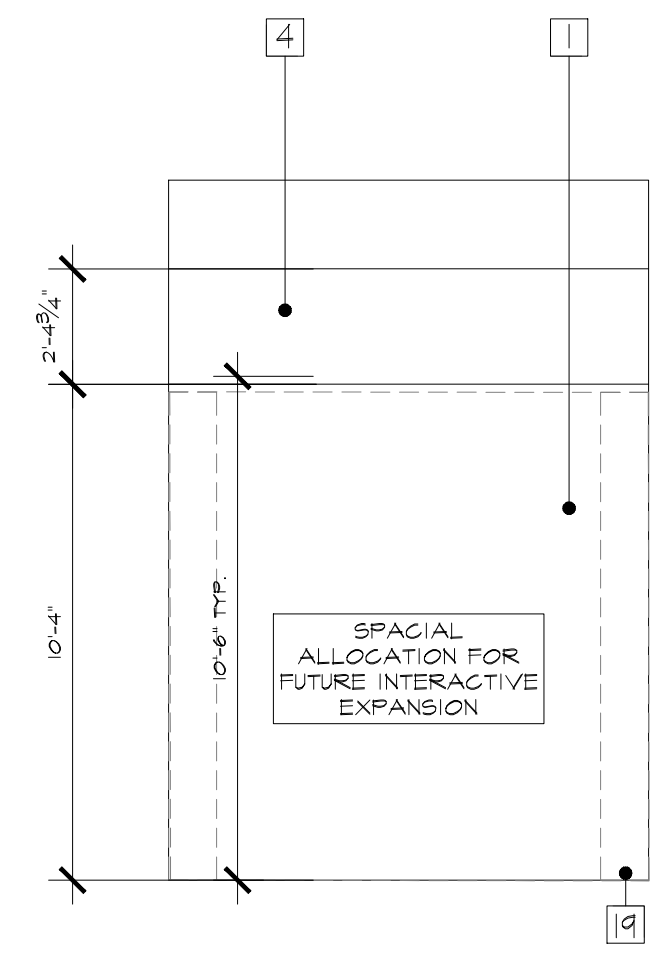
SCALE: AS NOTED  
DATE: 01-31-2025  
DWS NO.: D2-182



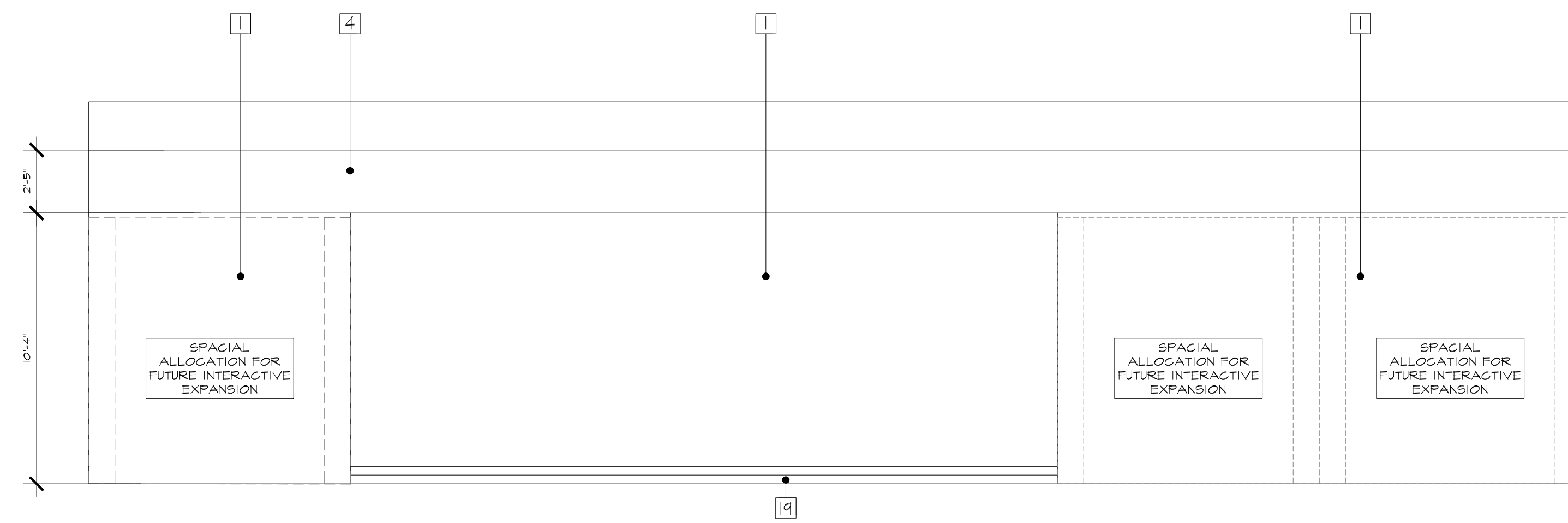




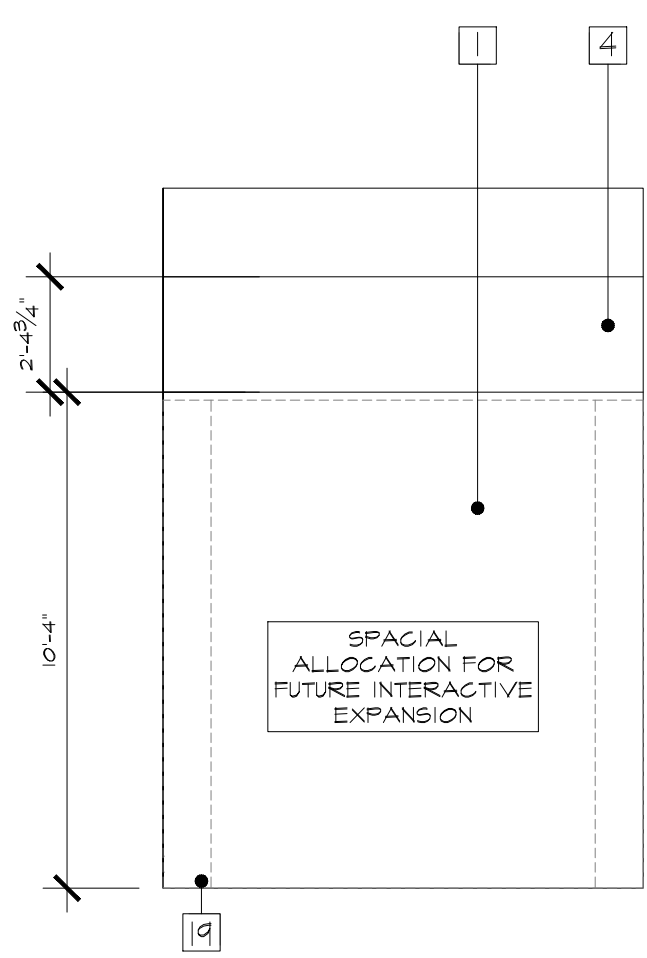
B&W ELEVATION 4.1  
SCALE: 1/4" = 1'  
D2-101 | D2-201



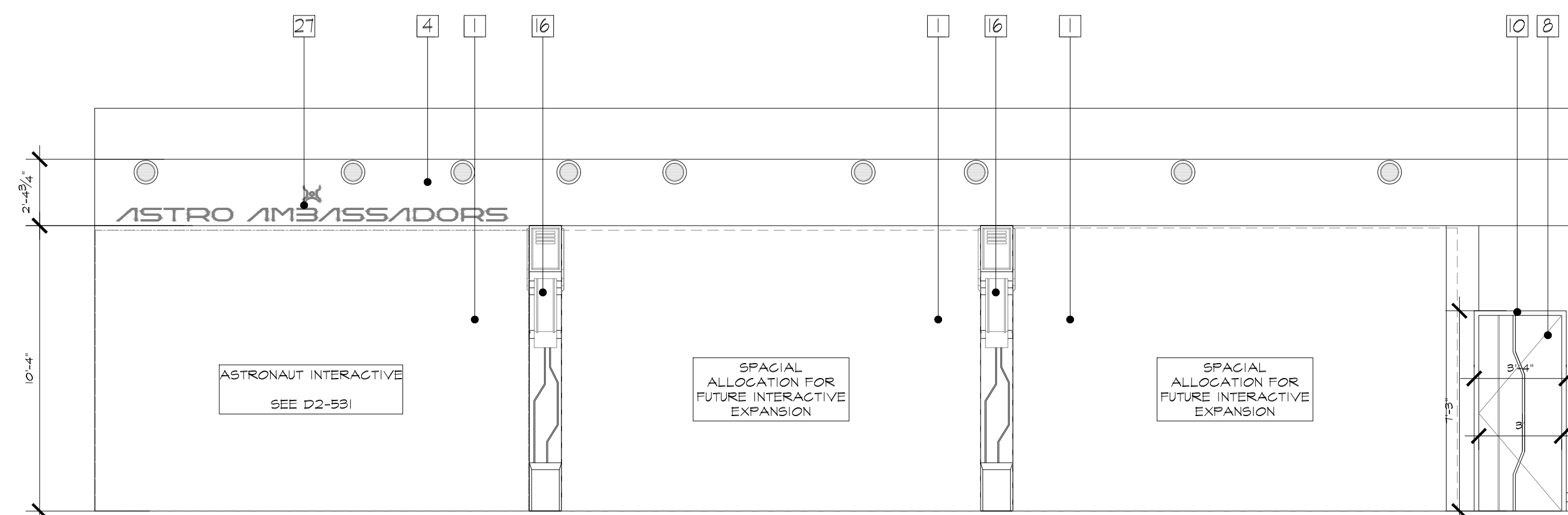
B&W ELEVATION 4.2  
SCALE: 1/4" = 1'  
D2-101 | D2-201



B&W ELEVATION 4.3  
SCALE: 1/4" = 1'  
D2-101 | D2-201



B&W ELEVATION 4.4  
SCALE: 1/4" = 1'  
D2-101 | D2-201



B&W ELEVATION 4.5  
SCALE: 1/4" = 1'  
D2-101 | D2-201

NOTES:

- 1 - DRYWALL CONSTRUCTION WITH LEVEL 4 FINISH AND SCENIC PAINT TREATMENT.
- 4 - DRYWALL SOFFIT WITH LEVEL 3 FINISH AND SCENIC PAINT TREATMENT AND INTEGRATED LED LIGHTING.
- 8 - FACILITY ACCESS DOOR WITH SCENIC PAINT TREATMENT.
- 10 - DOOR FRAME WITH SCENIC PAINT TREATMENT.
- 11 - DIMENSIONAL DOOR FRAME IN MDF CONSTRUCTION WITH TRIM MOLDING IN SCENIC PAINT FINISH - RECESSED LED LIGHTING CHANNELS INTEGRATED INTO FRAME WITH DIFFUSED ACRYLIC - CONSTRUCTED TO BE FLUSH WITH SCENIC FRAME.
- 16 - DIMENSIONAL COLUMN IN LAYER MDF CONSTRUCTION WITH THERMOFORMED KYDEX LAMINATE AND SCENIC PAINT FINISH.
- 19 - FLAT STOCK BASE BOARD FINISHED WITH HIGH PRESSURE LAMINATE. SCUFF RESISTANT PAINT ALLOWED AS AN ALTERNATIVE FINISH.
- 27 - MARQUEE SIGNAGE, WATERJET CUT ALUMINUM LETTERING ATTACHED TO DRYWALL USING ALUMINUM SPACERS AND STUDS. PLEASE REFER TO D2-622 AND GRAPHICS SCHEDULE FOR FURTHER DETAILS.

RUSSELL C. DAVIS  
PLANETARIUM

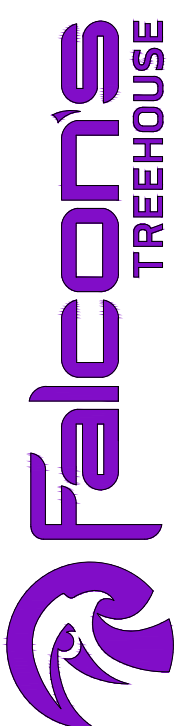
THIS DOCUMENT CONTAINS COPYRIGHT MATERIAL AND TRADE SECRET INFORMATION BELONGING TO FALCONS TREEHOUSE AND ITS CLIENT AS NOTED ON PACKAGE. ANY UNAUTHORIZED USE, DISCLOSURE, DISSEMINATION OR PUBLICATION OF ANY OF THE INFORMATION CONTAINED HEREIN MAY RESULT IN LIABILITY UNDER APPLICABLE LAWS.

JACKSON  
PLANETARIUM

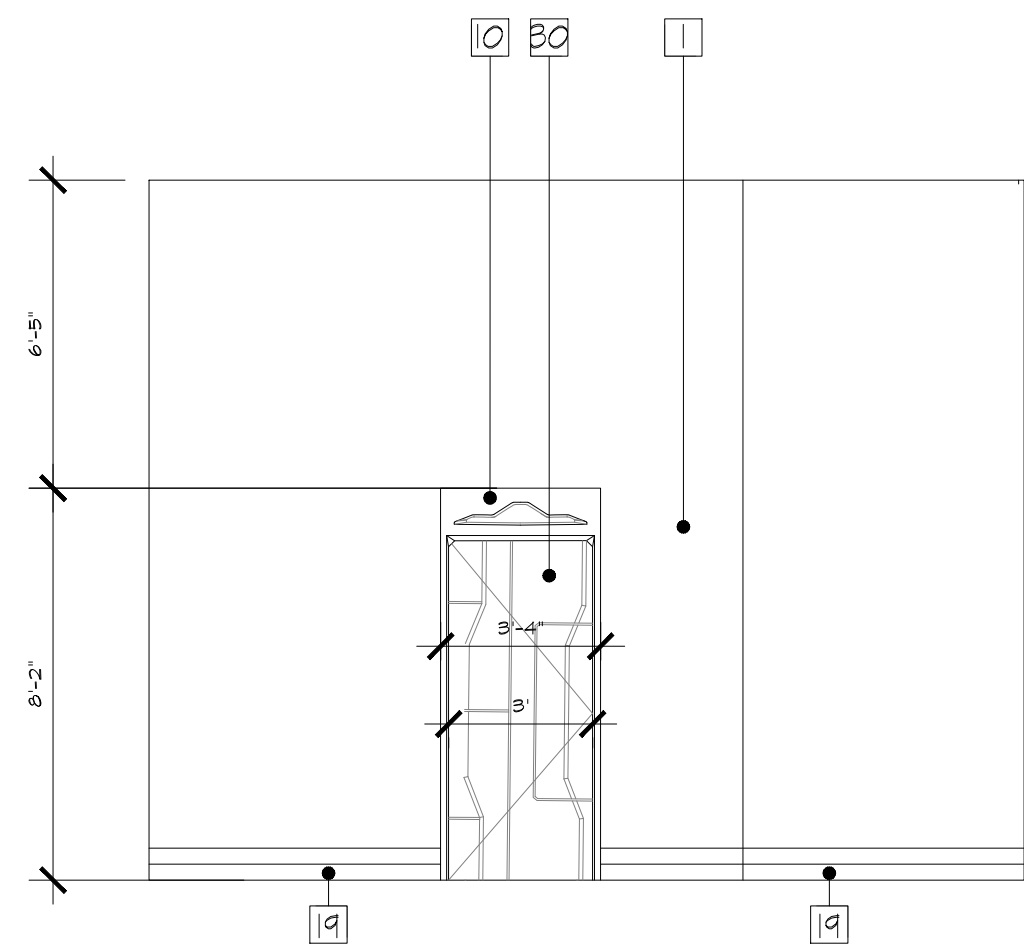
PHASE: 100% DESIGN DEVELOPMENT - EXHIBIT AREA  
DRAWING TITLE:

ZONE 4  
B&W ELEVATIONS

SCALE: AS NOTED  
DATE: 01-31-2025  
DWS NO.: D2-201







B&W ELEVATION 5.1

SCALE: 1/4" = 1'

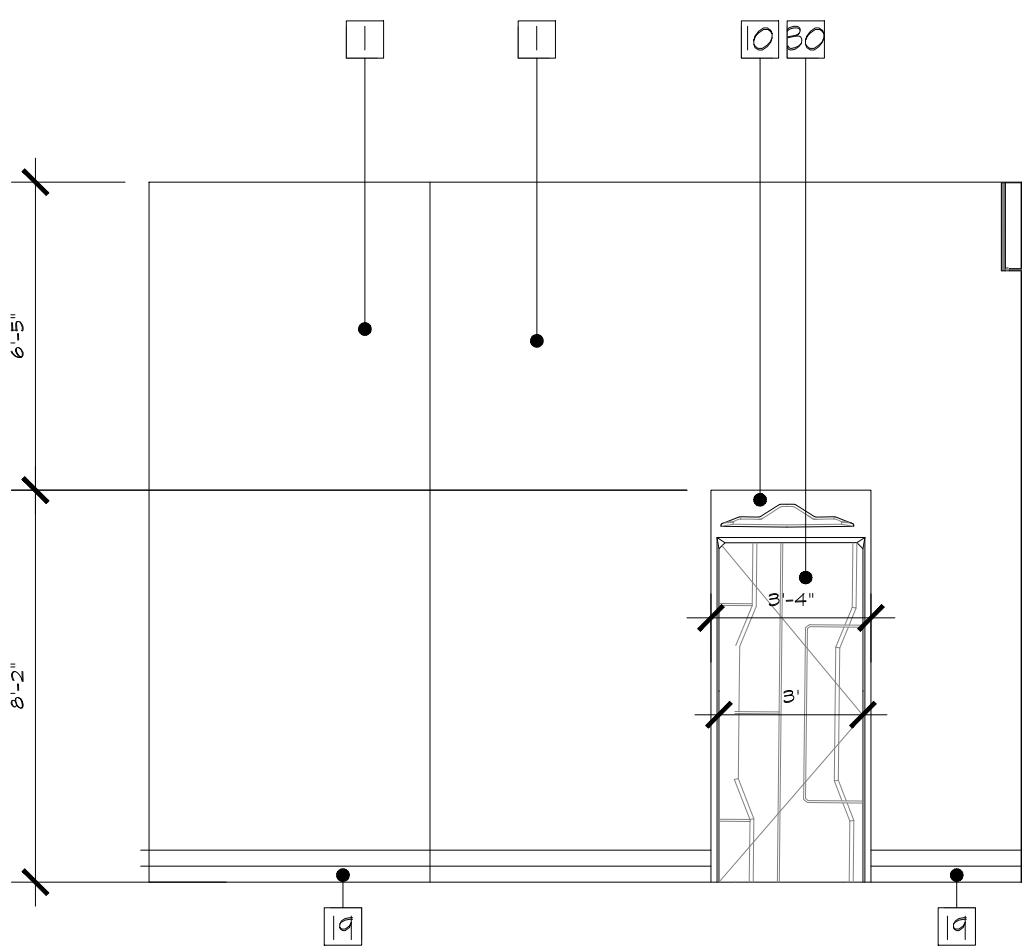
D2-101 | D2-202



B&W ELEVATION 5.2

SCALE: 1/4" = 1'

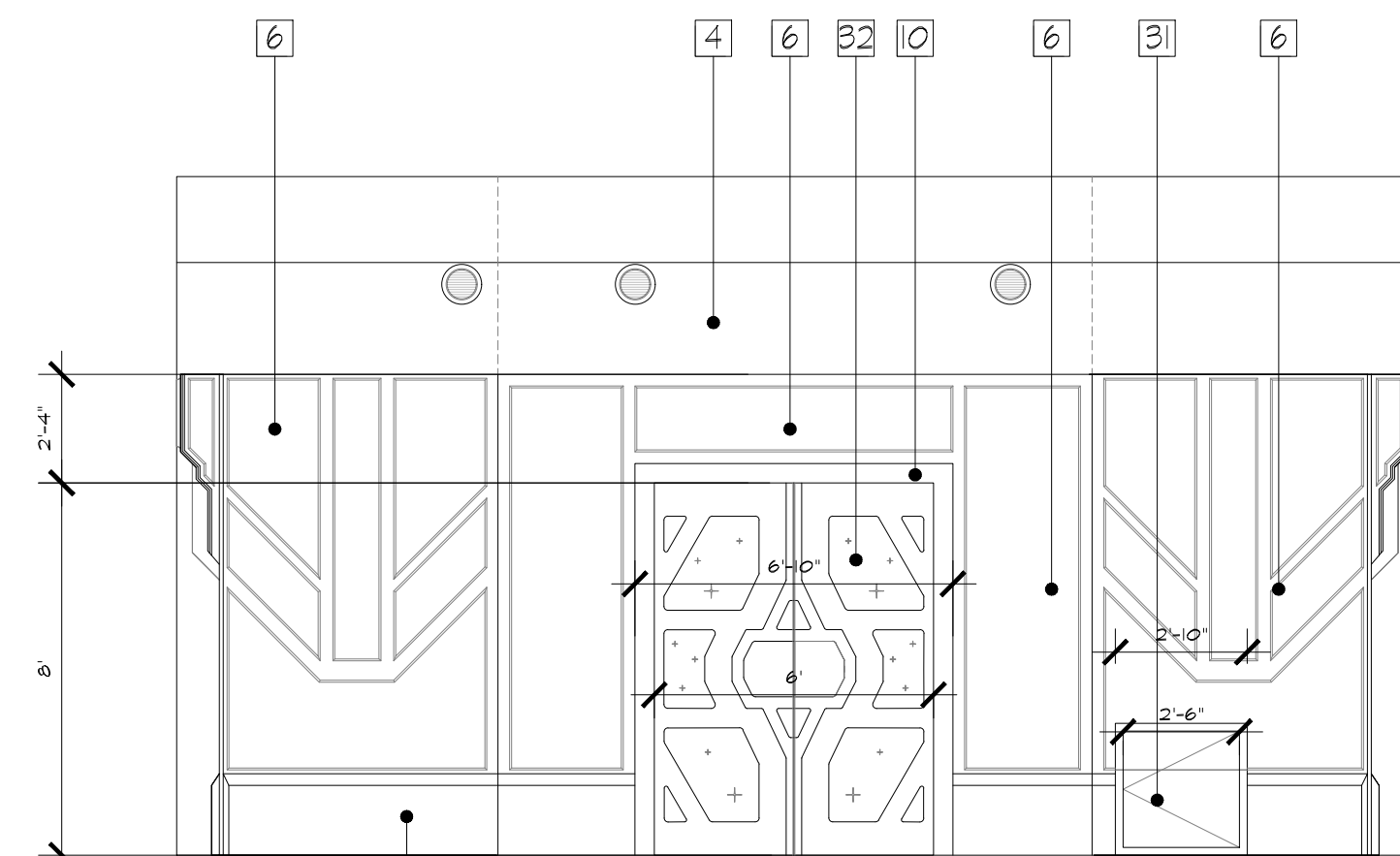
D2-101 | D2-202



B&W ELEVATION 5.3

SCALE: 1/4" = 1'

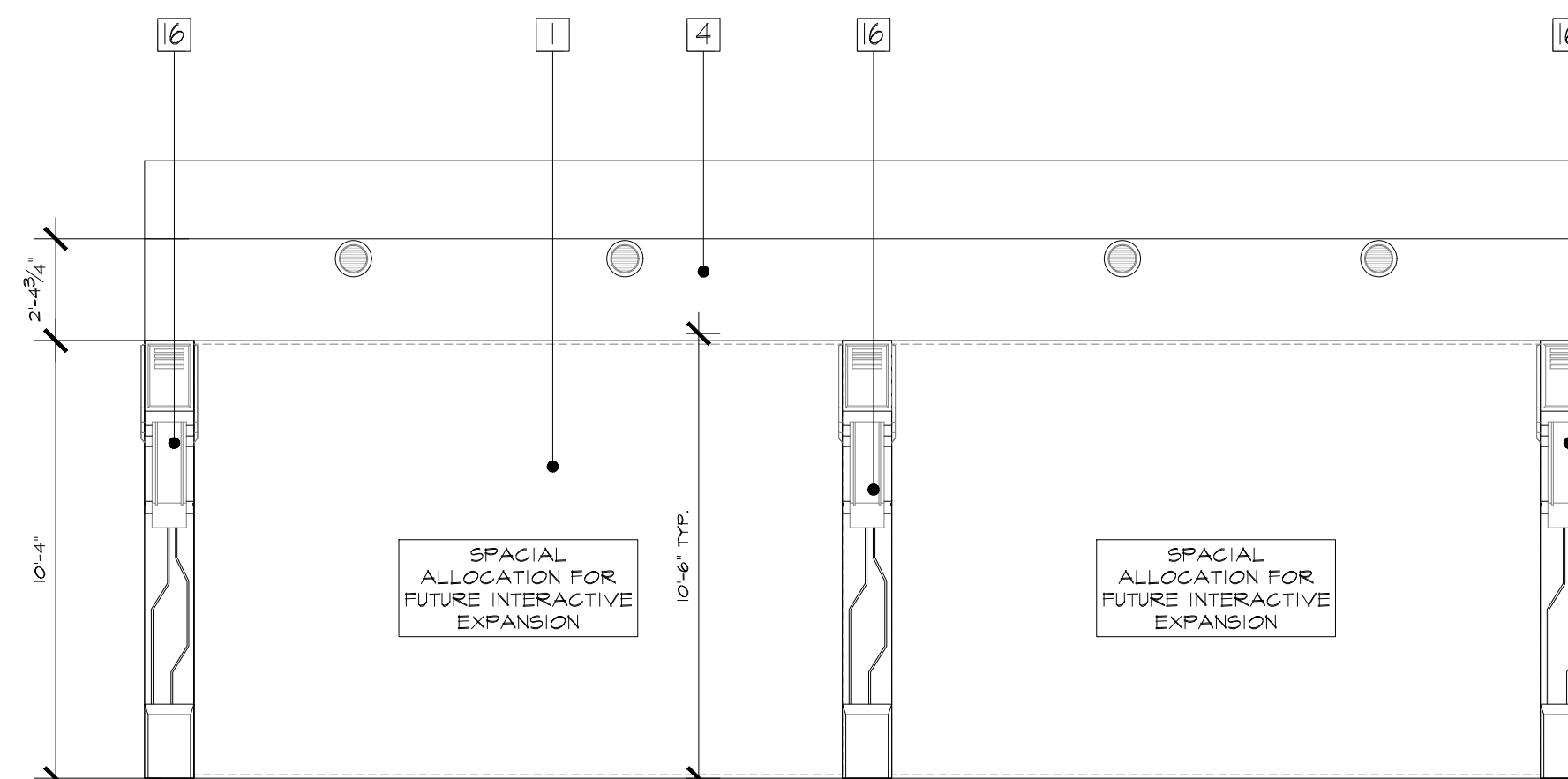
D2-101 | D2-202



B&W DEVELOPED ELEVATION 5.4

SCALE: 1/4" = 1'

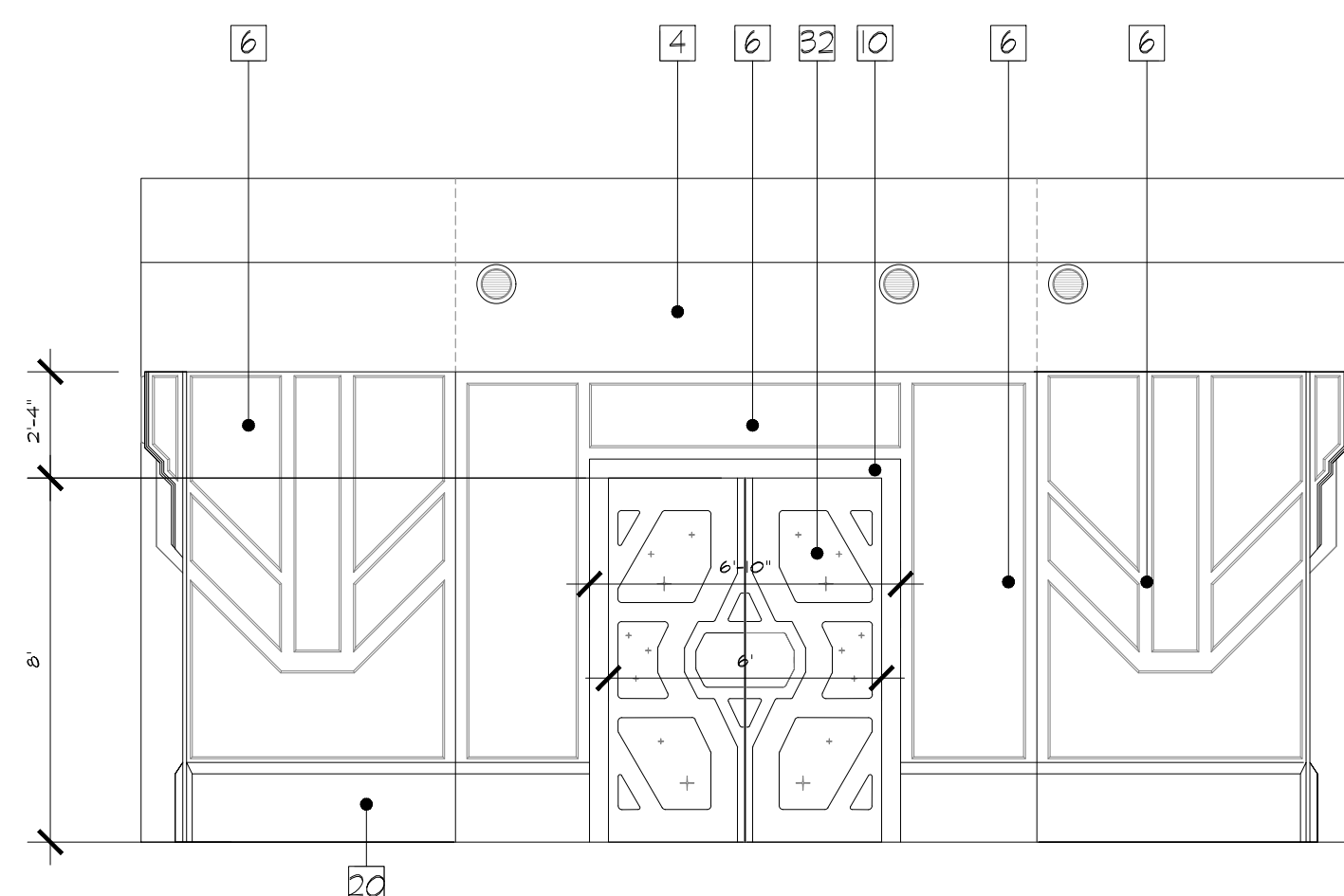
D2-101 | D2-202



B&W ELEVATION 5.5

SCALE: 1/4" = 1'

D2-101 | D2-202



B&W DEVELOPED ELEVATION 5.6

SCALE: 1/4" = 1'

D2-101 | D2-202

NOTES:

- 1 - DRYMALL CONSTRUCTION WITH LEVEL 4 FINISH AND SCENIC PAINT TREATMENT.
- 4 - DRYMALL SOFFIT WITH LEVEL 3 FINISH AND SCENIC PAINT TREATMENT AND INTEGRATED LED LIGHTING
- 6 - DIMENSIONAL SCENIC CLADDING IN LAYERED MDF CONSTRUCTION WITH SCENIC PAINT FINISH
- 8 - FACILITY ACCESS DOOR WITH SCENIC PAINT TREATMENT
- 10 - DOOR FRAME WITH SCENIC PAINT TREATMENT
- 15 - DIMENSIONAL SCENIC CLADDING IN LAYERED MDF CONSTRUCTION WITH THERMOFORMED KYDEX LAMINATE OR SIMILAR FINISH TREATMENT
- 16 - DIMENSIONAL COLUMN IN LAYER MDF CONSTRUCTION WITH THERMOFORMED KYDEX LAMINATE AND SCENIC PAINT FINISH
- 19 - FLAT STOCK BASE BOARD FINISHED WITH HIGH PRESSURE LAMINATE. SCUFF RESISTANT PAINT ALLOWED AS AN ALTERNATIVE FINISH.
- 20 - FLAT STOCK BASE BOARD WITH 45-DEGREE CHAMFERED EDGE AND FINISHED WITH HIGH PRESSURE LAMINATE. SCUFF RESISTANT PAINT ALLOWED AS AN ALTERNATIVE FINISH
- 22 - EMERGENCY EGRESS DOOR WITH SCENIC PAINT TREATMENT
- 31 - FACILITY ACCESS HATCH WITH SCENIC PAINT TREATMENT
- 32 - THEATER EXIT DOORS WITH SCENIC PAINT TREATMENT

RUSSELL C. DAVIS  
PLANETARIUM

THIS DOCUMENT CONTAINS COPYRIGHT MATERIAL AND TRADE SECRET INFORMATION BELONGING TO FALCONS TREEHOUSE AND ITS CLIENT AS NOTED ON PACKAGE. ANY UNAUTHORIZED USE, DISCLOSURE, REPRODUCTION OR PUBLICATION OF ANY OF THE INFORMATION CONTAINED HEREIN MAY RESULT IN LIABILITY UNDER APPLICABLE LAWS.

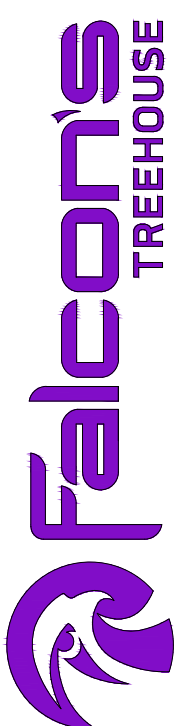
JACKSON  
PLANETARIUM

PHASE: 100% DESIGN DEVELOPMENT - EXHIBIT AREA  
DRAWING TITLE:

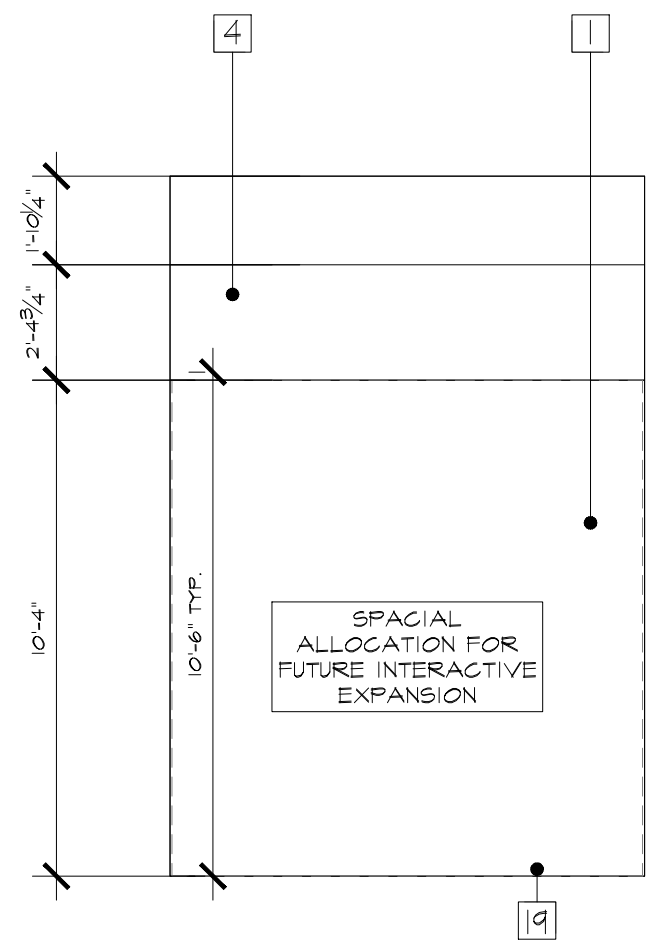
ZONE 5  
B&W ELEVATIONS

SCALE: AS NOTED  
DATE: 01-31-2025  
DWG NO.:

D2-202



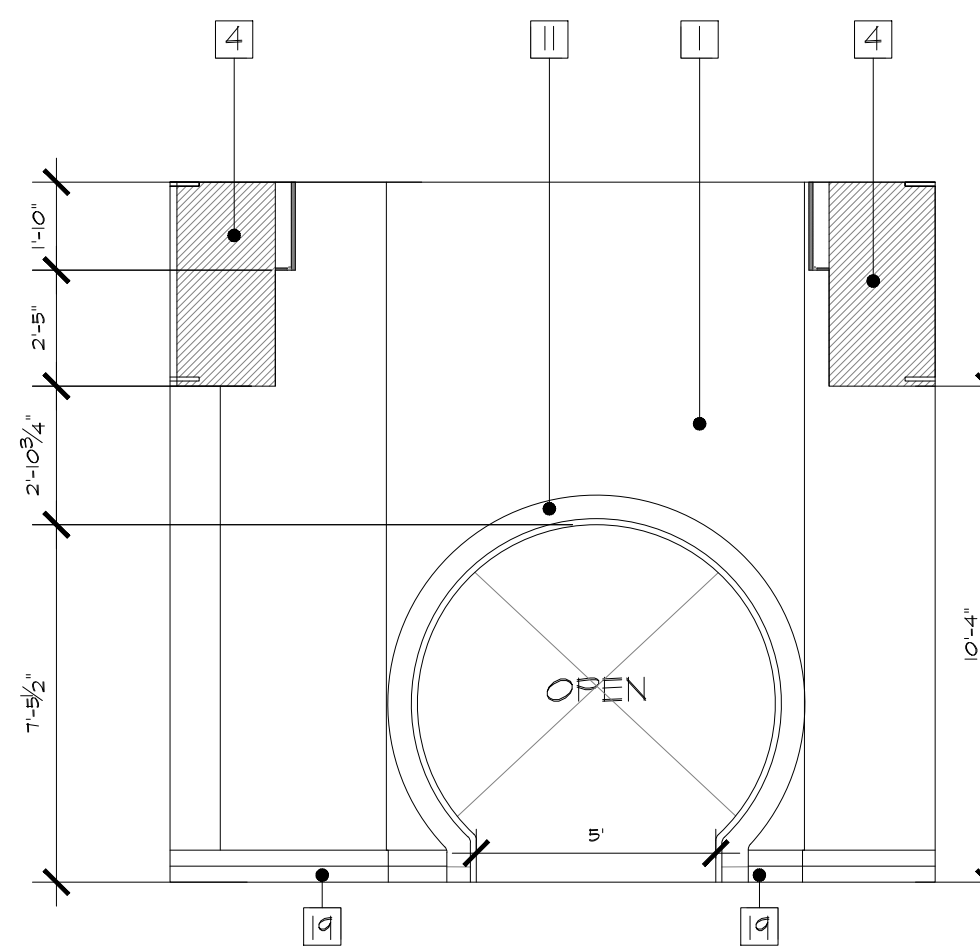




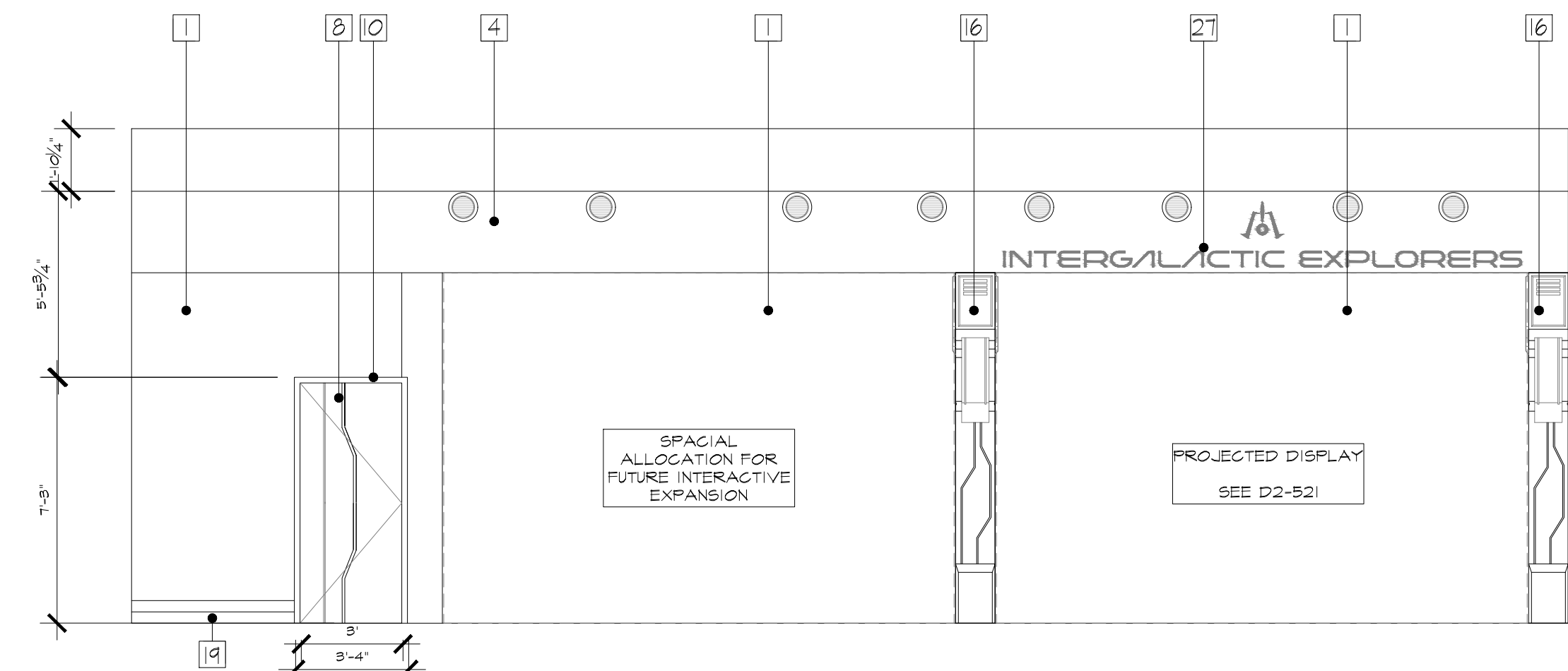
B&W ELEVATION 6.1  
SCALE: 1/4" = 1'  
D2-101 | D2-203



B&W ELEVATION 6.2  
SCALE: 1/4" = 1'  
D2-101 | D2-203



B&W ELEVATION 6.3  
SCALE: 1/4" = 1'  
D2-101 | D2-203



B&W ELEVATION 6.4  
SCALE: 1/4" = 1'  
D2-101 | D2-203

NOTES:

- 1 - DRYMALL CONSTRUCTION WITH LEVEL 4 FINISH AND SCENIC PAINT TREATMENT.
- 4 - DRYMALL SOFFIT WITH LEVEL 3 FINISH AND SCENIC PAINT TREATMENT AND INTEGRATED LED LIGHTING
- 8 - FACILITY ACCESS DOOR WITH SCENIC PAINT TREATMENT
- 10 - DOOR FRAME WITH SCENIC PAINT TREATMENT
- 11 - DIMENSIONAL DOOR FRAME IN MDF CONSTRUCTION WITH TRIM MOLDING IN SCENIC PAINT FINISH - RECESSED LED LIGHTING CHANNELS INTEGRATED INTO FRAME WITH DIFFUSED ACRYLIC - CONSTRUCTED TO BE FLUSH WITH SCENIC FRAME
- 16 - DIMENSIONAL COLUMN IN LAYER MDF CONSTRUCTION WITH THERMOFORMED KYDEX LAMINATE AND SCENIC PAINT FINISH
- 19 - FLAT STOCK BASE BOARD FINISHED WITH HIGH PRESSURE LAMINATE. SCUFF RESISTANT PAINT ALLOWED AS AN ALTERNATIVE FINISH.
- 27 - MARQUEE SIGNAGE. WATERJET CUT ALUMINUM LETTERING ATTACHED TO DRYMALL USING ALUMINUM SPACERS AND STUDS. PLEASE REFER TO D2-622 AND GRAPHICS SCHEDULE FOR FURTHER DETAILS.

RUSSELL C. DAVIS  
PLANETARIUM

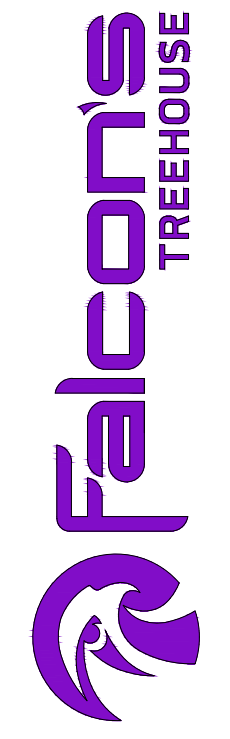
THIS DOCUMENT CONTAINS COPYRIGHT MATERIAL AND TRADE SECRET INFORMATION BELONGING TO FALCON'S TREEHOUSE AND ITS CLIENT AS NOTED ON PACKAGE. ANY UNAUTHORIZED USE, DISCLOSURE, REPRODUCTION OR PUBLICATION OF ANY OF THE INFORMATION CONTAINED HEREIN MAY RESULT IN LIABILITY UNDER APPLICABLE LAWS.

JACKSON  
PLANETARIUM

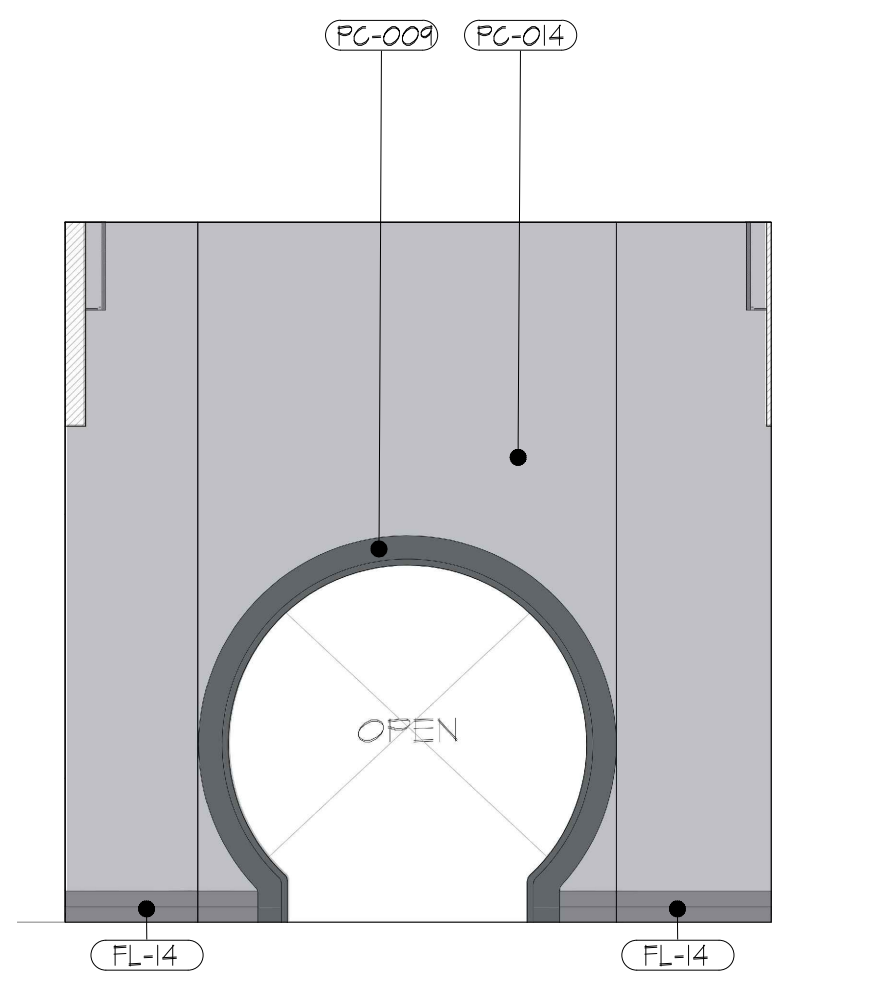
PHASE: 100% DESIGN DEVELOPMENT - EXHIBIT AREA  
DRAWING TITLE:

ZONE 6  
B&W ELEVATIONS

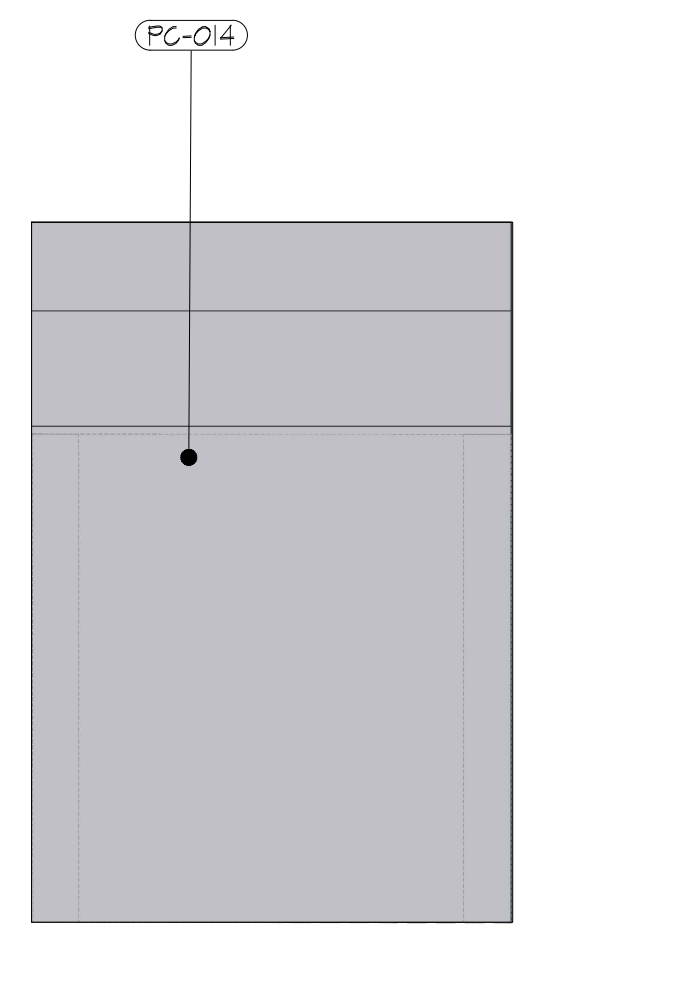
SCALE: AS NOTED  
DATE: 01-31-2025  
DWG NO.: D2-203



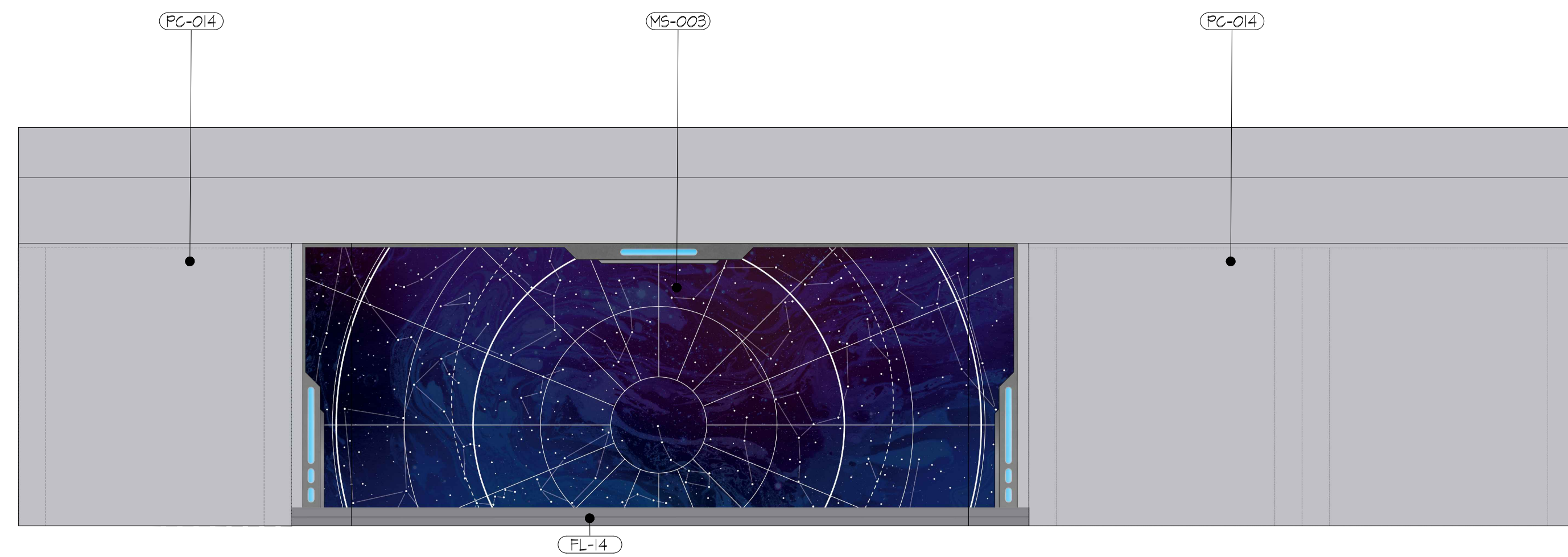




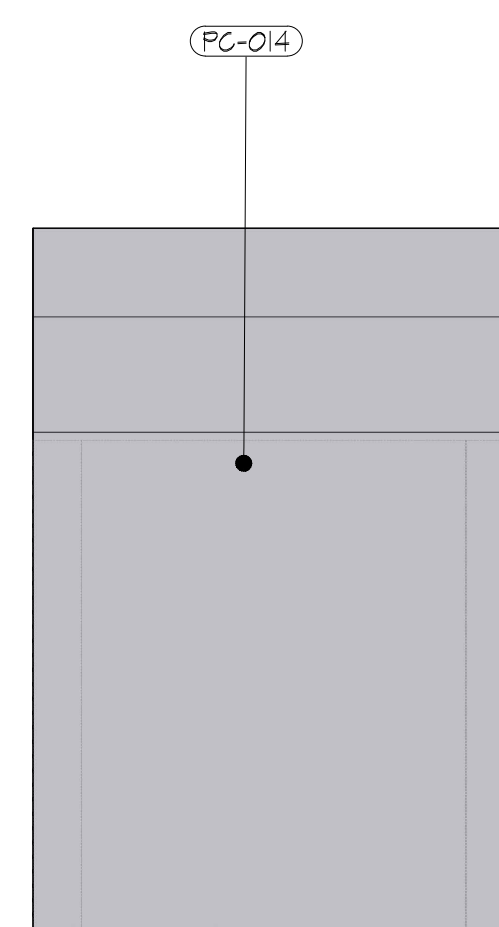
ELEVATION 4.1  
SCALE: 1/4" = 1'



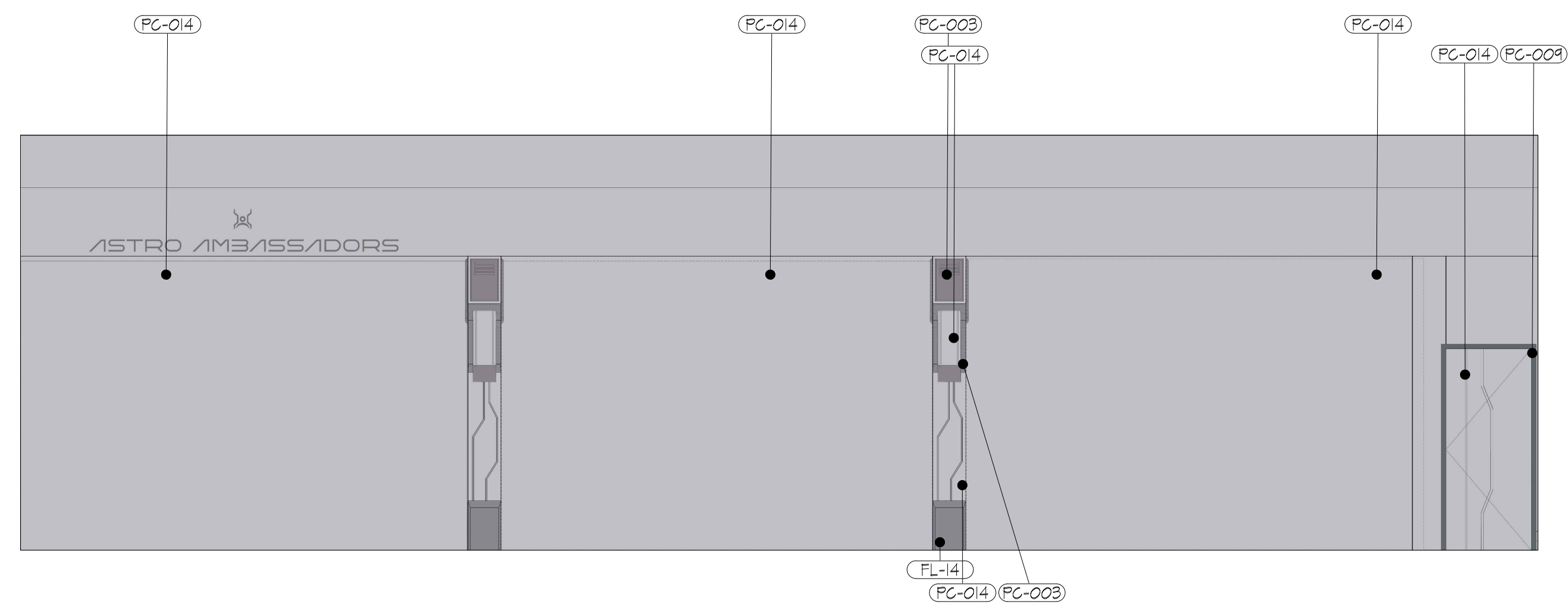
ELEVATION 4.2  
SCALE: 1/4" = 1'



ELEVATION 4.3  
SCALE: 1/4" = 1'



ELEVATION 4.4  
SCALE: 1/4" = 1'



ELEVATION 4.5  
SCALE: 1/4" = 1'

NOTES:

- (PC-00) - KYDEX PORCH 53239
- (PC-003) - SMT015 WEB GRAY
- (PC-014) - SW6254 LAZY GRAY
- (FL-14) - HIGH PRESSURE LAMINATE - MOUSE
- (M6-003) - APPLIED WALL GRAPHIC

RUSSELL C. DAVIS  
PLANETARIUM

THIS DOCUMENT CONTAINS COPYRIGHT MATERIAL AND TRADE SECRET INFORMATION BELONGING TO FALCON'S TREEHOUSE AND ITS CLIENT AS NOTED ON PACKAGE. ANY UNAUTHORIZED USE, DISCLOSURE, REPRODUCTION OR PUBLICATION OF ANY OF THE INFORMATION CONTAINED HEREIN MAY RESULT IN LIABILITY UNDER APPLICABLE LAWS.

JACKSON  
PLANETARIUM

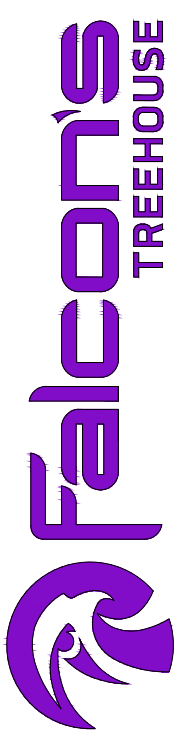
PHASE: 100% DESIGN DEVELOPMENT - EXHIBIT AREA

DRIVING TITLE:  
ZONE 4  
COLORED ELEVATIONS

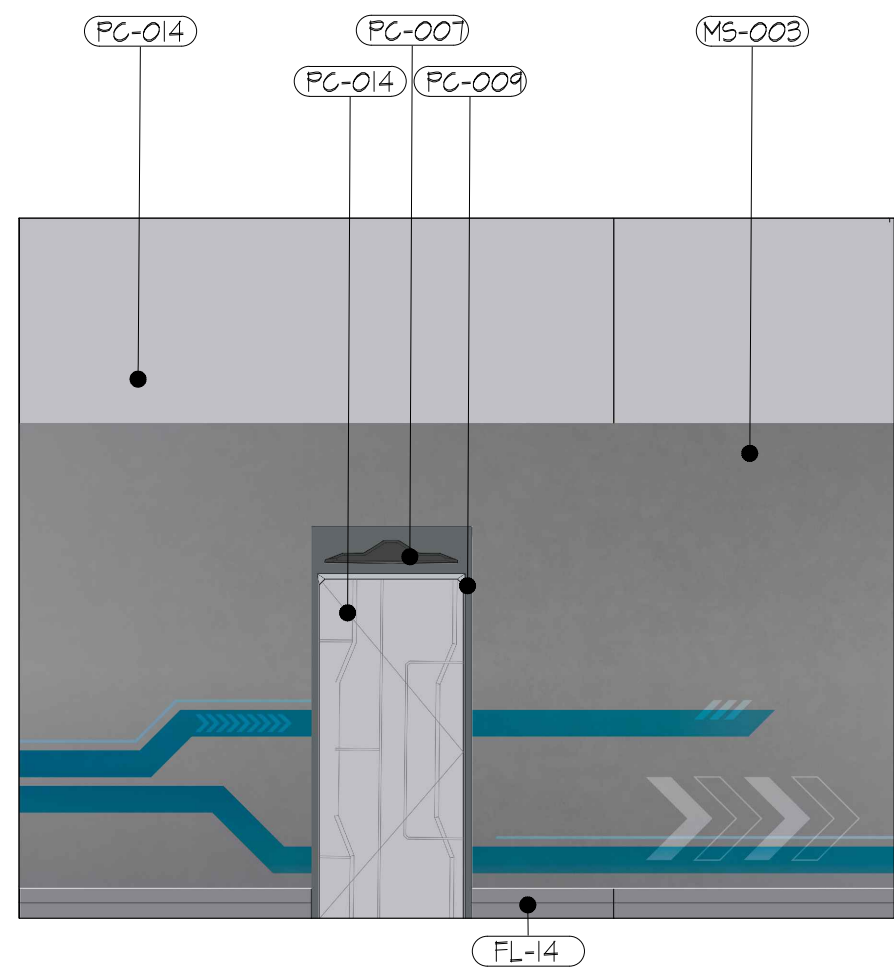
SCALE: AS NOTED

DATE: 01-31-2025

DWG NO.: D2-301



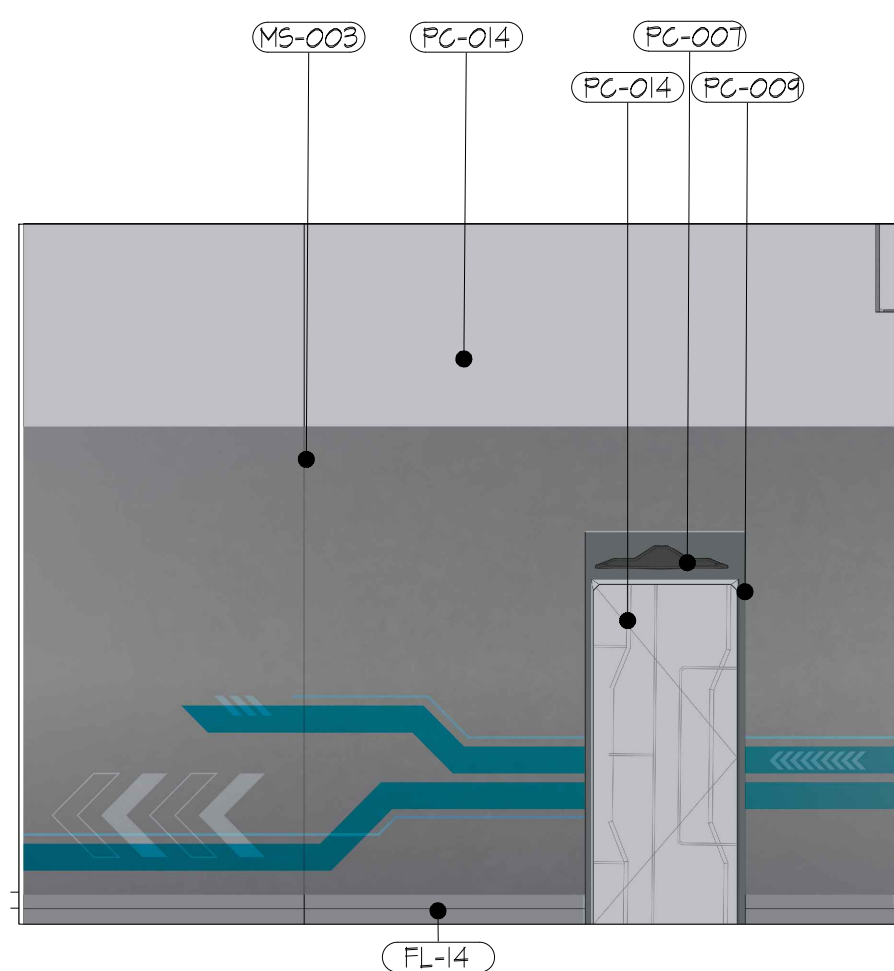




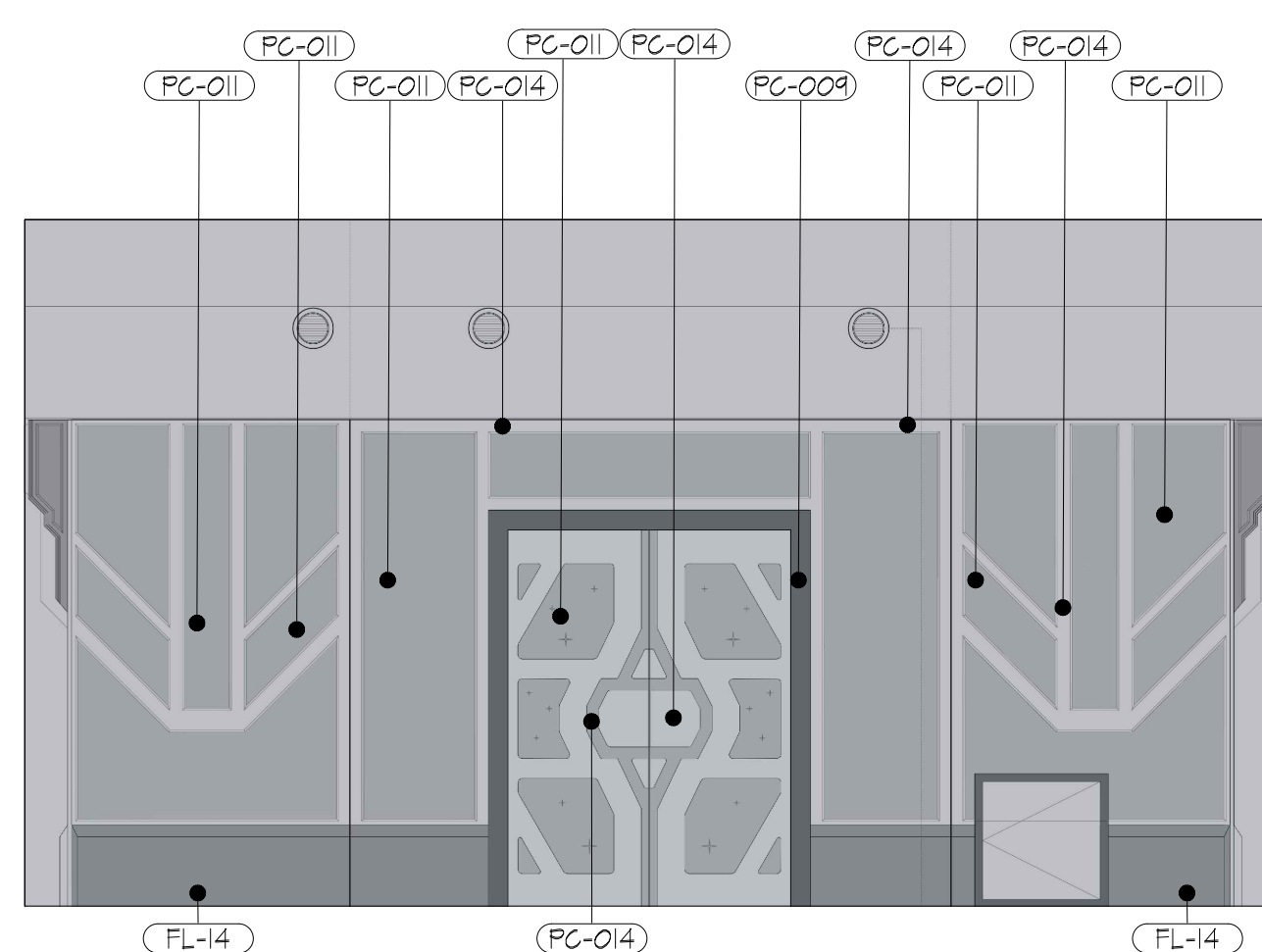
ELEVATION 5.1  
SCALE: 1/4" = 1'  
D2-302



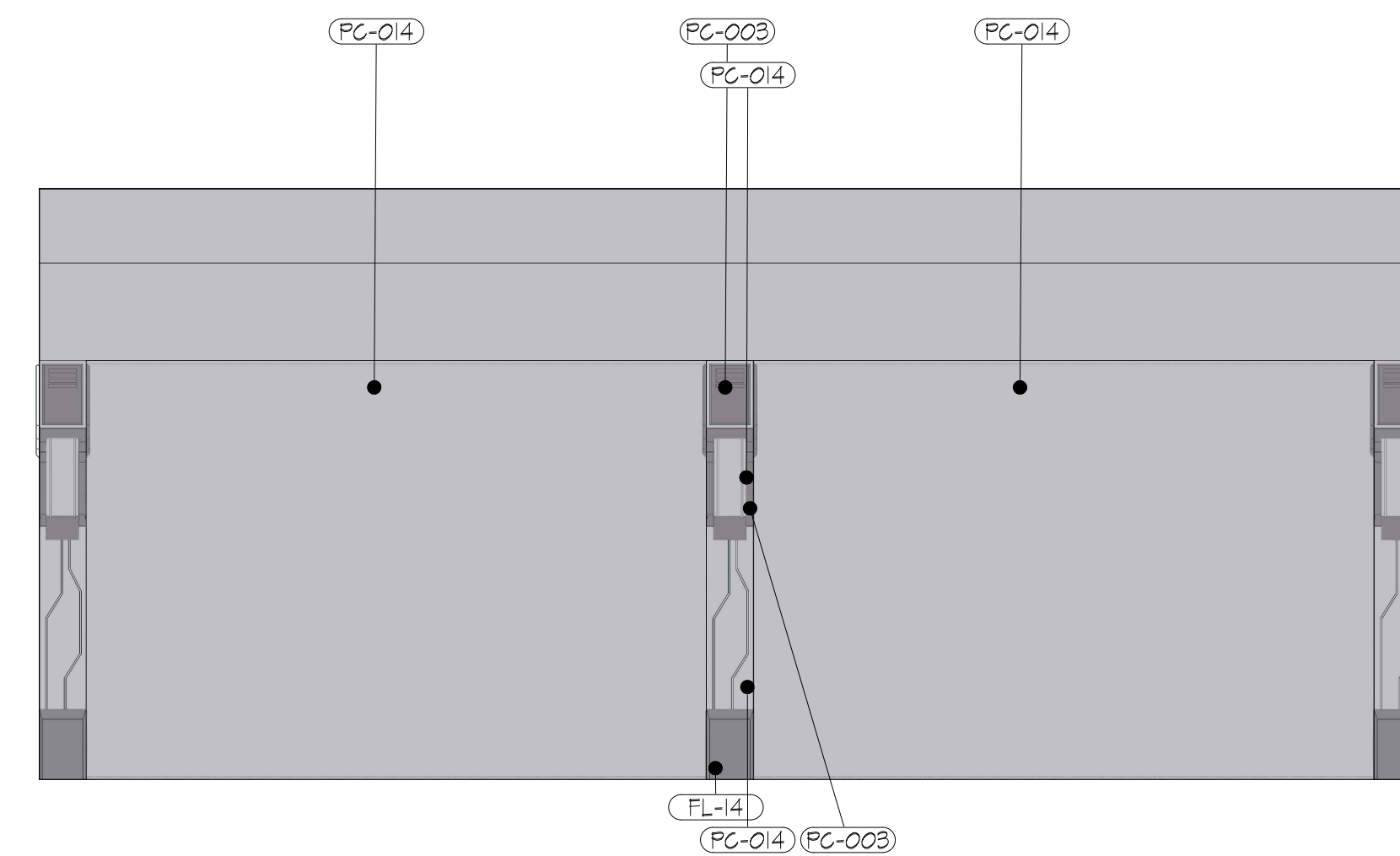
ELEVATION 5.2  
SCALE: 1/4" = 1'  
D2-302



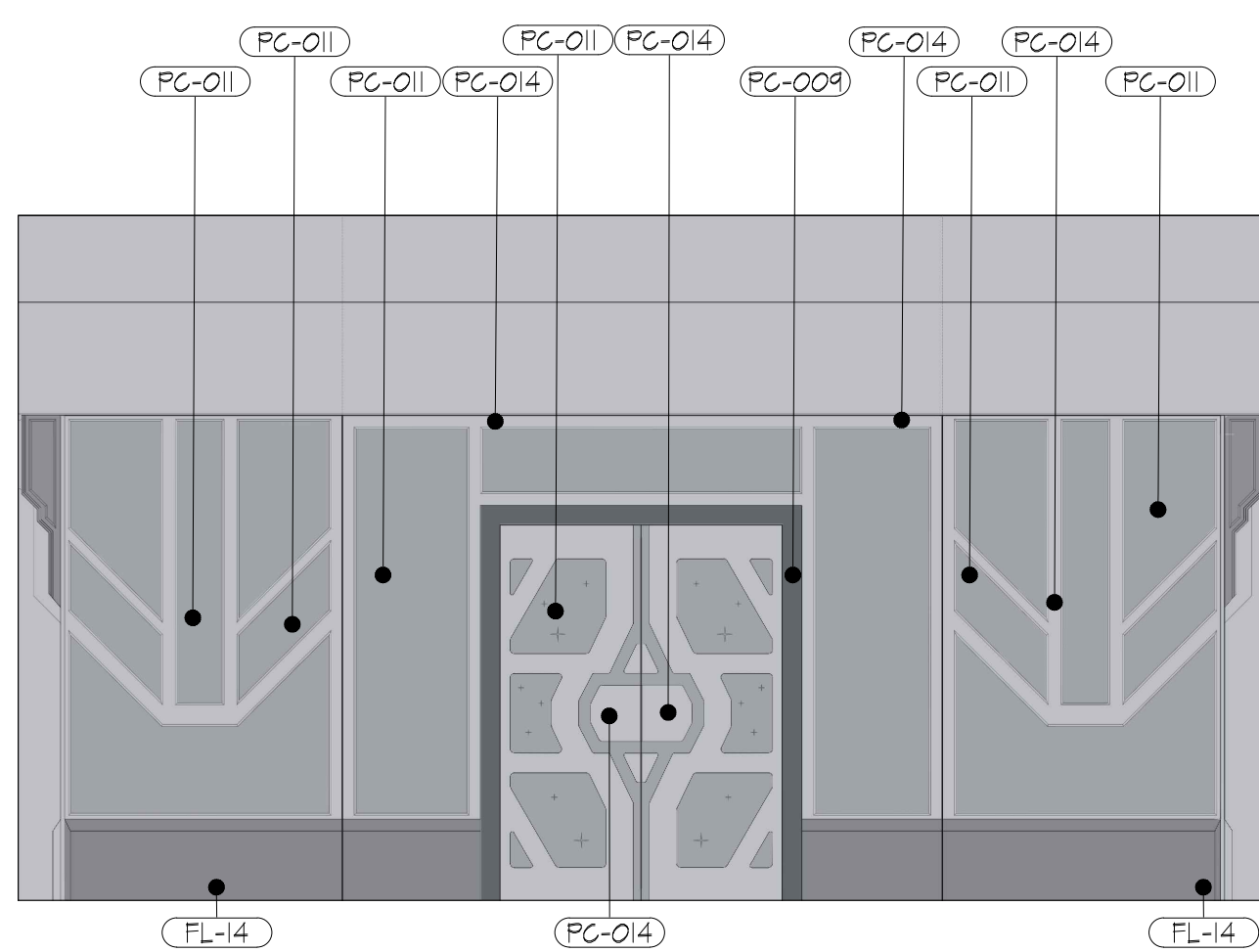
ELEVATION 5.3  
SCALE: 1/4" = 1'  
D2-302



DEVELOPED ELEVATION 5.4  
SCALE: 1/4" = 1'  
D2-302



ELEVATION 5.5  
SCALE: 1/4" = 1'  
D2-302



DEVELOPED ELEVATION 5.6  
SCALE: 1/4" = 1'  
D2-302

NOTES:

- (PC-00) - KYDEX PORCH 53239
- (PC-009) - SATO15 WEB GRAY
- (PC-011) - SATO13 NETWORK GRAY
- (PC-014) - SW6254 LAZY GRAY
- (FL-14) - HIGH PRESSURE LAMINATE - MOUSE
- (MS-003) - APPLIED MALL GRAPHIC

RUSSELL C. DAVIS  
PLANETARIUM

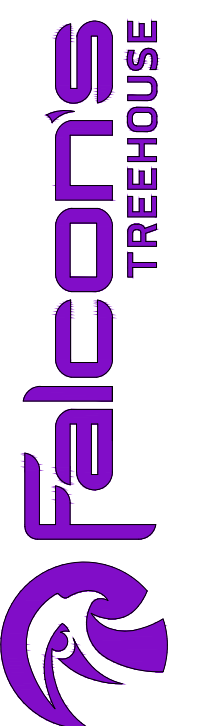
THIS DOCUMENT CONTAINS COPYRIGHT MATERIAL AND TRADE SECRET INFORMATION BELONGING TO FALCON'S TREEHOUSE AND ITS CLIENT AS NOTED ON PACKAGE. ANY UNAUTHORIZED USE, DISCLOSURE, REPRODUCTION OR PUBLICATION OF ANY OF THE INFORMATION CONTAINED HEREIN MAY RESULT IN LIABILITY UNDER APPLICABLE LAWS.

JACKSON  
PLANETARIUM

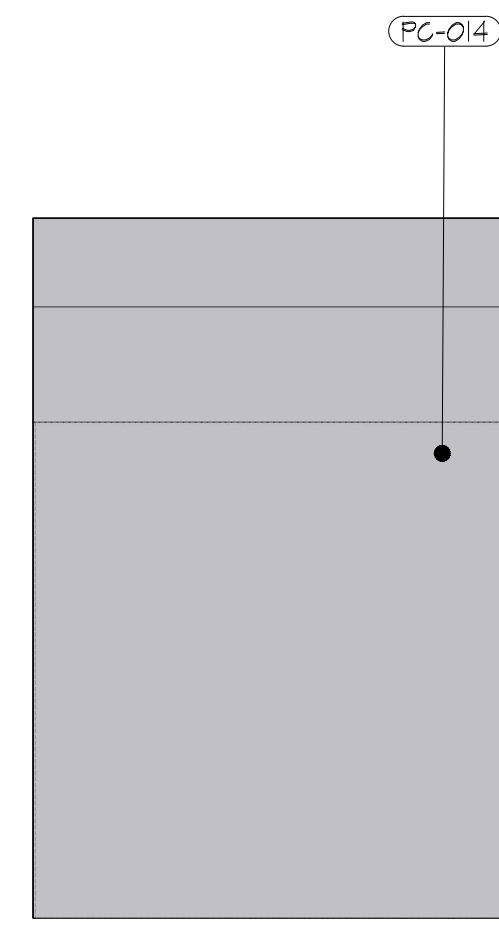
PHASE: 100% DESIGN DEVELOPMENT - EXHIBIT AREA  
DRAWING TITLE:

ZONE 5  
COLORED ELEVATIONS

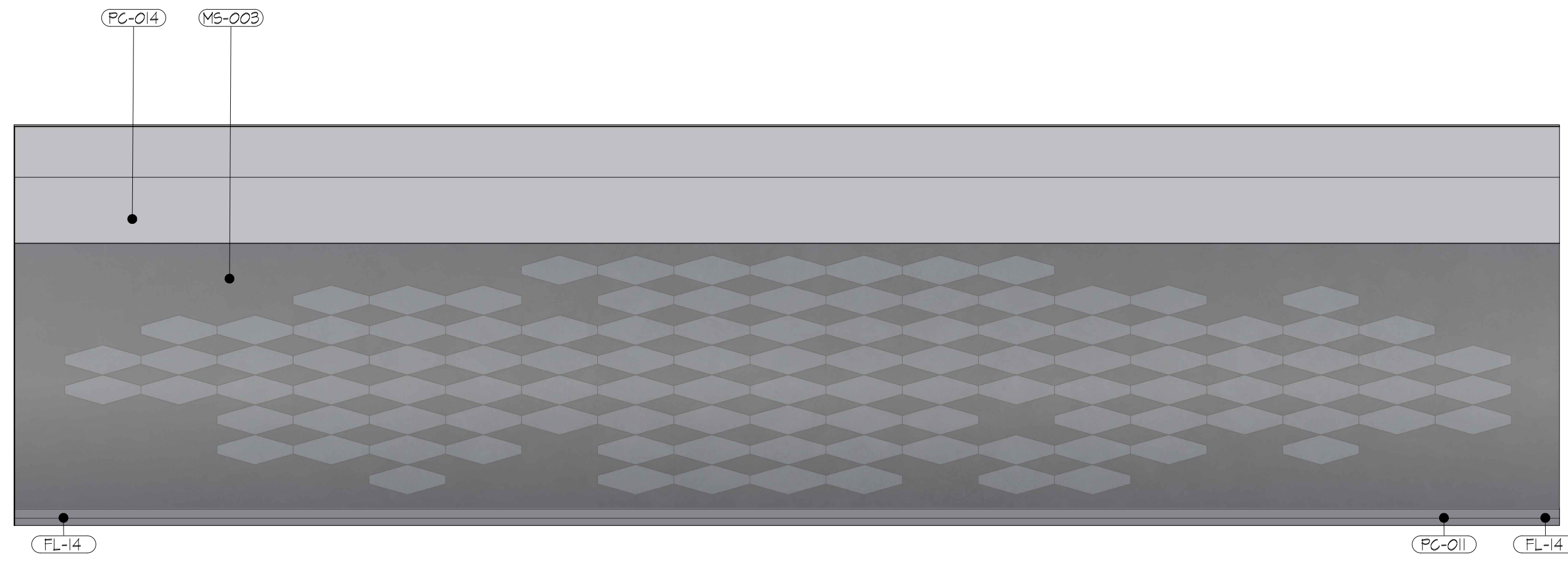
SCALE: AS NOTED  
DATE: 01-31-2025  
DWS NO.: D2-302



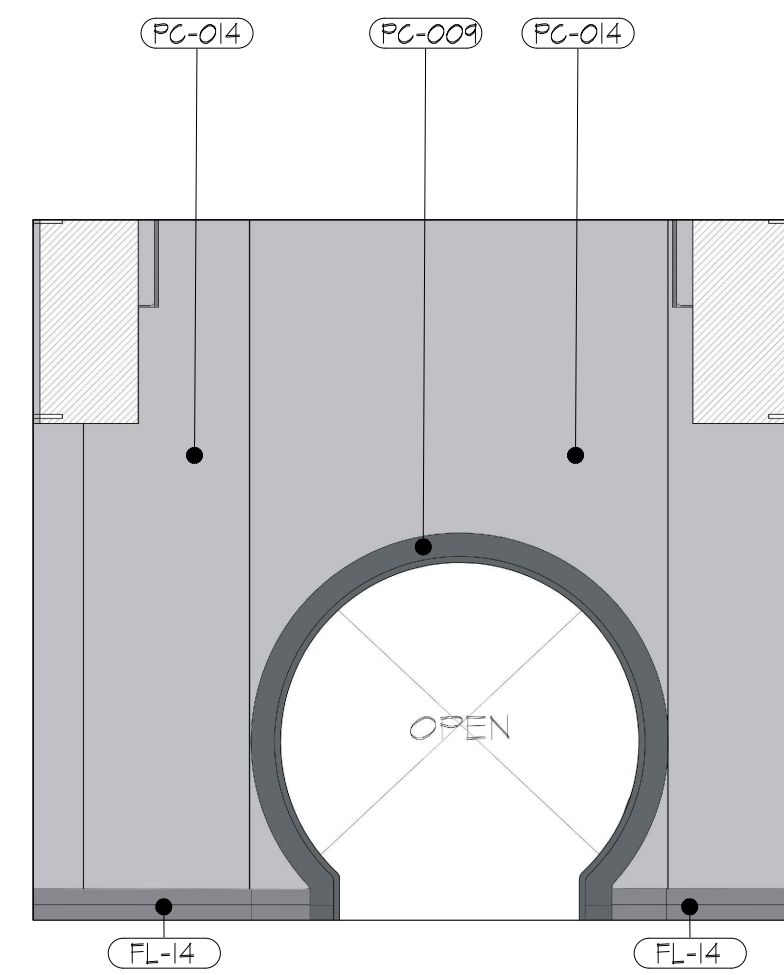




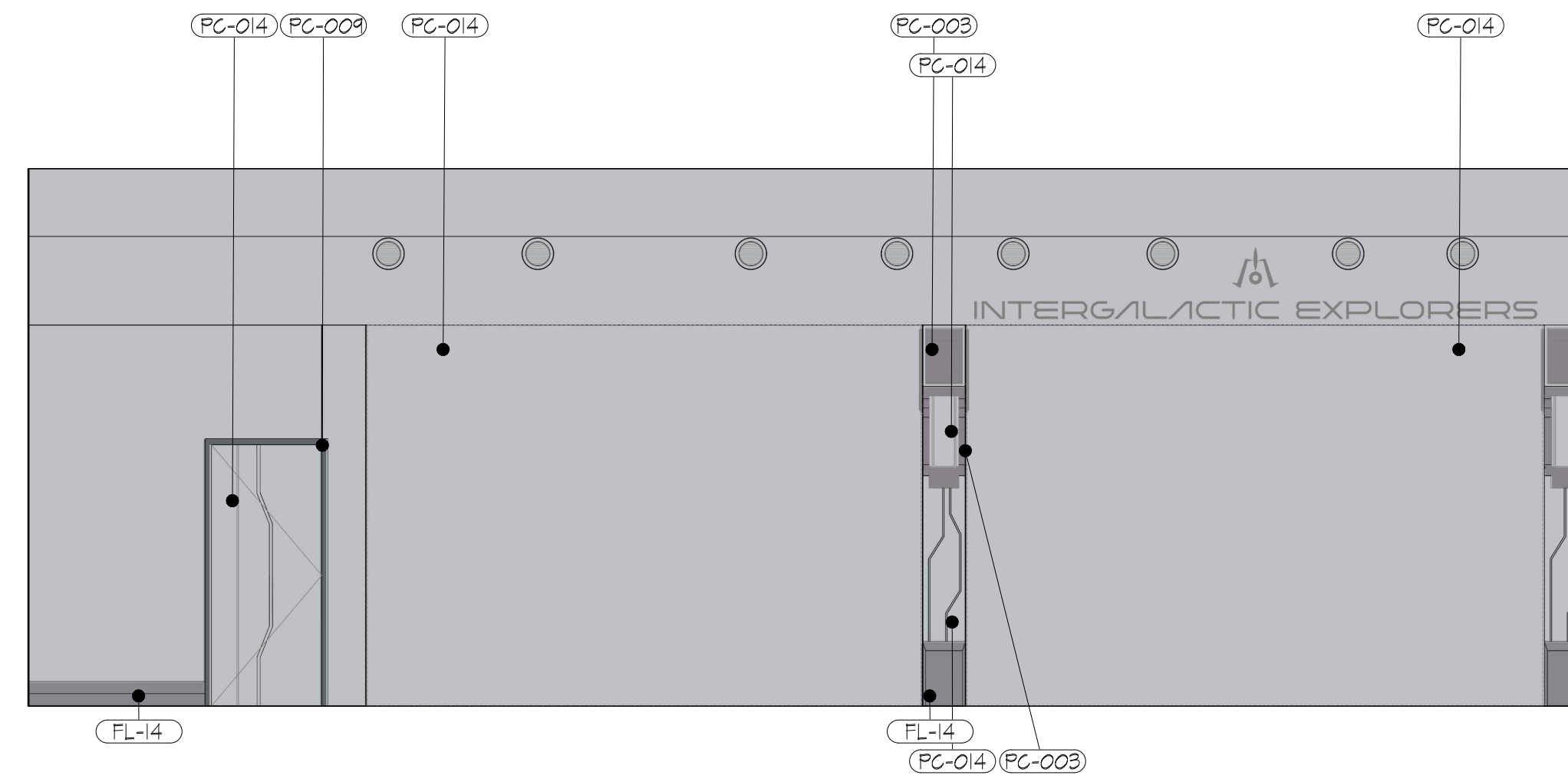
ELEVATION 6.1  
SCALE: 1/4" = 1'



ELEVATION 6.2  
SCALE: 1/4" = 1'



ELEVATION 6.3  
SCALE: 1/4" = 1'



ELEVATION 6.4  
SCALE: 1/4" = 1'

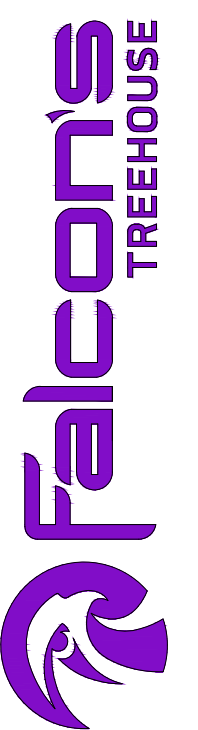
NOTES:

- (FC-003) - KYDEX PORCH 53239
- (FC-009) - SATO15 WEB GRAY
- (FC-011) - SATO19 NETWORK GRAY
- (FC-014) - SW6254 LAZY GRAY
- (FL-11) - FLORAL WHITE BASE TRIM
- (FL-14) - HIGH PRESSURE LAMINATE - MOUSE
- (MS-003) - APPLIED WALL GRAPHIC

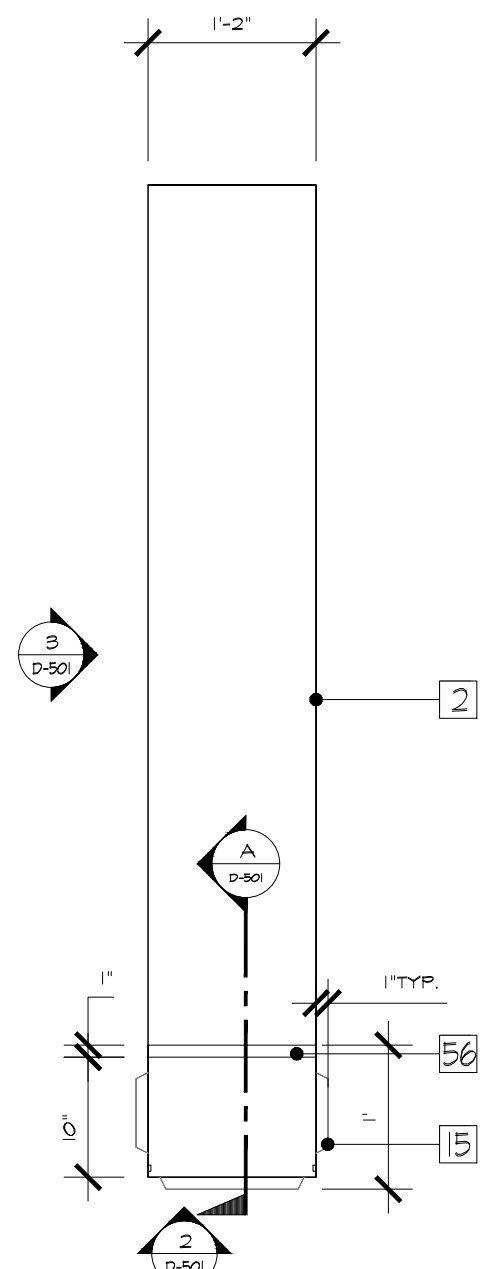
RUSSELL C. DAVIS  
PLANETARIUM

THIS DOCUMENT CONTAINS COPYRIGHT MATERIAL AND TRADE SECRET INFORMATION BELONGING TO FALCON'S TREEHOUSE AND ITS CLIENT AS NOTED ON PACKAGE. ANY UNAUTHORIZED USE, DISCLOSURE, DISSEMINATION OR PUBLICATION OF ANY OF THE INFORMATION CONTAINED HEREIN MAY RESULT IN LIABILITY UNDER APPLICABLE LAWS.

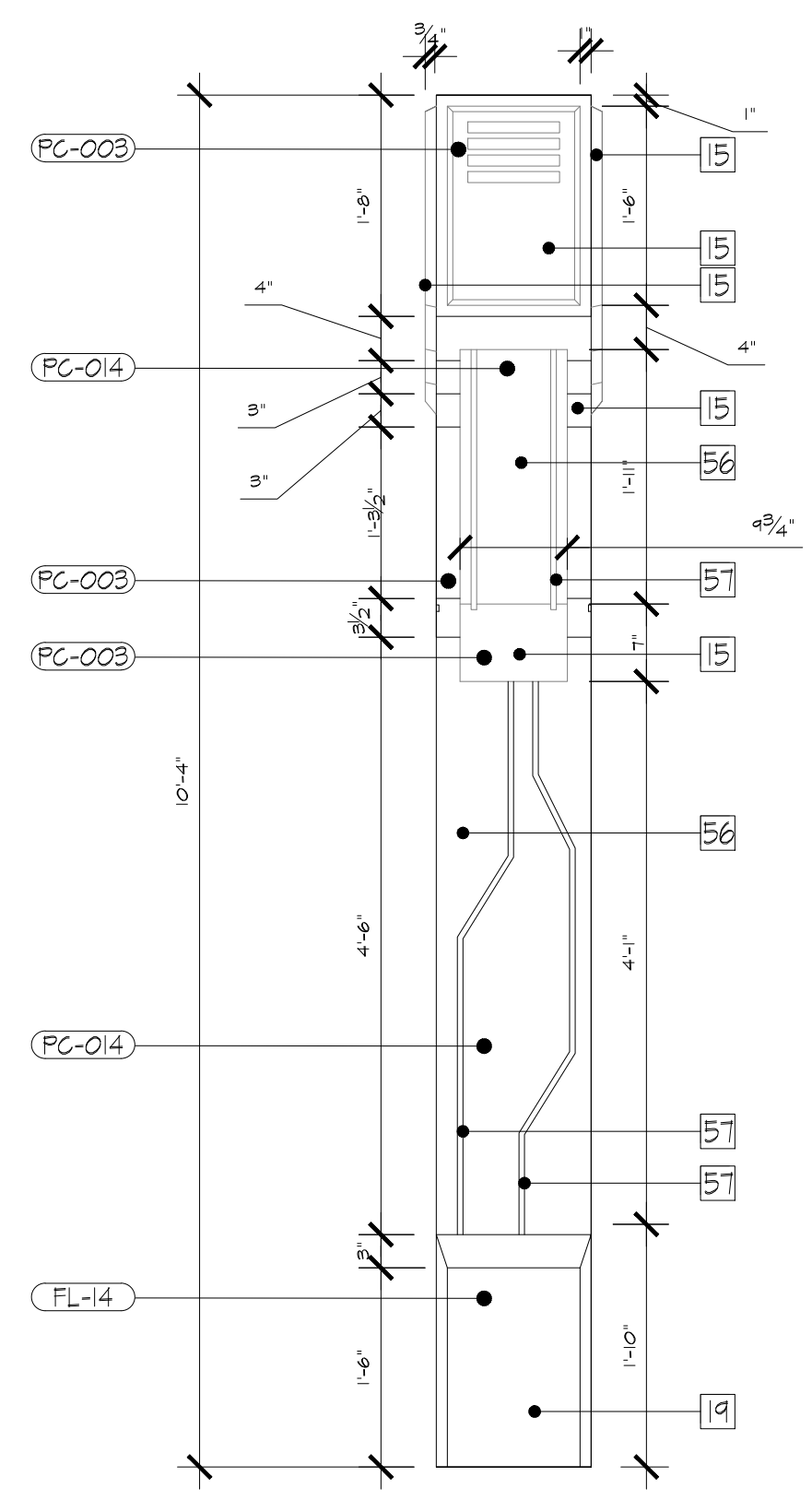
JACKSON PLANETARIUM	PHASE: 100% DESIGN DEVELOPMENT - EXHIBIT AREA
ZONE 6 COLORED ELEVATIONS	DRAWING TITLE:
SCALE: AS NOTED	DATE: 01-31-2025
DWG NO.: D2-303	



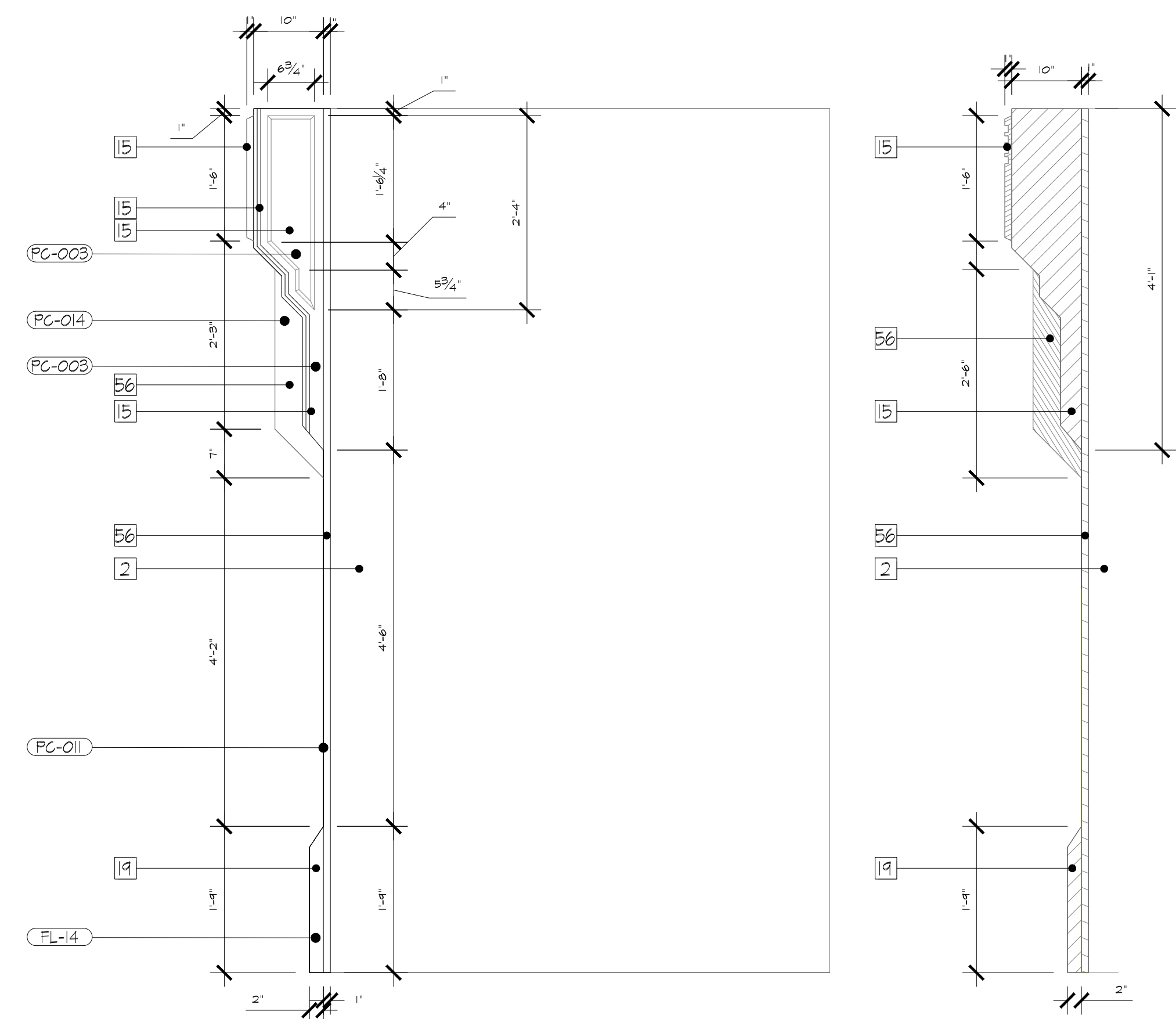




COLUMN CLADDING PLAN (1)  
SCALE: 3/4" = 1"  
D2-101 | D2-501

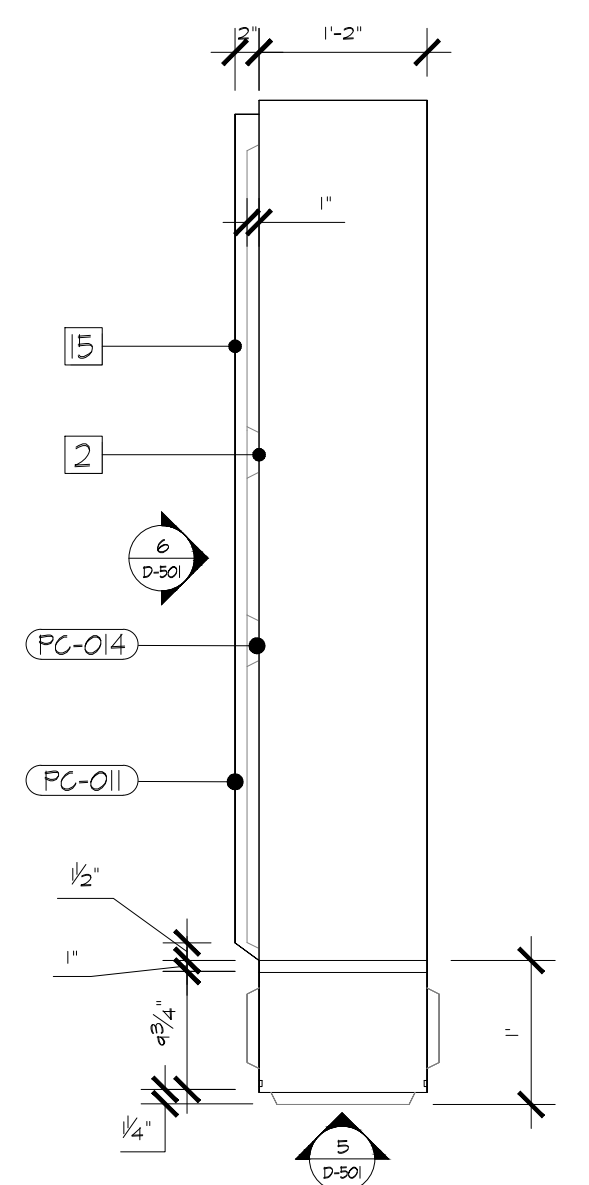


COLUMN CLADDING FRONT ELEV. (2)  
SCALE: 3/4" = 1"  
D2-501 | D2-501

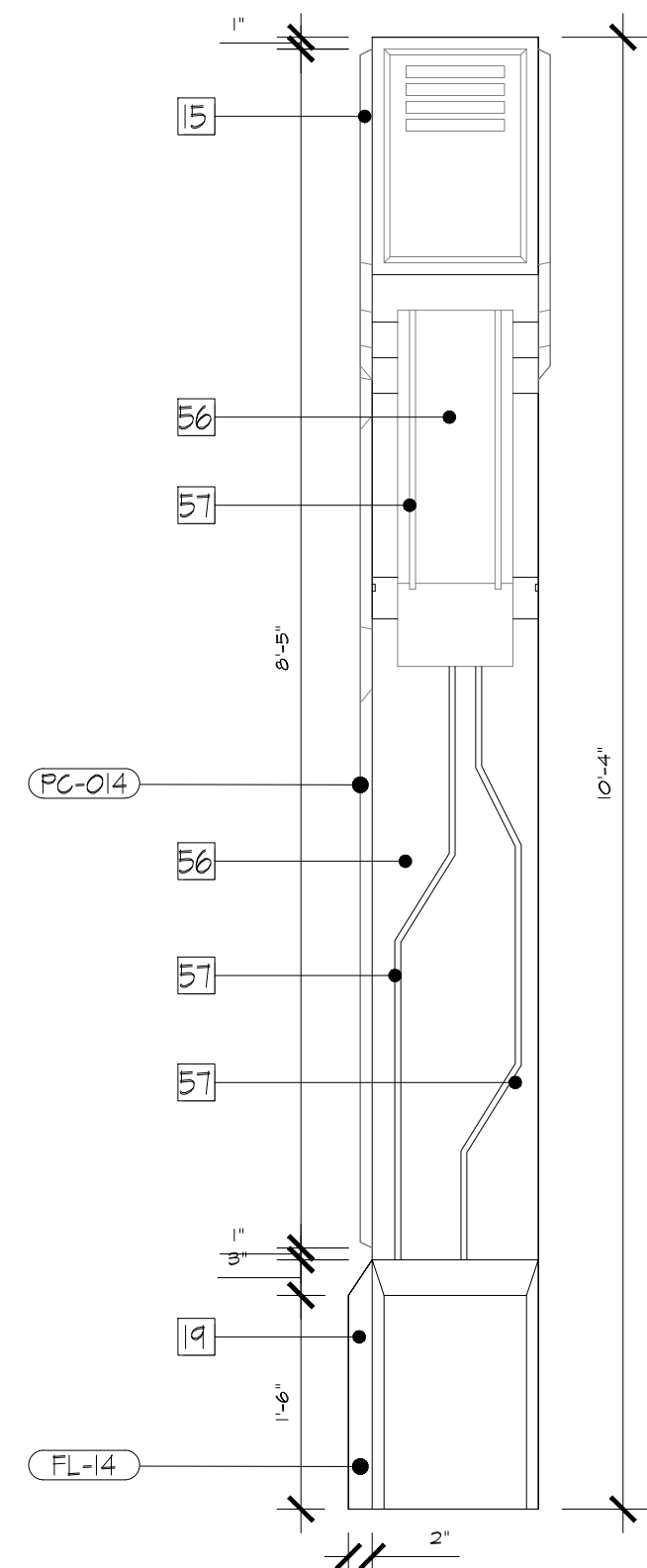


COLUMN CLADDING SIDE ELEV. (3)  
SCALE: 3/4" = 1"  
D2-501 | D2-501

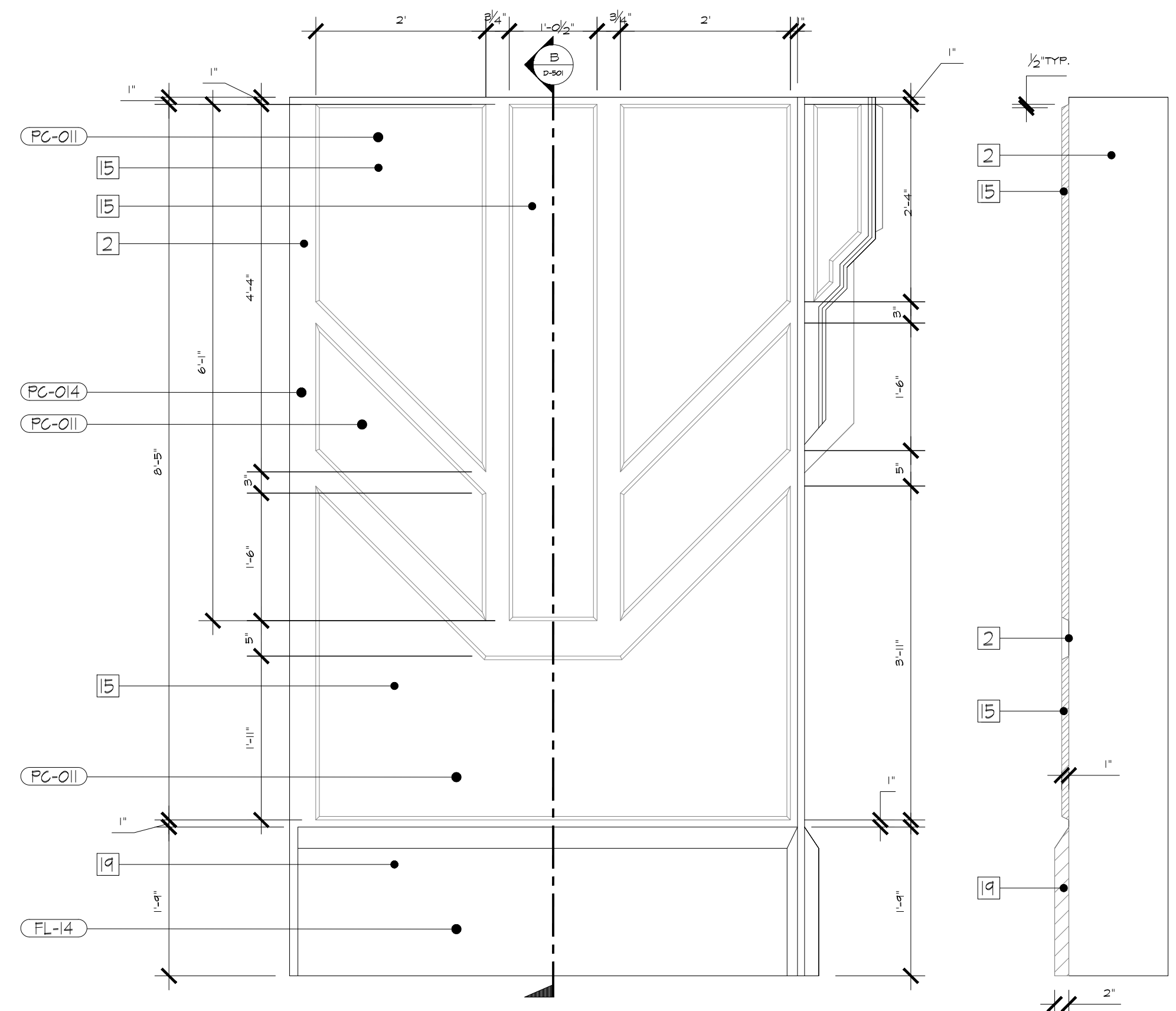
COLUMN CLADDING SEC. (A)  
SCALE: 3/4" = 1"  
D2-501 | D2-501



THEATER EXIT COLUMN PLAN (4)  
SCALE: 3/4" = 1"  
D2-101 | D2-501



THEATER EXIT COLUMN FRONT ELEV. (5)  
SCALE: 3/4" = 1"  
D2-501 | D2-501



THEATER EXIT COLUMN SIDE ELEV. (6)  
SCALE: 3/4" = 1"  
D2-501 | D2-501

THEATER EXIT COLUMN SIDE WALL SEC. (B)  
SCALE: 3/4" = 1"  
D2-501 | D2-501

NOTES:

- 2 - DRYWALL CONSTRUCTION IN LEVEL 4 FINISH WITH SCENIC SCUFF RESISTANT PAINT TREATMENT
- 5 - DIMENSIONAL SCENIC CLADDING IN LAYERED MDF CONSTRUCTION WITH THERMOFORMED KYDEX LAMINATE OR SIMILAR FINISH TREATMENT
- 9 - FLAT STOCK BASE BOARD FINISHED WITH HIGH PRESSURE LAMINATE. SCUFF RESISTANT PAINT ALLOWED AS AN ALTERNATIVE FINISH
- 50 - 1" THICK MDF PANEL WITH 1/2" CNC ROUTED DECORATIVE CHANNEL. PANEL TO BE TREATED WITH METALLIC PAINT FINISH
- 57 - 1/2" X 1/2" CNC ROUTED DECORATIVE CHANNEL.
- PC-003 - KYDEX 53233 PORCH
- PC-011 - SKY013 NETWORK GRAY
- PC-014 - SW6254 LAZY GRAY
- FL-14 - HIGH PRESSURE LAMINATE - MOUSE

RUSSELL C. DAVIS  
PLANETARIUM

THIS DOCUMENT CONTAINS COPYRIGHT MATERIAL AND TRADE SECRET INFORMATION BELONGING TO FALCON'S TREEHOUSE AND ITS CLIENT AS NOTED ON PACKAGE. ANY UNAUTHORIZED USE, DISCLOSURE, REPRODUCTION OR PUBLICATION OF ANY OF THE INFORMATION CONTAINED HEREIN MAY RESULT IN LIABILITY UNDER APPLICABLE LAWS.

JACKSON  
PLANETARIUM

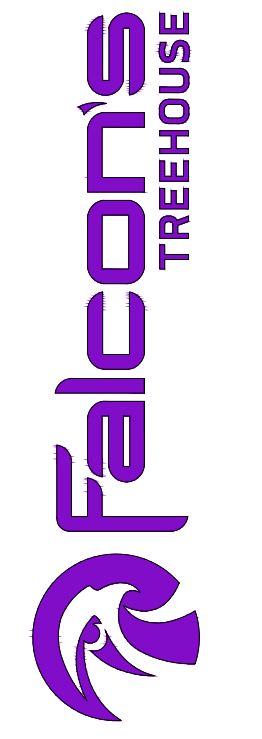
PHASE: 100% DESIGN DEVELOPMENT - EXHIBIT AREA

DETAILS  
COLUMN CLADDING

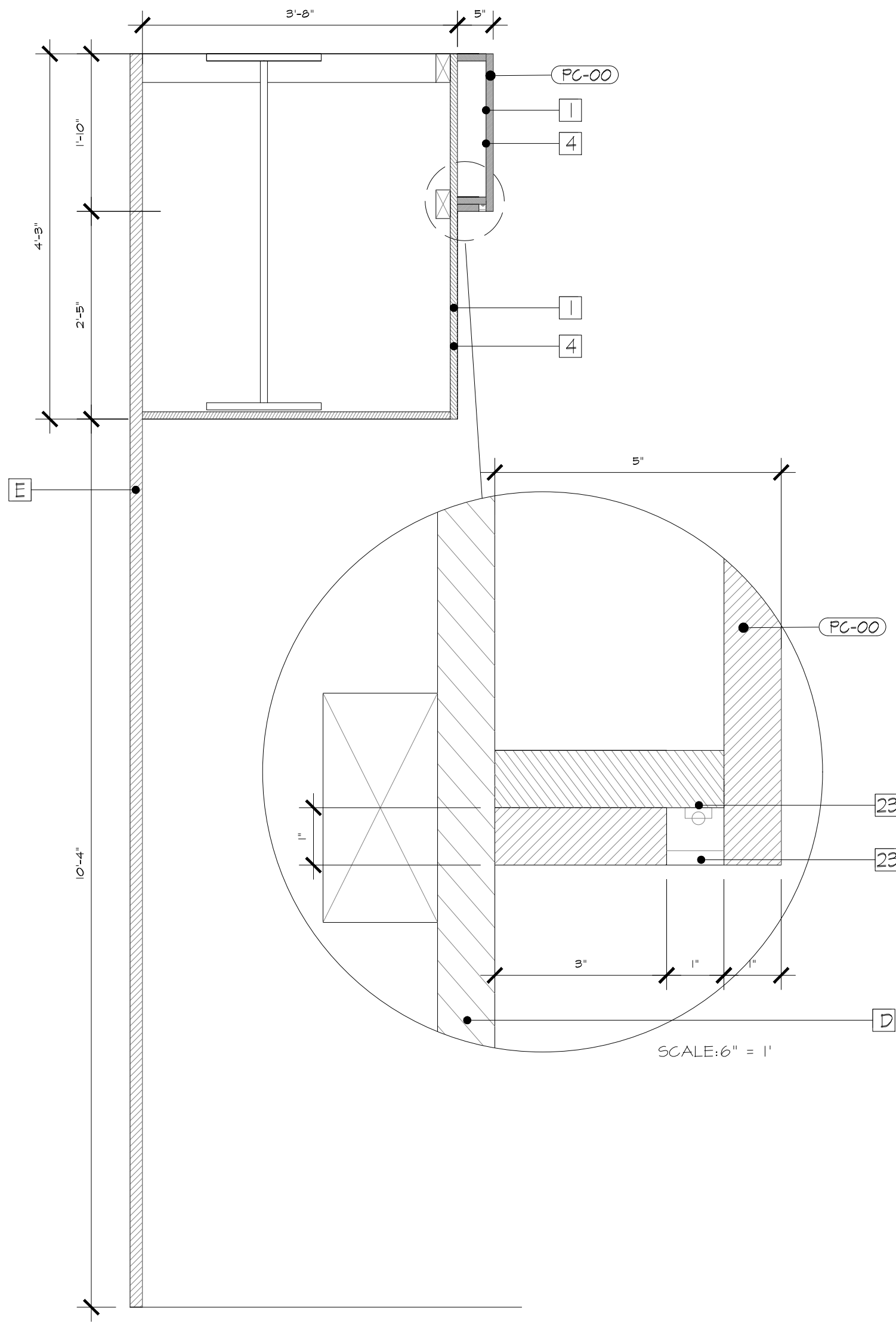
SCALE: AS NOTED

DATE: 01-31-2025

DWG NO.: D2-501







TRACE LIGHTING DETAIL  
SCALE: 3/4" = 1"

D2-151 D2-503

NOTES:

- 1 - DRYWALL CONSTRUCTION WITH LEVEL 4 FINISH AND SCENIC PAINT TREATMENT
- 4 - DRYWALL SOFFIT WITH LEVEL 3 FINISH AND SCENIC PAINT TREATMENT AND INTEGRATED LED LIGHTING
- 23 - RECESSED LED LIGHTING EFFECT WITH POLYCARBONATE DIFFUSER

RUSSELL C. DAVIS  
PLANETARIUM

THIS DOCUMENT CONTAINS COPYRIGHT MATERIAL AND TRADE SECRET INFORMATION BELONGING TO FALCON'S TREEHOUSE AND ITS CLIENT AS NOTED ON PACKAGE. ANY UNAUTHORIZED USE, DISCLOSURE, DISSEMINATION OR PUBLICATION OF ANY OF THE INFORMATION CONTAINED HEREIN MAY RESULT IN LIABILITY UNDER APPLICABLE LAWS.

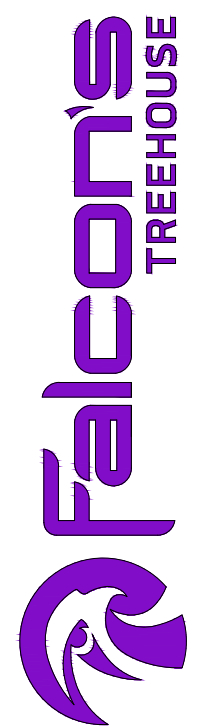
JACKSON  
PLANETARIUM

PHASE: 100% DESIGN DEVELOPMENT - EXHIBIT AREA  
DRAWING TITLE:

DETAILS  
TRACE LIGHTING DETAIL

SCALE: AS NOTED  
DATE: 01-31-2025

DWG NO.: D2-503





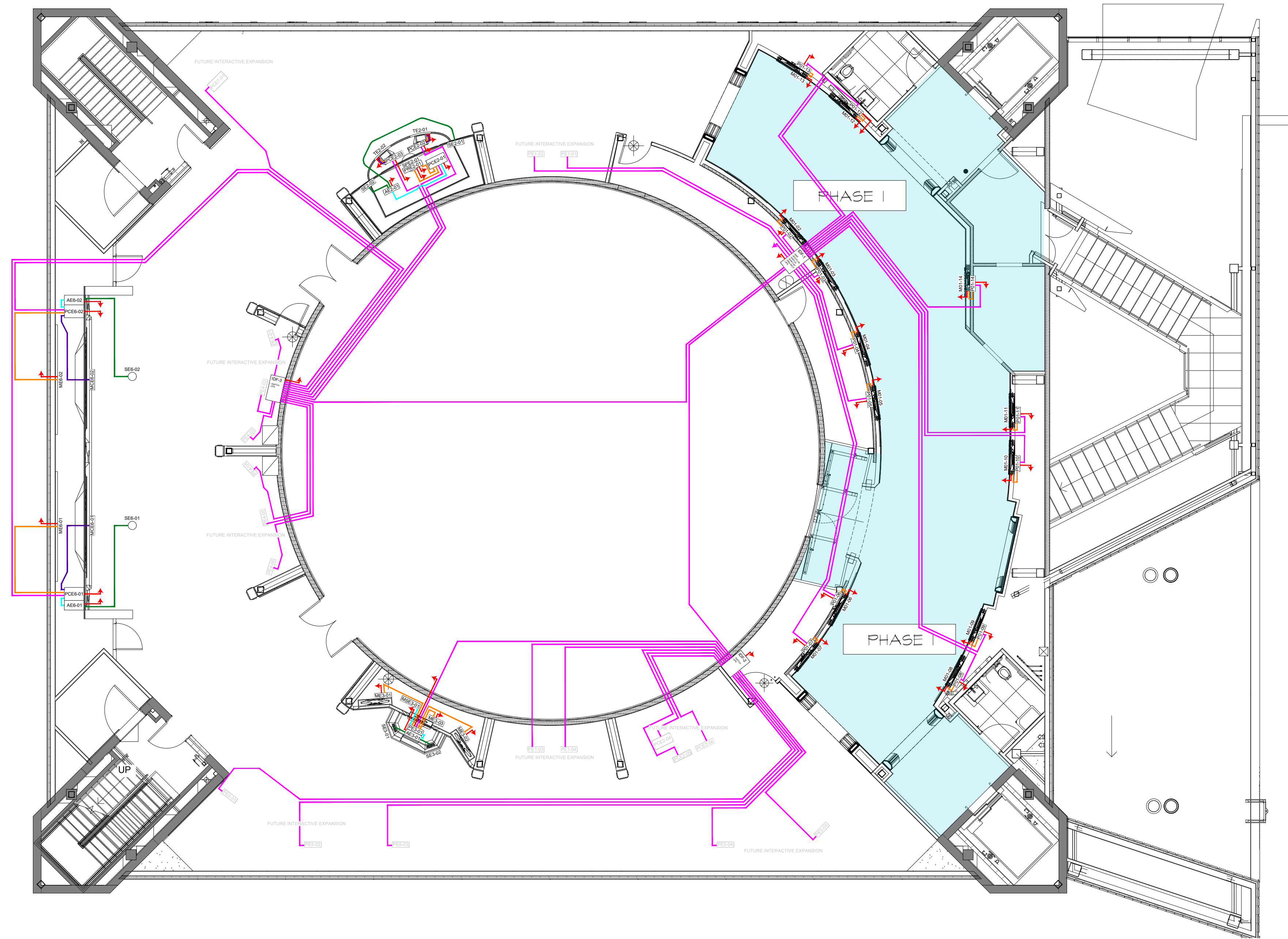


EXHIBIT AREA - OVERALL A/V PLAN  
SCALE: 1/8" = 1'

D2-510

**GENERAL NOTES**

- SEE D2-591 FOR CABLE ROUTING INFORMATION
- WHILE THIS DIAGRAM CONSTITUTES THE COMPLETE PRELIMINARY A/V LINE DIAGRAM, PLEASE REFER TO INDIVIDUAL DOCUMENT SETS FOR ENLARGED VIEWS OF RELEVANT INTERACTIVES OR DETAILS
- DATA RUNS ARE INTENDED TO BE WALL-MOUNTED. CONNECTED COMPONENT LABELS ARE SHOWN FOR CLARITY.
- AREAS OF FUTURE EXPANSION ARE SHOWN FOR REFERENCE.

RUSSELL C. DAVIS  
PLANETARIUM

THIS DOCUMENT CONTAINS COPYRIGHT MATERIAL AND TRADE SECRET INFORMATION BELONGING TO FALCON'S TREEHOUSE AND ITS CLIENT AS NOTED ON PACKAGE. ANY UNAUTHORIZED USE, DISCLOSURE, DISSEMINATION OR PUBLICATION OF ANY OF THE INFORMATION CONTAINED HEREIN MAY RESULT IN LIABILITY UNDER APPLICABLE LAWS.

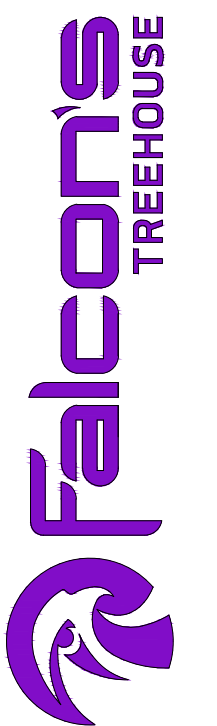
JACKSON  
PLANETARIUM

PHASE I - 100% DESIGN DEVELOPMENT - EXHIBIT AREA  
DRAWING TITLE  
EXHIBIT AREA  
OVERALL A/V PLAN

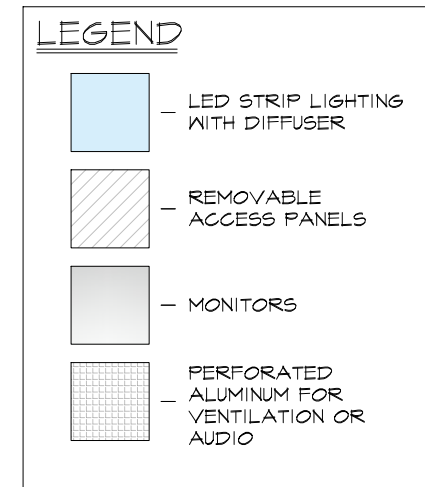
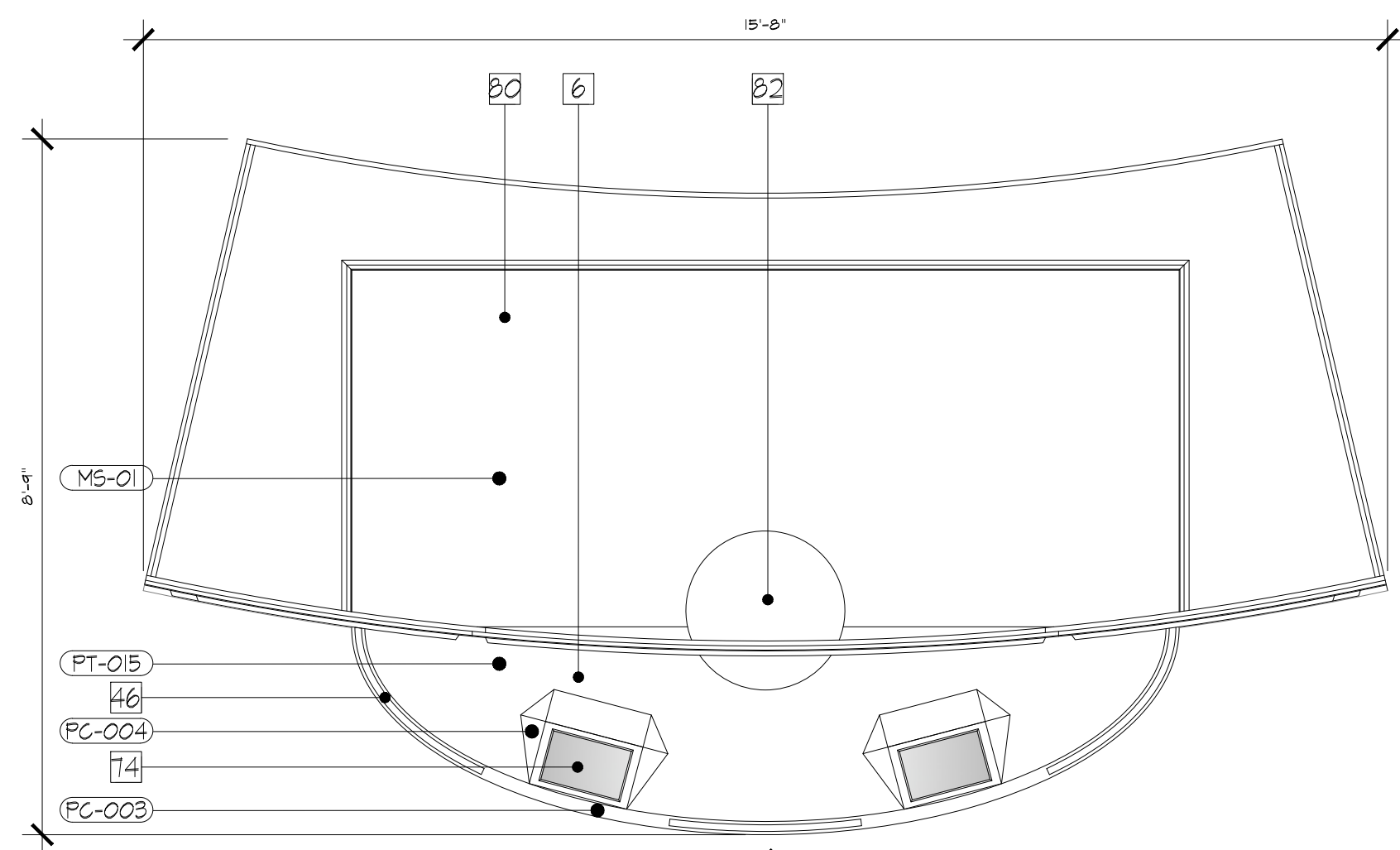
SCALE: AS NOTED

DATE: 01-31-2025

DWG NO.: D2-510



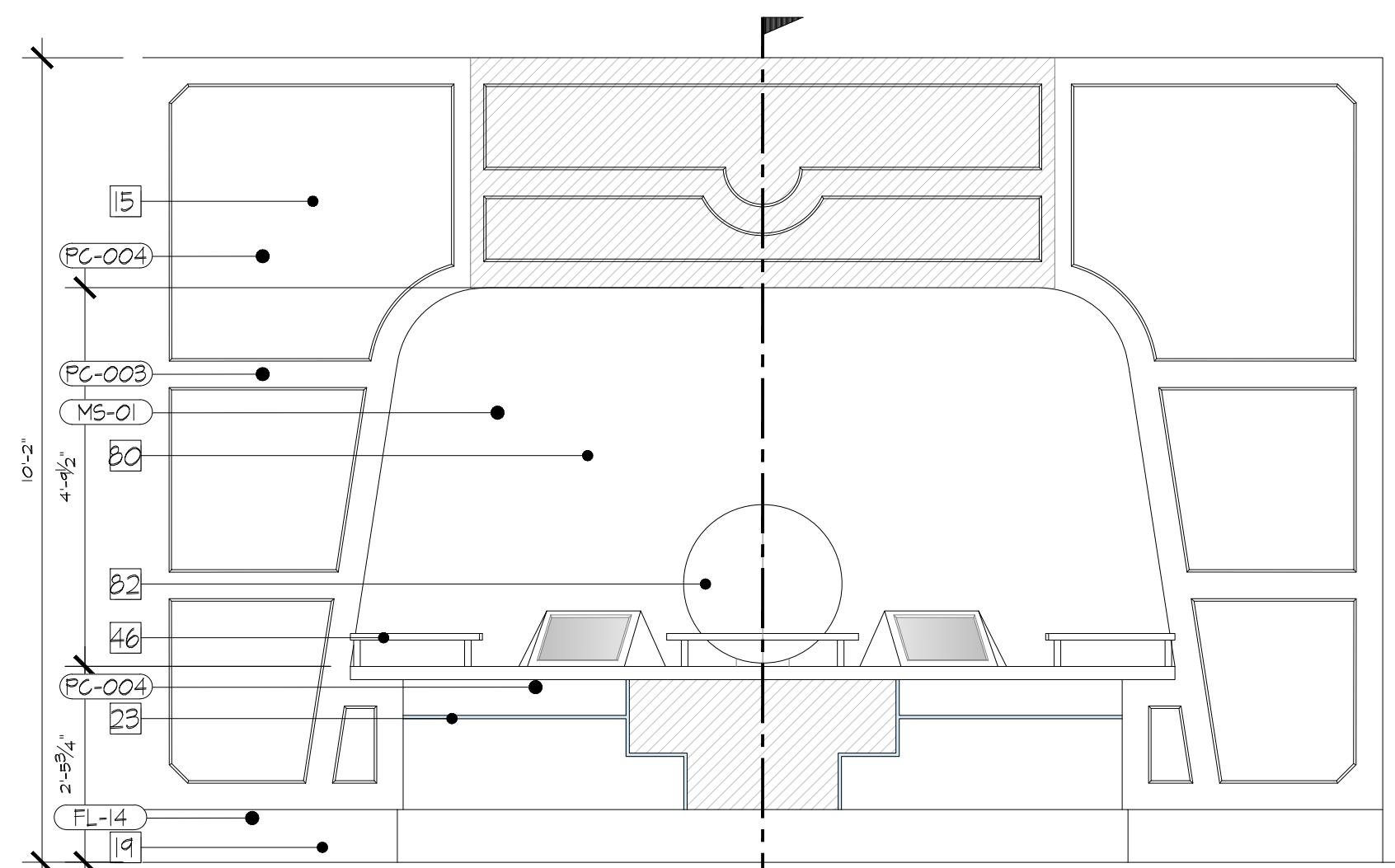




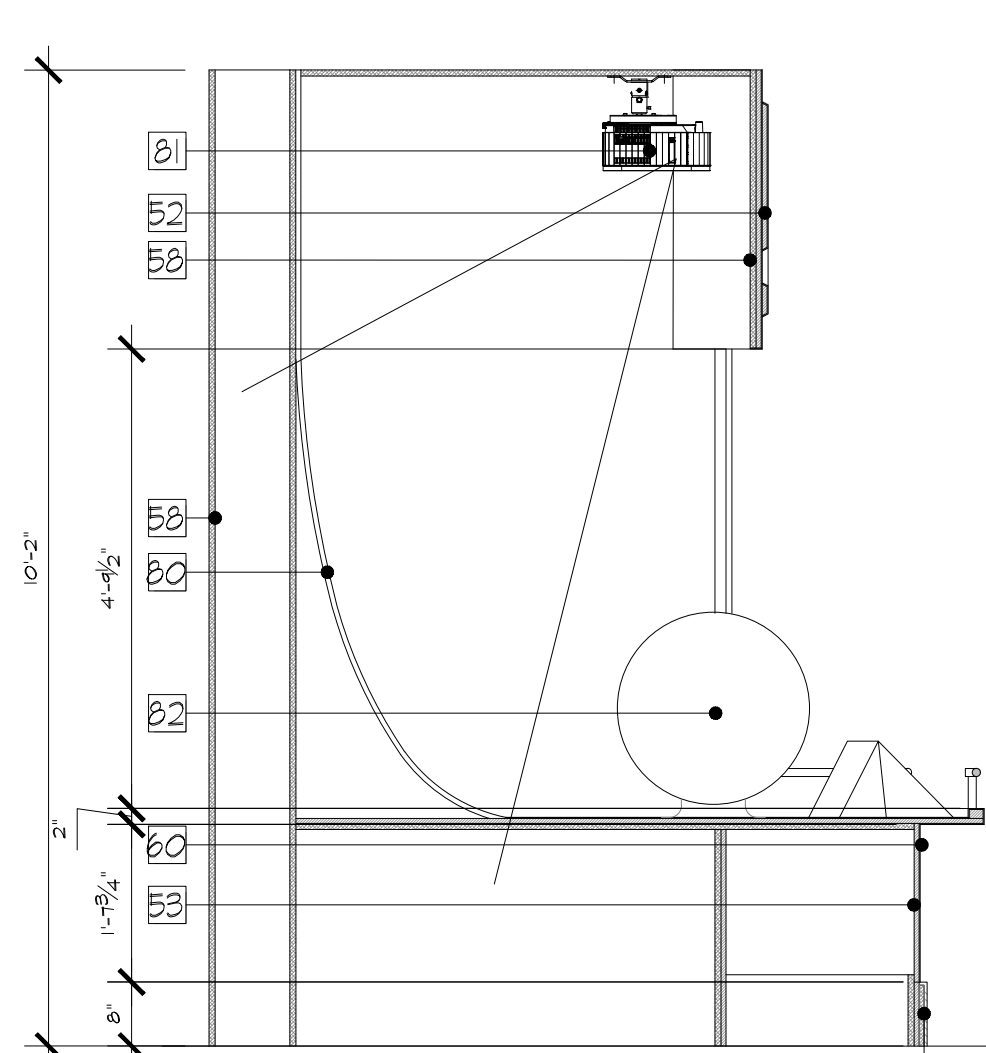
EO2 - PLAN  
SCALE: 1/2" = 1'



EO2 - REFERENCE IMAGERY  
SCALE: N.T.S.



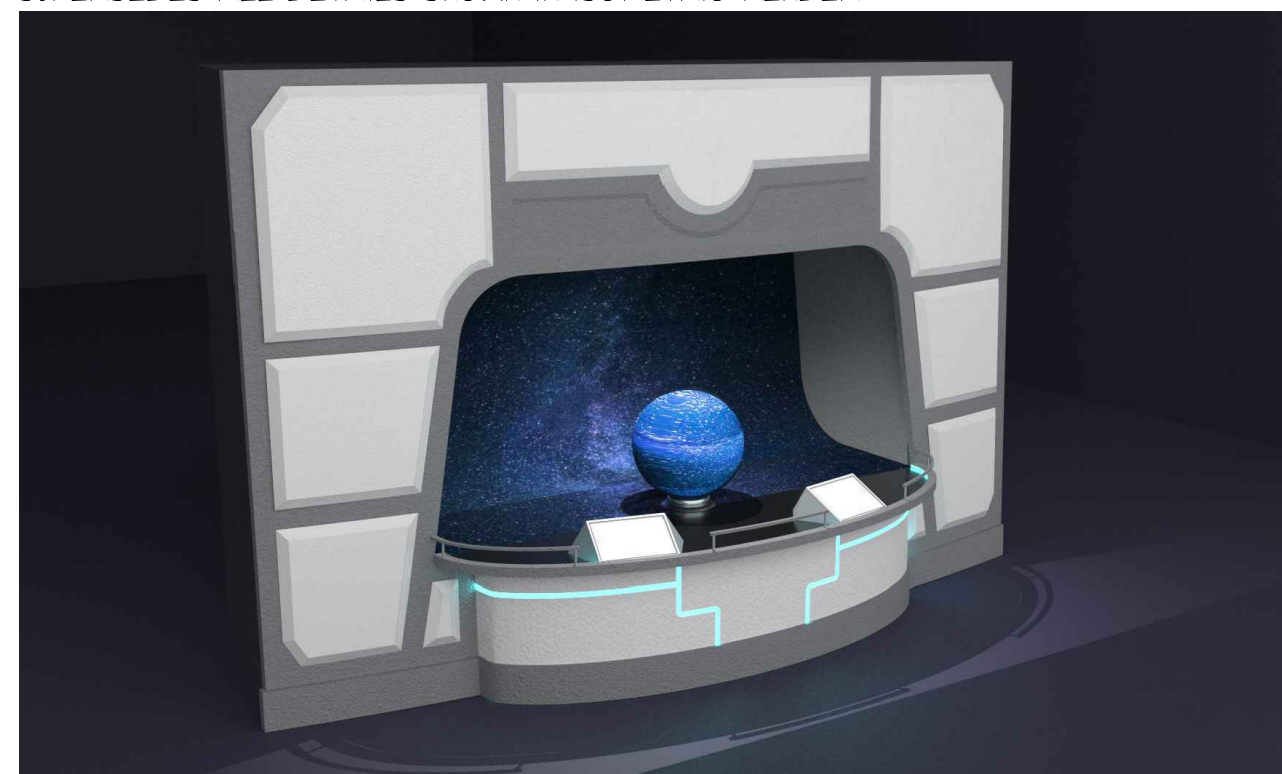
EO2 - ELEVATION  
SCALE: 1/2" = 1'



EO2 - SECTION  
SCALE: 1/2" = 1'

GENERAL NOTE:

ALL ISOMETRIC RENDER IMAGES INCLUDED ARE INCLUDED FOR CREATIVE AND MASSING INTENT ONLY. TECHNICAL DRAWINGS AND INFORMATION SUPPLIED WITHIN THIS PACKAGE SUPERSEDES ALL DETAILS SHOWN IN ISOMETRIC RENDER.



EO2 - ISO VIEW  
SCALE: N.T.S.

NOTES:

- 6 - DIMENSIONAL SCENIC CLADDING IN LAYERED MDF CONSTRUCTION WITH SCENIC PAINT TREATMENT
- 5 - DIMENSIONAL SCENIC CLADDING CONSTRUCTED OF MDF WITH THERMOFORMED KYDEX LAMINATE OR SIMILAR FINISH TREATMENT
- 19 - FLAT STOCK BASE BOARD FINISHED WITH HIGH PRESSURE LAMINATE. SCUFF RESISTANT PAINT AS AN ALTERNATIVE FINISH.
- 23 - RECESSED LED LIGHTING EFFECT WITH POLYCARBONATE DIFFUSER
- 46 - 1" DIAMETER ALUMINUM RAILING
- 52 - 3/4" MDF PANELS WITH BEVELED EDGES
- 53 - 3/4" MDF PANELS WITH CNC ROUTED CHANNELS FOR RECESSED LIGHTING
- 58 - 3/4" PLYWOOD BACKING
- 60 - RECESSED ALLEN HEAD SOCKET CAP BOLTS - RETAINERS/RECEIVERS TO BE BUILT INTO CABINET FRAMEWORK TO ALLOW FOR EASE OF INSTALL.
- 74 - 15" TOUCHSCREEN MONITOR (BEETRONICS 15T5TM) RECESSED IN MDF CLADDING WITH THERMOFORMED KYDEX LAMINATE OR SIMILAR FINISH TREATMENT
- 80 - SCULPTED DRYWALL CYCLOPAMA SCREEN WITH LEVEL 5 FINISH AND MAX CONTRAST SCREEN 600 TREATMENT
- 81 - ULTRA SHORT THROW PROJECTOR
- 82 - 2" DIAMETER DIGITAL MEDIA SPHERE - PURCHASED AND MODIFIED
- PC-003 - KYDEX - PORCH 53235
- PC-004 - KYDEX - RAILING 53235
- PC-015 - METALLIC PAINT STANNIC MTL102
- FL-14 - HIGH PRESSURE LAMINATE - MOUSE
- MS-01 - SCREEN 600 2.0 - MAX CONTRAST

RUSSELL C. DAVIS  
PLANETARIUM

THIS DOCUMENT CONTAINS COPYRIGHT MATERIAL AND TRADE SECRET INFORMATION BELONGING TO FALCON'S TREEHOUSE AND ITS CLIENT AS NOTED ON PACKAGE. ANY UNAUTHORIZED USE, DISCLOSURE, DISSEMINATION OR PUBLICATION OF ANY OF THE INFORMATION CONTAINED HEREIN MAY RESULT IN LIABILITY UNDER APPLICABLE LAWS.

JACKSON PLANETARIUM	PHASE: 100% DESIGN DEVELOPMENT - EXHIBIT AREA
EXHIBIT INTERACTIVES EO2 - PROJECTED DISPLAY	DATE: 01-31-2025
SCALE: AS NOTED	DWG NO.: D2-521

INTERGALACTIC EXPLORERS - CREATIVE NARRATIVE:

AT THE SPACE OBSERVATORY'S VIRTUAL TRAVEL PORT, UP TO TWO GUESTS ARE INSTANTLY TRANSPORTED TO THE LUNAR OR MARTIAN DESTINATION OF THEIR CHOOSING. SPACE EXPLORERS DISCOVER THE SURFACE OF EARTH'S SATELLITE, THE RED PLANET, OR BOTH, ON A SCALE THAT MAKES THEM FEEL LIKE THEY'RE THERE.

TECHNICAL NARRATIVE:

THIS INTERACTIVE CONSISTS OF A PROJECTION SPHERE AND CURVED PROJECTION SCREEN WHICH ARE CONTROLLED VIA TOUCHSCREENS. THESE ELEMENTS WORK IN TANDEM TO ALLOW GUESTS TO EXPLORE DISTINCT LOCATIONS ON THE SURFACES OF THE MOON AND MARS.

TWO 15" LANDSCAPE-ORIENTED TOUCHSCREEN MONITORS (15T5TM OR SIMILAR) ARE INTEGRATED INTO THE FRONT EDGE OF THE INTERACTIVE BASE AND ARE ACCESSIBLE FOR MAINTENANCE PURPOSES VIA REMOVABLE SCENIC FACEPLATES. BOTH MONITORS ARE DRIVEN BY INDIVIDUAL PCs (NUC NUC11ATK4 OR SIMILAR) WHICH ARE INTERCONNECTED VIA CAT6 TO LINK THE OPERATION AND FUNCTIONALITY OF THESE UNITS.

A 24" DIGITAL PROJECTION SPHERE (DS-24-P2.5) IS MOUNTED IN THE CENTER OF THE INTERACTIVE PLATFORM AND IS AN OFF-THE-SHELF PRODUCT WITH A DISCRETE INTEGRATED VIDEO PROCESSOR. AT THE REAR OF THE INTERACTIVE IS A LARGE, CURVED, SCULPTED DRYWALL PROJECTION SURFACE (LEVEL 5 FINISH REQUIRED) WITH AN APPLIED SCREEN 600 TREATMENT (SCREEN 600 2.0 - MAX CONTRAST). A PROJECTOR (EPSON EB-810E OR SIMILAR) MOUNTED WITHIN THE SCENIC HEADER ABOVE THE SPHERE AND HIDDEN FROM GUEST SIGHT (SEE SECTION A ON D2-521) SUPPLIES THE MEDIA CONTENT ON THE SCREEN. BOTH THE PROJECTOR AND PROJECTION SPHERE ARE DRIVEN BY A DEDICATED PC (NUC NUC12DCM170002) WITH A DISCRETE GPU (RTX 3060TI OR GREATER) TO ALLOW FOR EFFECTIVE PLAYBACK AND SMOOTH GUEST INTERACTION. THIS PC IS, IN TURN, CONNECTED TO THE OTHER PCs WITHIN THIS INTERACTIVE BY WAY OF CAT6 TO ALLOW FOR GUEST SELECTION OF LOCATION, SHOW START, SHOW STATUS, AND OTHER CRITICAL INFORMATION TO BE SHARED BETWEEN THE LOCAL PC SYSTEMS. THIS PC ACTS AS A FOLLOWER, AWAITING A START SIGNAL FROM THE PCs CONNECTED TO THE TOUCHSCREENS.

WHEN NOT ENGAGED IN AN INTERACTIVE SEQUENCE, THE PROJECTOR PLAYS LOOPING MEDIA OF AMBIENT SPACE, WHILE THE PROJECTION SPHERE SHOWS THE ENTIRE SURFACE OF EITHER THE MOON OR MARS (DEPENDING ON LOCATION), ROTATING SLOWLY WITH STATIC PIN MARKERS ACROSS THE SURFACE, CORRELATING TO THE DESTINATION OPTIONS SELECTABLE BY GUESTS. UPON APPROACH, THE TOUCHSCREEN MONITOR CONTENT IS MIRRORRED, SHOWING VARIOUS KEY POINTS OF INTEREST FOR GUESTS TO CHOOSE FROM. WHEN A DESTINATION IS SELECTED, THE MONITOR CONTENT SHIFTS TO SHOW FACTS, INFOGRAPHICS, AND DATA PERTAINING TO THE SELECTED DESTINATION. THE SELECTION OF ANOTHER DESTINATION CANNOT BE MADE UNTIL THE MEDIA CYCLE IS COMPLETED. THE PCs CONNECTED TO THE TOUCHSCREENS SUPPLY A SHOW START TRIGGER TO THE PC DRIVING THE SPHERE AND PROJECTOR TO BEGIN THE MEDIA SEQUENCE FOR THAT CHOSEN LOCATION. THE DIGITAL SPHERE ROTATES TO CENTER AND HIGHLIGHT THE PINPOINTED LOCATION ON THE PLANETARY BODY. AS THE GLOBE ZOOMS INTO THE PINPOINT, THE PROJECTION SURFACE BEHIND SWEEPS INTO AN EXPANDED, FIRST-PERSON VIEW OF THE DESTINATION ON THE PLANETARY SURFACE. UPON COMPLETION OF THE SEQUENCE, THE REAR-WALL PROJECTION AND PROJECTION SPHERE FADE BACK TO THEIR AMBIENT STATE AND THE TOUCHSCREENS REVERT TO THE SCENE SELECTION MENU, ALLOWING FOR GUESTS TO MAKE ANOTHER SELECTION.

ACCOMPANYING SOUND EFFECTS OR NARRATION WILL BE PLAYED VIA A PAIR OF POINT SOURCE SPEAKERS (AD-S47) CONNECTED TO A LOCAL AMPLIFIER (GSA 1120Z OR SIMILAR) WHICH IS IN TURN CONNECTED TO THE PROJECTION PC BY WAY OF 1/8" MALE TO MALE AUDIO CABLE. THE SPEAKER IS MOUNTED WITHIN THE LOWER CABINETS, BEHIND A PERFORATED OPENING.

ALL PCs, LOCAL AMPLIFIER, AND SPEAKERS ARE ACCESSIBLE VIA A REMOVABLE PANEL INTEGRATED INTO THE FRONT FACE OF THE CABINET. IT IS IMPERATIVE THAT PROPER COOLING TO THE CABINET INTERNALS IS MAINTAINED DUE TO THE HIGH HEATLOAD GENERATED BY THIS INTERACTIVE. IT IS RECOMMENDED THAT TWO OR MORE ACTIVE FANS (NOCTUA NF-F12 5V OR SIMILAR) ARE INTEGRATED INTO THE CABINET BASE. THESE ARE CONNECTED TO A PC VIA A USB DRIVEN PWM FAN HEADER OR DIRECTLY TO THE PC'S INTERNAL FAN HEADERS. IF DIFFERENT FANS ARE SELECTED, IT IS IMPERATIVE THAT SILENT OR NEAR-SILENT FANS ARE SELECTED. FANS SHOULD BE ORIENTED SUCH THAT BOTH THE INTAKE AND EXHAUST NEEDS OF THE CABINET ARE CONSIDERED.

START OF DAY/END OF DAY CONTROL: GAMING PC WILL BE PROGRAMMED TO RUN DURING MUSEUM OPENING HOURS AND SHUT DOWN/HIBERNATE DURING OFF-HOURS.

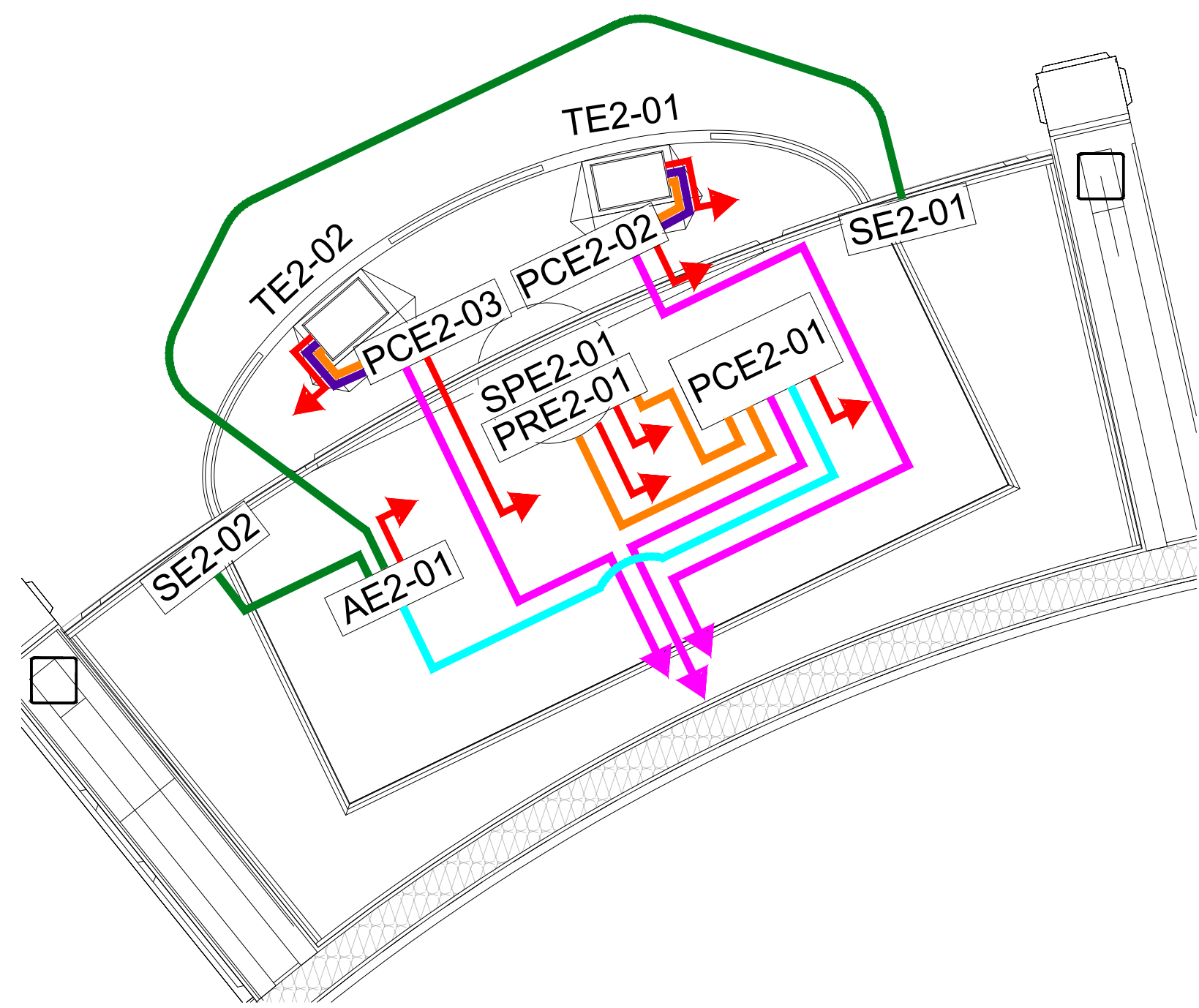
EO2 - NARRATIVE DESCRIPTIONS

SCALE: N.T.S.

4  
D2-521

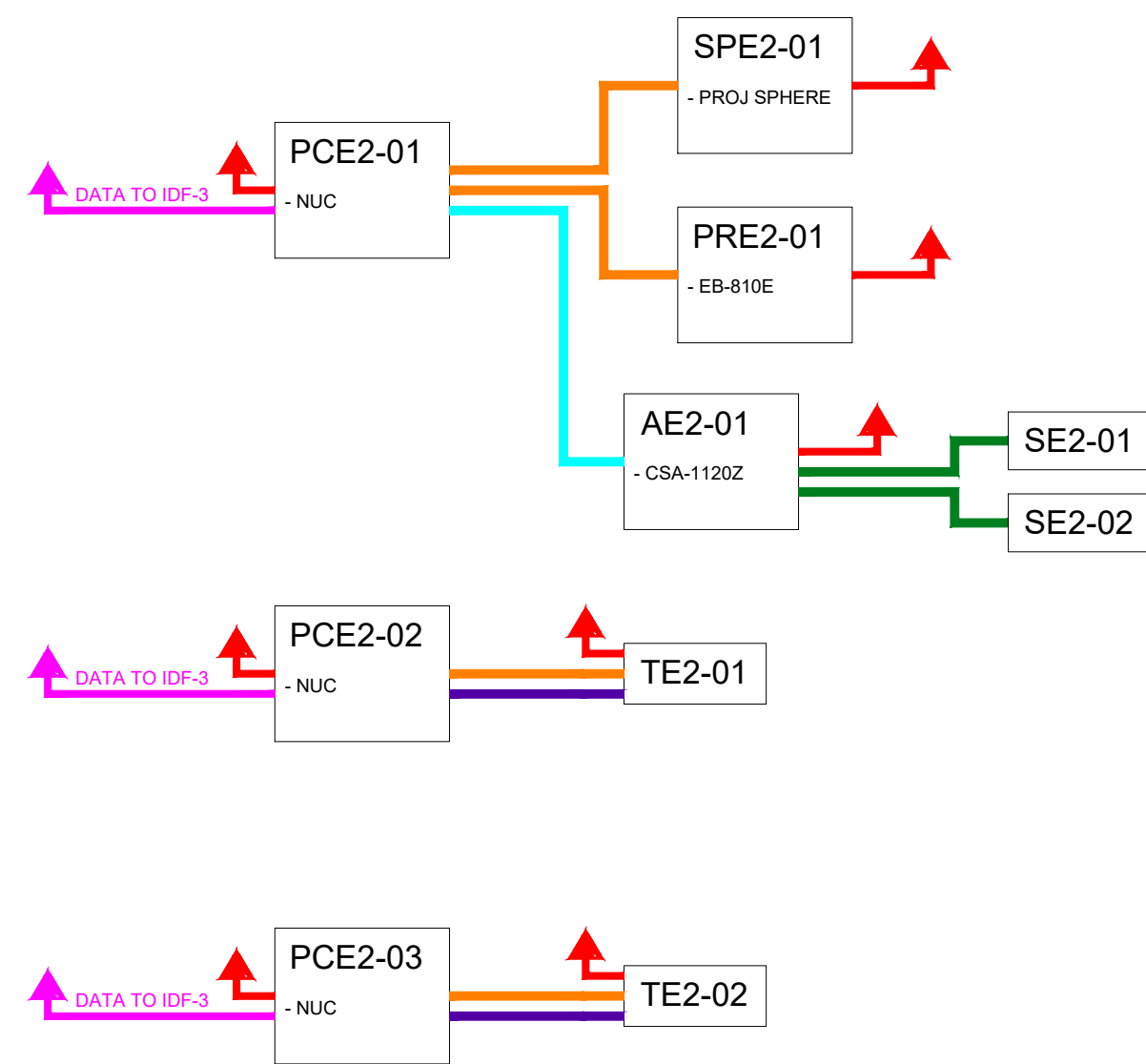






E02 - ENLARGED PLAN I - LINE DIAGRAM  
SCALE: 1/2" = 1'

2  
D2-522



E02 - PRELIMINARY INTERCONNECT I  
SCALE: N.T.S.

2  
D2-522

Tag	Item	Manufacturer	Part No.	QTY
PRE2-##	Projector	Epson	EB-810E	1
TE2-##	Monitor - Touchscreen - 15"	Beetronics	15TS7M	2
SPE2-##	Media Sphere	Screen Solutions, Int.	DS-24-P2.5	1
PCE2-##	NUC - PC	Intel	NUC11ATKC4	2
-	GPU	Zotac	RTX3060ti	1
SE2-##	Speaker	Q-SYS	AD-S4T	2
AE2-##	Amplifier	JBL	CSA 1120Z	1
-	HDMI Cable (6ft)	PowerBear	2 m-4K-1 paquet	3
-	HDMI - 20ft	PowerBear	6 m-4K-1 paquet	1
-	Mount - Touchscreen	XINLEI	MA1330	3
-	Mount - Projector	Epson	ELPMB75	1

E02 - PRELIMINARY BOM  
SCALE: N.T.S.

3  
D2-522

GENERAL CONSIDERATIONS:

- CONDUIT RUNS
- DATA AND VAC MUST BE RUN IN SEPARATE CONDUITS
  - SIZE CONDUIT BASED ON NUMBER OF INTERNAL WIRE RUNS
- ENVIRONMENTAL CONSIDERATIONS
- ENSURE PROPER GROUNDING OFF ALL ELECTRICAL COMPONENTS TO AVOID ELECTROCUTION AND/OR DAMAGE TO EQUIPMENT

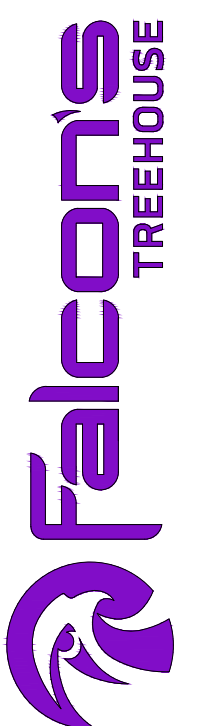
RUSSELL C. DAVIS  
PLANETARIUM

THIS DOCUMENT CONTAINS COPYRIGHT MATERIAL AND TRADE SECRET INFORMATION BELONGING TO FALCONS TREEHOUSE AND ITS CLIENT AS NOTED ON PACKAGE. ANY UNAUTHORIZED USE, DISCLOSURE, DISSEMINATION OR PUBLICATION OF ANY OF THE INFORMATION CONTAINED HEREIN MAY RESULT IN LIABILITY UNDER APPLICABLE LAWS.

JACKSON  
PLANETARIUM

PHASE: 100% DESIGN DEVELOPMENT - EXHIBIT AREA  
DRAWING TITLE: EXHIBIT INTERACTIVES  
E02 - PROJECTED DISPLAY

SCALE: AS NOTED  
DATE: 01-31-2025  
DWG NO.: D2-522



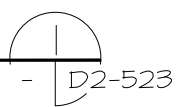
GENERAL NOTES

- ALL WIRING TYPES CORRESPOND IN COLOR TO PRELIMINARY INTERCONNECT LINES



Item	Part No.	ID	Location	Connection	Wattage	Type
Projector	EB-810E	PRE2-01	E02-01	FAC Power	400	110VAC - 12/3
			E02-01	PCE2-01	-	HDMI
Media Sphere	DS-24-P2.5	SPE2-01	E02-01	FAC Power	1000	110VAC - 12/3
			E02-01	PCE2-01	-	HDMI
Touchscreen	15TS7M	TE2-01	E02-01	FAC Power	8	110VAC - 12/3
			E02-01	PCE2-02	-	HDMI
			E02-01	PCE2-02	-	USB
Touchscreen	15TS7M	TE2-02	E02-01	FAC Power	8	110VAC - 12/3
			E02-01	PCE2-03	-	HDMI
			E02-01	PCE2-03	-	USB
NUC	NUC12DCMI70002	PCE2-01	E02-01	FAC Power	600	110VAC - 12/3
			E02-01	PRE2-01	-	HDMI
			E02-01	SPE2-01	-	HDMI
			E02-01	AE2-01	-	AUX
			IDF-3	SW3-01	-	CAT6
NUC	NUC11ATKC4	PCE2-02	E02-01	FAC Power	90	110VAC - 12/3
			E02-01	TE2-01	-	HDMI
			E02-01	TE2-01	-	USB
			IDF-3	SW3-01	-	CAT6
NUC	NUC11ATKC4	PCE2-03	E02-01	FAC Power	90	110VAC - 12/3
			E02-01	TE2-02	-	HDMI
			E02-01	TE2-02	-	USB
			IDF-3	SW3-01	-	CAT6
Amplifier	CSA-1120Z	AE2-01	E02-01	FAC Power	120	110VAC - 12/3
			E02-01	PCE2-01	-	AUX
			E02-01	SE2-01	50	SPK - 16/2
			E02-01	SE2-02	50	SPK - 16/2
Speaker	AD-S4T	SE2-01	E02-01	AE2-01	50	SPK - 16/2
Speaker	AD-S4T	SE2-02	E02-01	AE2-01	50	SPK - 16/2

E02 - WIRING CHART  
SCALE: N.T.S.



GENERAL NOTES

- ALL WIRING TYPES CORRESPOND IN COLOR TO PRELIMINARY INTERCONNECT LINES

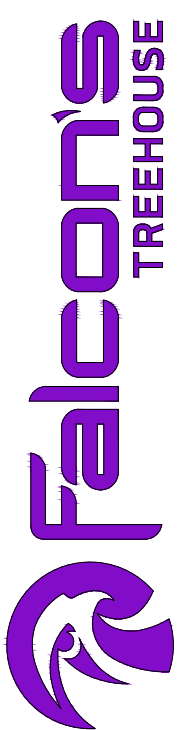
RUSSELL C. DAVIS  
PLANETARIUM

THIS DOCUMENT CONTAINS COPYRIGHT MATERIAL AND TRADE SECRET INFORMATION BELONGING TO FALCON'S TREEHOUSE AND ITS CLIENT AS NOTED ON PACKAGE. ANY UNAUTHORIZED USE, DISCLOSURE, DISSEMINATION OR PUBLICATION OF ANY OF THE INFORMATION CONTAINED HEREIN MAY RESULT IN LIABILITY UNDER APPLICABLE LAWS.

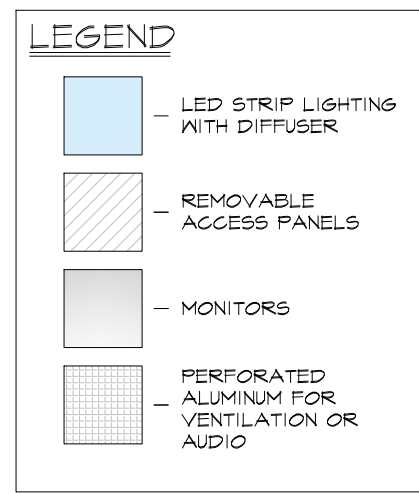
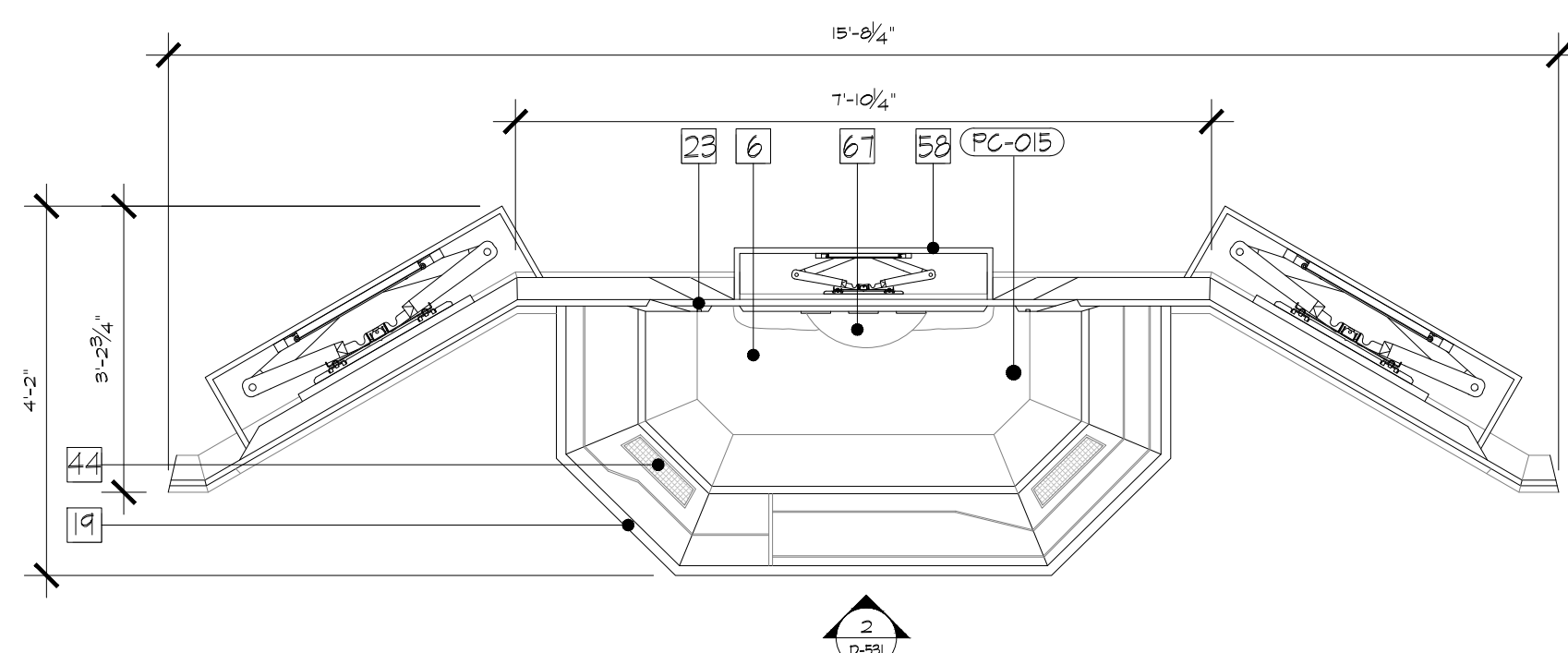
JACKSON  
PLANETARIUM

PHASE: 100% DESIGN DEVELOPMENT - EXHIBIT AREA  
DRAWING TITLE: EXHIBIT INTERACTIVES  
E02 - PROJECTED DISPLAY

SCALE: AS NOTED  
DATE: 01-31-2025  
DWS NO.: D2-523



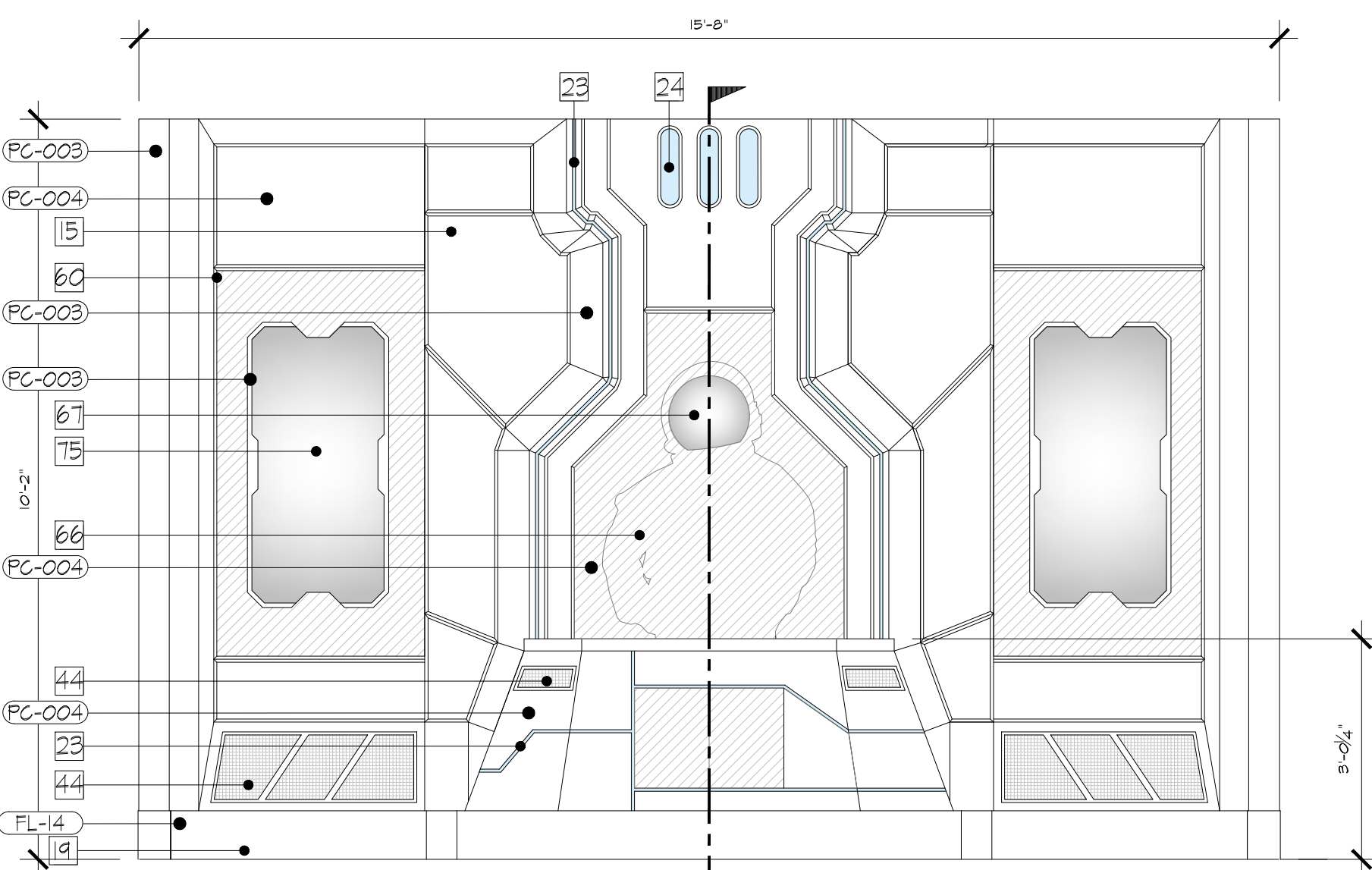




EO3 - PLAN

SCALE: 1/2" = 1'

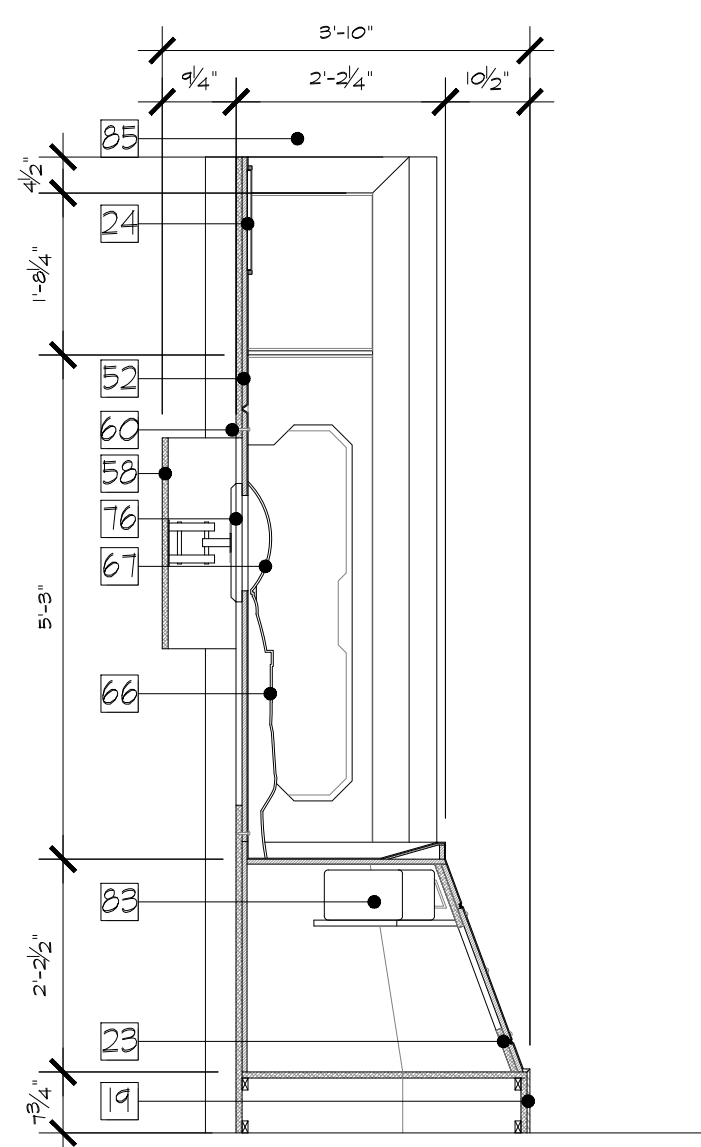
D2-101 D2-531



EO3 - ELEVATION

SCALE: 1/2" = 1'

D2-531 D2-531



EO3 - SECTION

SCALE: 1/2" = 1'

D2-531 D2-531



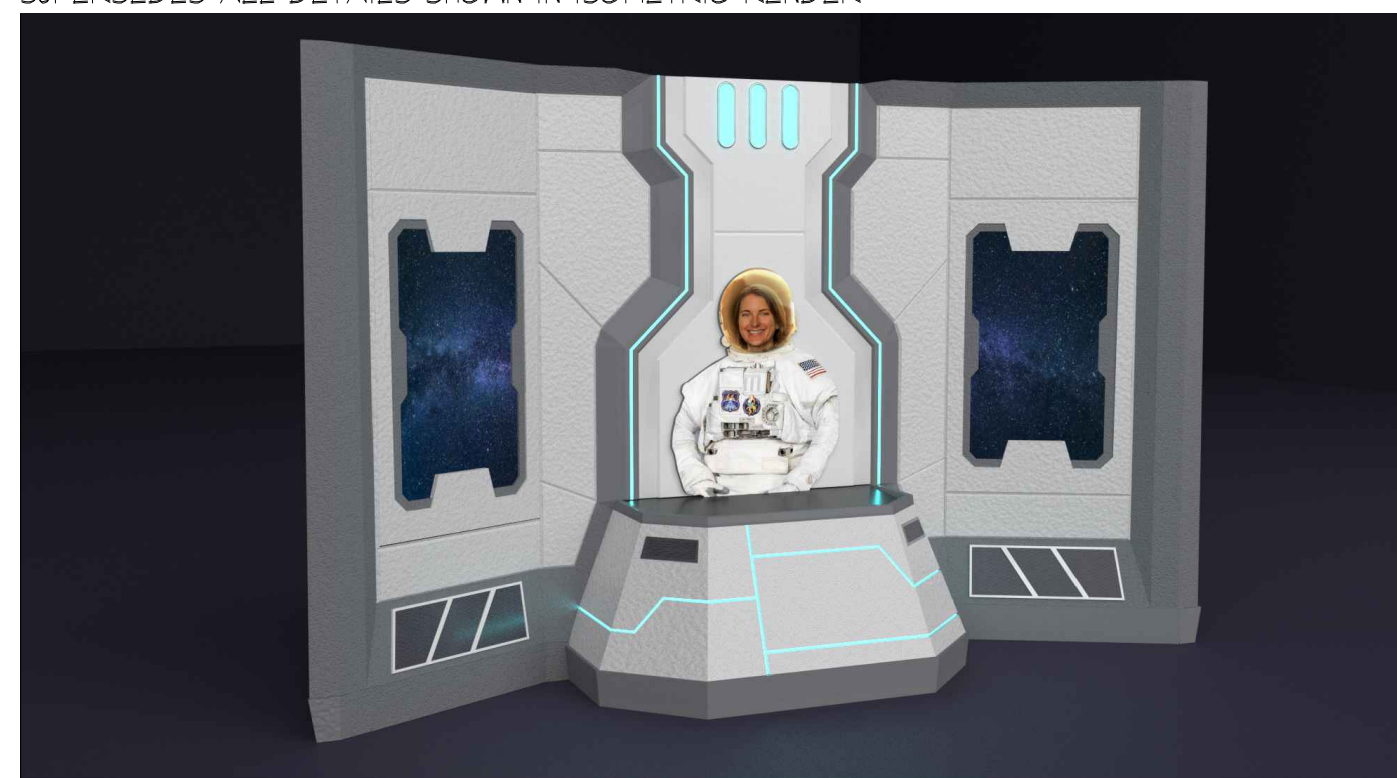
EO3 - REFERENCE IMAGERY

SCALE: N.T.S.

D2-531

GENERAL NOTE:

ALL ISOMETRIC RENDER IMAGES INCLUDED ARE INCLUDED FOR CREATIVE AND MASSING INTENT ONLY. TECHNICAL DRAWINGS AND INFORMATION SUPPLIED WITHIN THIS PACKAGE SUPERSEDES ALL DETAILS SHOWN IN ISOMETRIC RENDER



EO3 - ISO VIEW

SCALE: N.T.S.

D2-531

NOTES:

- 6 - DIMENSIONAL SCENIC CLADDING IN LAYERED MDF CONSTRUCTION WITH SCENIC PAINT TREATMENT
- 5 - DIMENSIONAL SCENIC CLADDING CONSTRUCTED OF MDF WITH THERMOFORMED KYDEX LAMINATE OR SIMILAR FINISH TREATMENT
- 19 - FLAT STOCK BASE BOARD FINISHED WITH HIGH PRESSURE LAMINATE. SCUFF RESISTANT PAINT AS AN ALTERNATIVE FINISH.
- 23 - RECESSED LED LIGHTING EFFECT WITH POLYCARBONATE DIFFUSER
- 24 - SURFACE MOUNTED LED STRIP LIGHTING WITH ALUMINUM FRAMED DIFFUSER
- 44 - FRAMED ALUMINUM MESH IN POWDERCOAT FINISH
- 52 - 3/4" MDF PANELS WITH BEVELED EDGES
- 53 - 3/4" MDF PANELS WITH CNC ROUTED CHANNELS FOR RECESSED LIGHTING
- 58 - 3/4" PLYWOOD BACKING
- 60 - RECESSED ALLEN HEAD SOCKET GAP BOLTS - RETAINERS/RECEIVERS TO BE BUILT INTO CABINET FRAMEWORK TO ALLOW FOR EASE OF INSTALL
- 66 - BAS RELIEF SCULPT WITH APPLIED FABRICS AND TEXTILES TO MATCH THE APPEARANCE OF A SPACE SUIT
- 67 - POLYCARBONATE DIMENSIONAL HELMET WITH ONE-WAY GOLD-COLORED MIRROR GLASS FILM APPLIED TO INTERIOR FACE
- 15 - 65" MONITOR (SAMSUNG Q65R) REAR MOUNTED USING FULL MOTION TV MOUNT AND RECESSED IN MDF CLADDING
- 16 - 13" MONITOR (SAMSUNG Q61R) REAR MOUNTED USING BRACKET MOUNT AND RECESSED IN MDF CLADDING
- 63 - BLACK SURFACE MOUNT LOUD SPEAKER (Q-SYS AD-54T) MOUNTED INTERNALLY IN CABINET WITH PERFORATED POWDER COATED ALUMINUM GRATING FOR SOUND TRANSMISSION
- 65 - PASSIVE INFRARED MOTION DETECTOR (HMS ELECTRONICS BS-PIR-2) ACTING AS TRIGGER FOR MEDIA PLAYBACK. DETECTOR TO BE RECESSED INTO HEADER ABOVE INTERACTIVE
- PC-003 - KYDEX - PORCH 53233
- PC-004 - KYDEX - RAILING 53235
- PC-015 - METALLIC PAINT STANNIC MTL102
- FL-14 - HIGH PRESSURE LAMINATE - MOUSE

RUSSELL C. DAVIS PLANETARIUM

THIS DOCUMENT CONTAINS COPYRIGHT MATERIAL AND TRADE SECRET INFORMATION BELONGING TO FALCON'S TREEHOUSE AND ITS CLIENT AS NOTED ON PACKAGE. ANY UNAUTHORIZED USE, DISCLOSURE, REPRODUCTION OR PUBLICATION OF ANY OF THE INFORMATION CONTAINED HEREIN MAY RESULT IN LIABILITY UNDER APPLICABLE LAWS.

ASTRO AMBASSADORS - CREATIVE NARRATIVE:

MEET YOUR HEROES RIGHT IN THE SPACE OBSERVATORY AND HEAR FIRSTHAND WHAT IT'S LIKE TO EXPLORE SPACE...FOR YOUR JOB! THIS STATION BRINGS TO LIFE A NUMBER OF SPACE PROFESSIONALS -- RIGHT BEFORE GUESTS' EYES -- FROM THOSE BEHIND THE HEADSETS TO THOSE BEHIND THE HELMET.

TECHNICAL NARRATIVE:

THIS INTERACTIVE CONSISTS OF THREE SEPARATE MONITORS. TWO PORTRAIT-ORIENTED 65" MONITORS (Q65R OR SIMILAR) ARE EACH REAR MOUNTED VIA AN ARTICULATING MOUNT (EGLF2 OR SIMILAR) ON EITHER SIDE OF THE CENTRAL DISPLAY UNIT. EACH MONITOR CAN BE ACCESSED VIA A REMOVEABLE SCENIC FRAME AFFIXED TO THE FRONT OF THE BUILD OUT. IN THE CENTER OF THE INTERACTIVE IS A BAS RELIEF SCULPT OF AN ASTRONAUT SUIT WITH APPLIED FABRICS AND TEXTILES TO MIMIC THE LOOK AND FEEL OF A SPACESUIT. THIS SCULPT IS DIRECTLY MOUNTED TO ANOTHER REMOVEABLE PANEL ALLOWING FOR ACCESS BEHIND IF NEEDED. THE FINAL SHAPE, DESIGN, MATERIALITY, AND CONSTRUCTION OF THE ASTRONAUT SCULPT IS TO BE DETERMINED BY THE FABRICATING SCENIC VENDOR AND CONFIRMED WITH NASA AS NECESSARY FOR ACCURACY. THE ASTRONAUT'S HELMET IS FULLY DIMENSIONAL WITH A ONE-WAY GOLD-COLORED MIRROR GLASS FILM APPLIED TO THE INTERIOR FACE OF THE VISOR. BEHIND THE VISOR IS A 13" PORTRAIT-ORIENTED MONITOR (Q61R OR SIMILAR) SUPPORTED VIA A VESA WALL MOUNT (MA1300 OR SIMILAR). A PASSIVE INFRARED MOTION DETECTOR (BS-PIR-2 OR SIMILAR) IS MOUNTED WITHIN A RECESS ABOVE THE SPACESUIT SCULPT. THE POSITIONING AND FOCUS OF THIS ELEMENT'S FIELD OF VIEW IS CRUCIAL TO THE FUNCTIONALITY OF THE SENSOR. THE SENSOR AREA SHOULD BE FOCUSED ON THE SPACE DIRECTLY IN FRONT OF THE CABINET BASE (SEE SECTION A ON D2-531 FOR FURTHER DETAILS). THIS SENSOR IS CONNECTED TO A BRIGHTSIGN PLAYBACK DEVICE (XC4055) BY WAY OF RJ12 CONNECTOR (RJ12-6-6-30FT).

DURING TIMES OF NO GUEST INTERACTION, THE TWO SIDE MONITORS CYCLE THROUGH ATTRACT SEQUENCES CONSISTING OF FACTS, DATA, AND OTHER INFOGRAPHICS WHILE THE CENTRAL DISPLAY REMAINS OFF. THE INTERACTIVE SEQUENCE BEGINS WHEN A GUEST APPROACHES THE CABINET AND ENTERS THE FIELD OF VIEW OF THE MOTION SENSOR. THIS SENSOR THEN SENDS A TRIGGER SIGNAL TO THE BRIGHTSIGN DEVICE CONNECTED TO ALL THREE MEDIA DISPLAYS VIA HDMI (2 M-4K-1 PAQUET OR SIMILAR). UPON RECEIPT OF THIS SIGNAL, THE HELMET MONITOR FADES IN TO DISPLAY THE FACE OF THE ASTRONAUT, WHILE THE TWO SIDE MONITORS DISPLAY ADDITIONAL RELEVANT INFORMATION PERTAINING TO THE SUBJECT SPEAKING. THESE COULD INCLUDE BUT ARE NOT LIMITED TO TEXT, VIDEOS, IMAGES, AND INFOGRAPHICS. THE SUBJECT'S NARRATION AND ANY OTHER SOUND EFFECT AUDIO WILL BE PLAYED VIA TWO POINT-SOURCE SPEAKERS (AD-54T OR SIMILAR) CONNECTED TO A LOCAL AMPLIFIER (CSA 1120Z OR SIMILAR) WHICH IS IN TURN CONNECTED TO THE BRIGHTSIGN BY WAY OF 1/8" MALE TO MALE AUDIO CABLE. THESE SPEAKERS ARE MOUNTED BELOW THE SCULPT, WITHIN THE CABINET BASE, AND BEHIND PERFORATED OPENINGS TO ALLOW FOR SOUND TRANSMISSION.

ONCE THE INTERACTIVE SEQUENCE IS COMPLETE, ALL MEDIA REVERTS TO THE ATTRACT SEQUENCES. IF AFTER THREE SECONDS THE MOTION SENSOR REMAINS TRIGGERED, THE NEXT SEQUENCE BEGINS. THE PLAYBACK DEVICE IS PROGRAMMED TO CYCLE CONTINUOUSLY THROUGH EACH UNIQUE SHOW (FINAL TOTAL QUANTITY TBD) IN A PREDETERMINED ORDER BEFORE REPEATING TO THE FIRST SEQUENCE. THIS SPECIFIC PROGRAMMING ENSURES THAT GUESTS WILL NOT VIEW A REPEATED EXPERIENCE ADJACENTLY.

A REMOVEABLE ACCESS PANEL IS INTEGRATED INTO THE FRONT FACE OF THE CABINET BASE MILLWORK TO PROVIDE ACCESS TO BOTH SPEAKERS AND BRIGHTSIGN PLAYER.

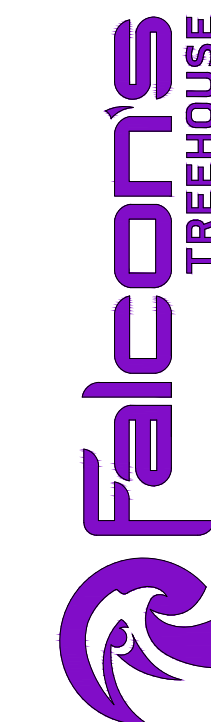
START OF DAY/END OF DAY CONTROL: THE BRIGHTSIGN PLAYBACK DEVICE WILL BE PROGRAMMED TO RUN DURING MUSEUM OPENING HOURS AND WILL CONTROL THE MONITOR POWER STATE OVER CEC PROTOCOL.

EO3 - NARRATIVE DESCRIPTIONS

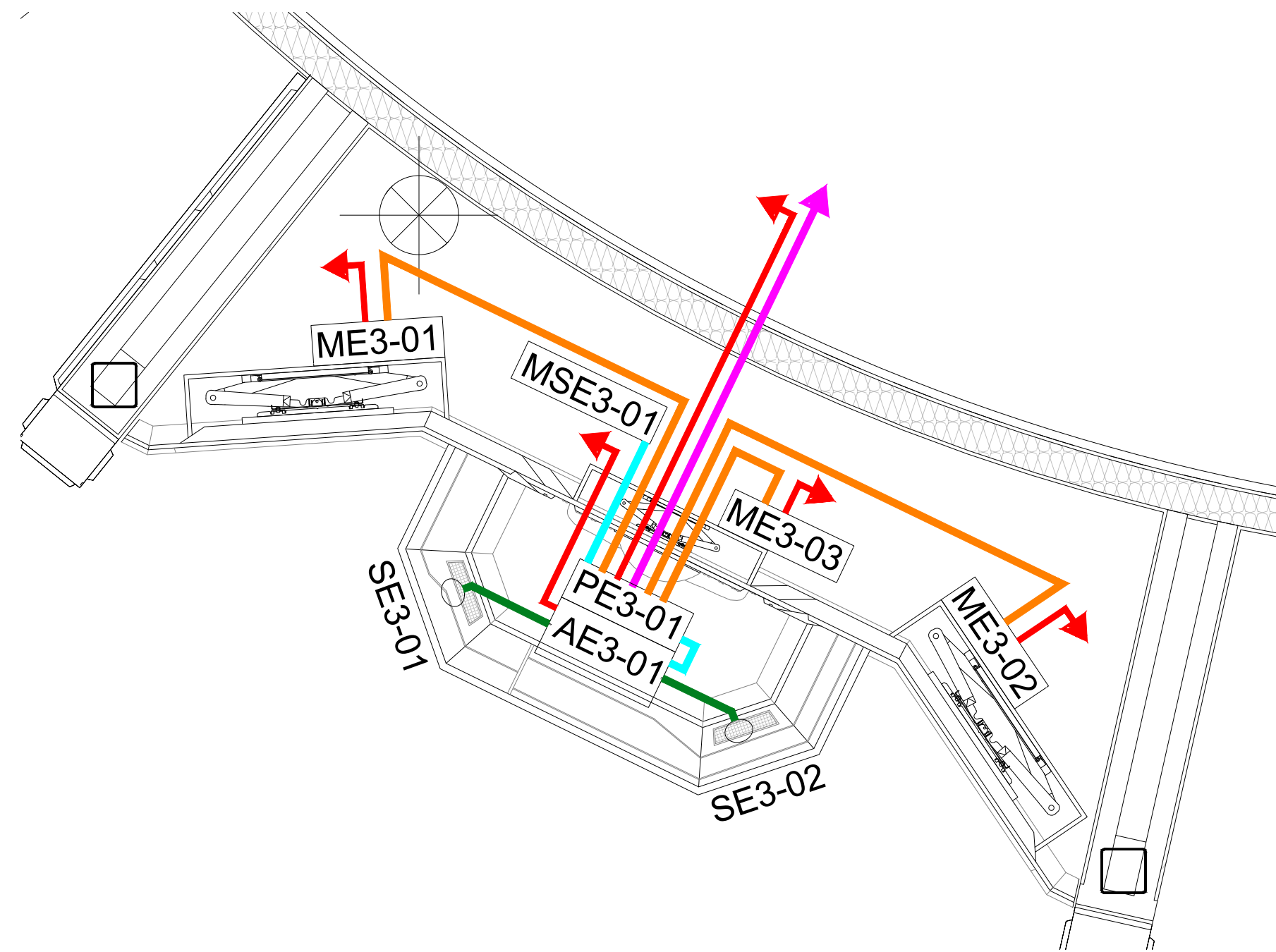
SCALE: N.T.S.

D2-531

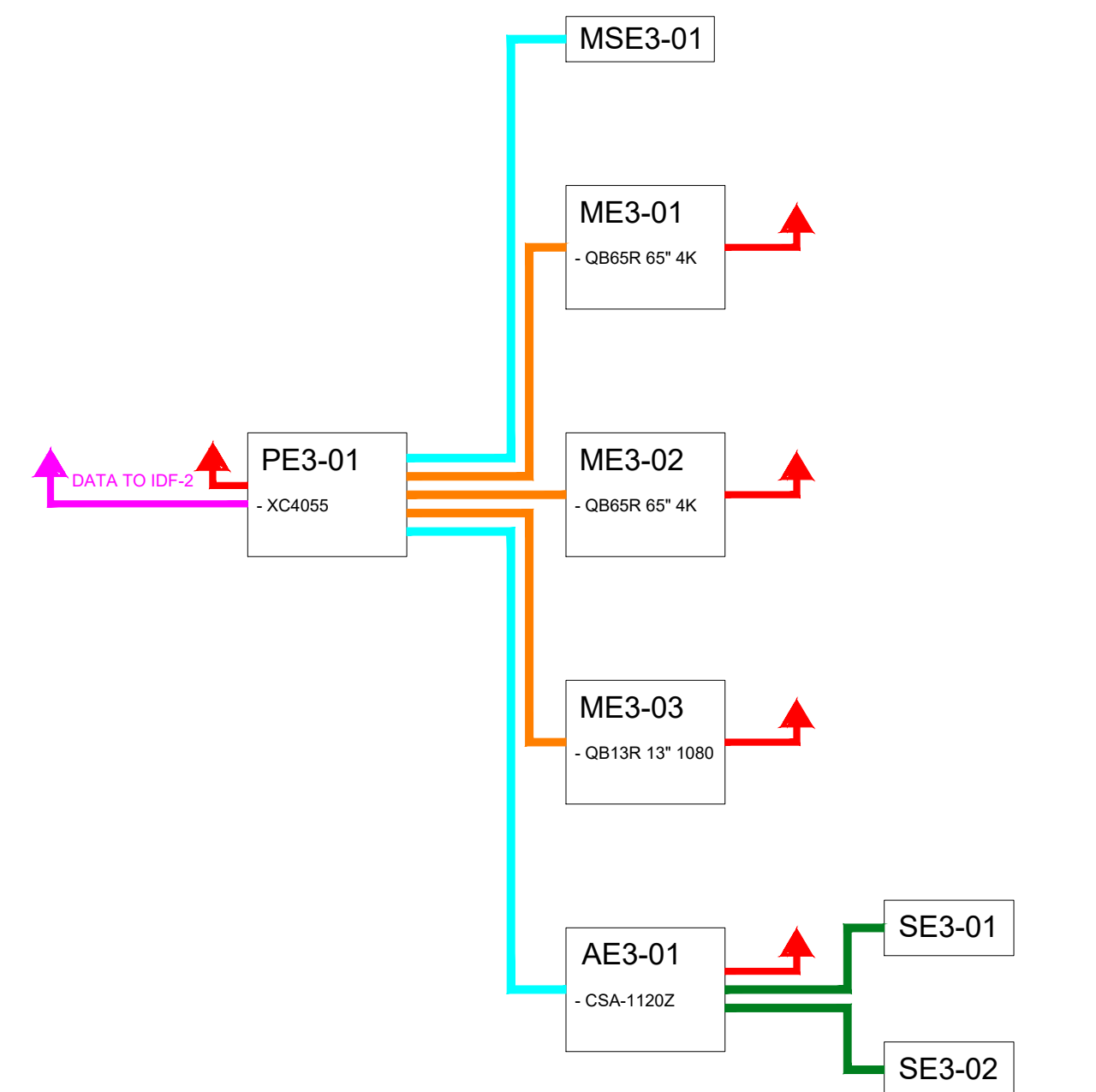
JACKSON PLANETARIUM	PHASE: 100% DESIGN DEVELOPMENT - EXHIBIT AREA
EXHIBIT INTERACTIVES	DRAWING TITLE:
EO3 - ASTRONAUT INTERACTIVE	DATE: 01-31-2025
SCALE: AS NOTED	DWG NO.: D2-531







E03 - ENLARGED PLAN - LINE DIAGRAM  
SCALE: 1/2" = 1'



E03 - PRELIMINARY INTERCONNECT  
SCALE: N.T.S.

**GENERAL CONSIDERATIONS:**

**CONDUIT RUNS**

- DATA AND VAC MUST BE RUN IN SEPARATE CONDUITS
- SIZE CONDUIT BASED ON NUMBER OF INTERNAL WIRE RUNS

**ENVIRONMENTAL CONSIDERATIONS**

- ENSURE PROPER GROUNDING OFF ALL ELECTRICAL COMPONENTS TO AVOID ELECTROCUTION AND/OR DAMAGE TO EQUIPMENT

**RECESSING MOTION SENSORS**

- ALL SENSOR MUST BE RECESSED INTO SCENIC TO AVOID GUEST CONTACT AND POTENTIAL MISALIGNMENT
- SUFFICIENT AREA MUST BE LEFT OPEN AROUND SENSOR TO ALLOW FOR ADJUSTMENT AND CLEANING

Tag	Item	Manufacturer	Part No.	QTY
ME3-##	Monitor 65" 4K	Samsung	QB65r	2
ME3-03	Monitor	Samsung	QB13r	1
PE3-01	Media Player	Brightsign	XC4055	1
SE3-##	Speaker	Q-SYS	AD-S4T	2
AE3-01	Amplifier	JBL	CSA 1120Z	1
MSE3-01	Motion Sensor	HMS Electronics	BS-PIR-Z	1
-	Cable - PIR	HMS Electronics	RJ12-6-6-30ft	1
-	Mount - Monitor	ECHOGEAR	EGLF2	2
-	Mount - Monitor	XINLEI	MA1330	1
-	Mount - Player	HIDEit	Series 4 + 3	1
-	HDMI - 6ft	PowerBear	2 m-4K-1 paquet	1
-	HDMI - 20ft	PowerBear	6 m-4K-1 paquet	2

E04 - PRELIMINARY BOM  
SCALE: N.T.S.

Item	Part No.	ID	Location	Connection	Wattage	Type
Monitor	QB65r	ME3-01	E03	FAC Power	148	110VAC - 12/3
			E03	PE3-01	-	HDMI
Monitor	QB65r	ME3-02	E03	FAC Power	148	110VAC - 12/3
			E03	PE3-01	-	HDMI
Monitor	QB13r	ME3-03	E03	FAC Power	120	110VAC - 12/3
			E03	PE3-01	-	HDMI
Media Player	XC4055	PE3-01	E03	FAC Power	40	110VAC - 12/3
			E03	ME3-01	-	HDMI
			E03	ME3-02	-	HDMI
			E03	ME3-03	-	HDMI
			E03	MSE3-01	-	RJ12-6-6
			IDF-2	SW2-01	-	CAT6
Amplifier	CSA-1120Z	AE3-01	E03	FAC Power	120	110VAC - 12/3
			E03	PE3-01	-	AUX
			E03	SE3-01	50	SPK - 16/2
Speaker	AD-S4T	SE3-01	E03	AE3-01	50	SPK - 16/2
Speaker	AD-S4T	SE3-02	E03	AE3-01	50	SPK - 16/2
Motion Sensor	BS-PIR-Z	MSE3-01	E03	PE3-01	-	RJ12-6-6

E03 - WIRING CHART  
SCALE: N.T.S.

**GENERAL NOTES**

- ALL WIRING TYPES CORRESPOND IN COLOR TO PRELIMINARY INTERCONNECT LINES

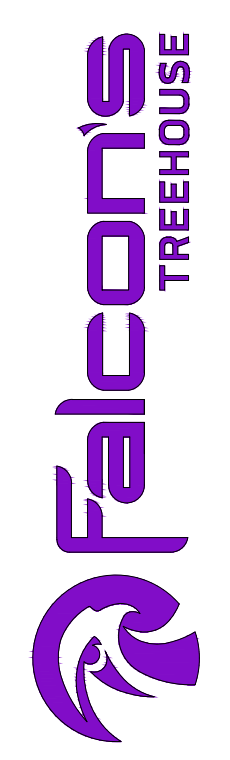
RUSSELL C. DAVIS  
PLANETARIUM

THIS DOCUMENT CONTAINS COPYRIGHT MATERIAL AND TRADE SECRET INFORMATION BELONGING TO FALCON'S TREEHOUSE AND ITS CLIENT AS NOTED ON PACKAGE. ANY UNAUTHORIZED USE, DISCLOSURE, REPRODUCTION OR PUBLICATION OF ANY OF THE INFORMATION CONTAINED HEREIN MAY RESULT IN LIABILITY UNDER APPLICABLE LAWS.

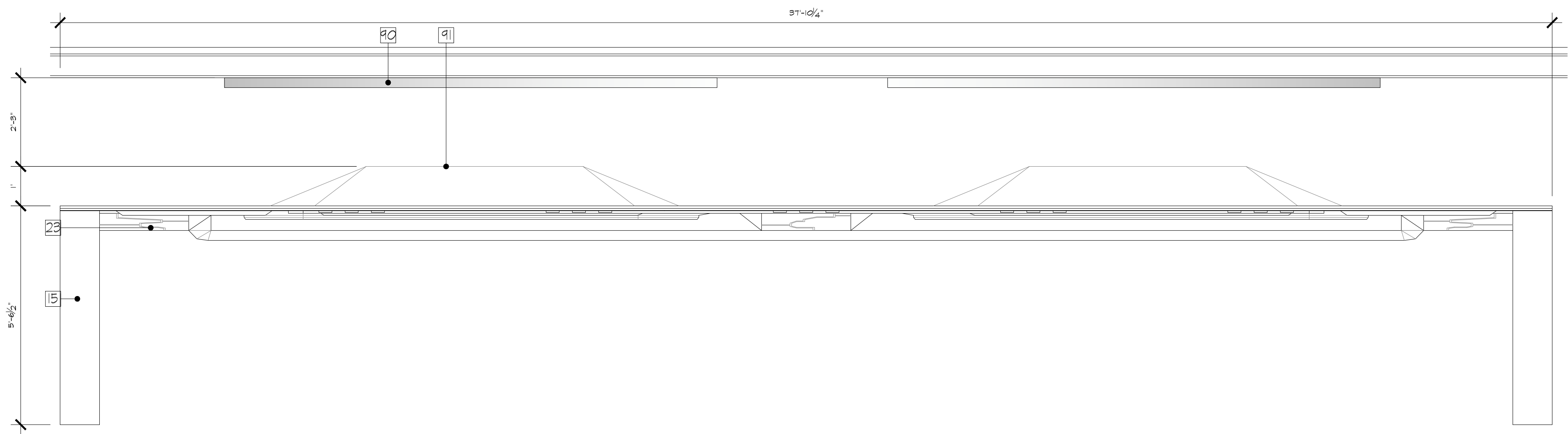
JACKSON  
PLANETARIUM

PHASE: 100% DESIGN DEVELOPMENT - EXHIBIT AREA  
DRAWING TITLE: EXHIBIT INTERACTIVES  
E03 - ASTRONAUT INTERACTIVE

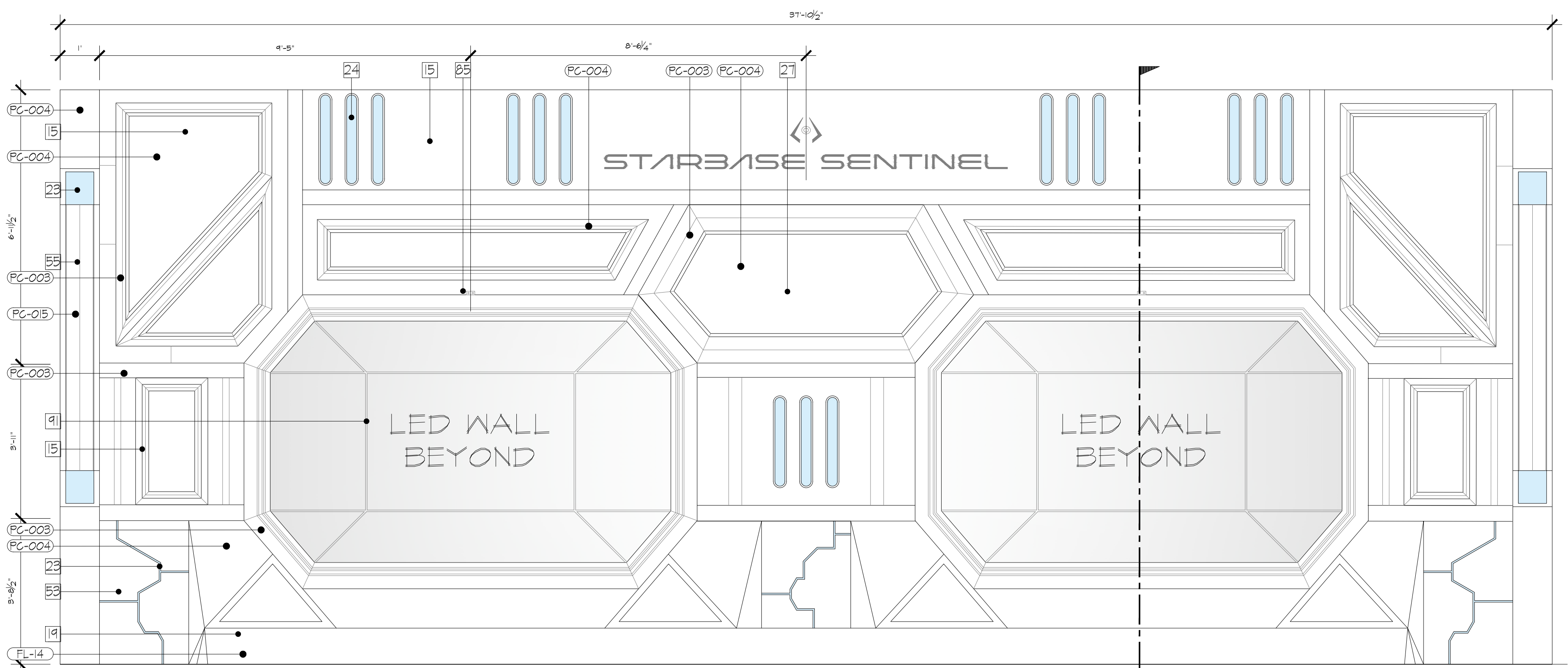
DATE: 01-31-2025  
SCALE: AS NOTED  
DWG NO.: D2-532



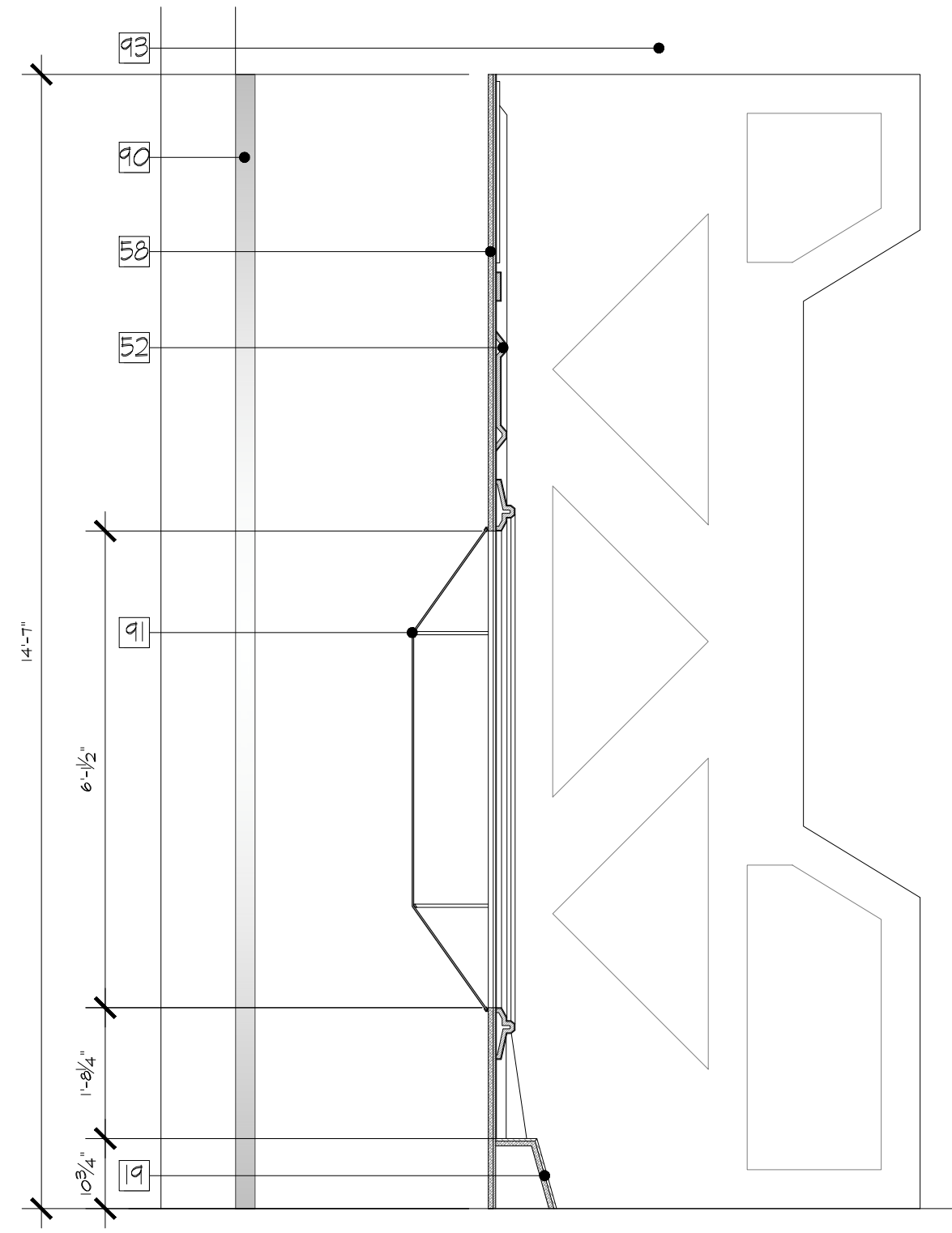
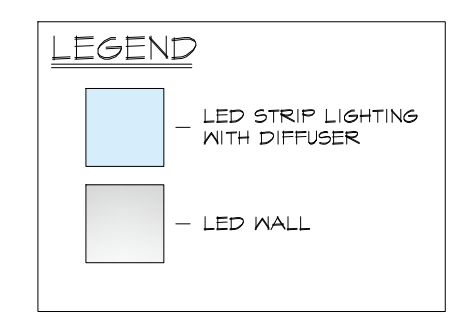




**E06 - PLAN**  
SCALE: 1/2" = 1'



**E06 - ELEVATION**  
SCALE: 1/2" = 1'



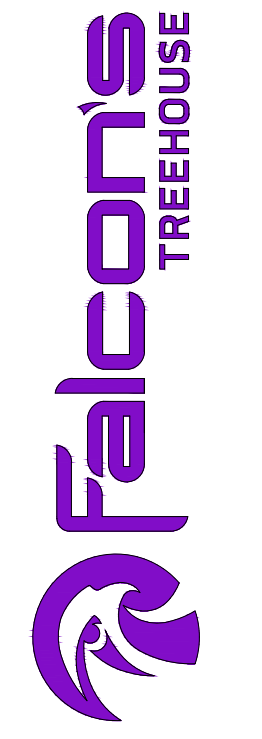
**E06 - SECTION**  
SCALE: 1/2" = 1'

- NOTES:
- 15 - DIMENSIONAL SCENIC CLADDING CONSTRUCTED OF MDF WITH THERMOFORMED KYDEX LAMINATE OR SIMILAR FINISH TREATMENT
  - 19 - FLAT STOCK BASE BOARD FINISHED WITH HIGH PRESSURE LAMINATE SCUFF RESISTANT PAINT AS AN ALTERNATIVE FINISH.
  - 23 - RECESSED LED LIGHTING EFFECT WITH POLYCARBONATE DIFFUSER
  - 24 - SURFACE MOUNTED LED STRIP LIGHTING WITH ALUMINUM FRAMED DIFFUSER
  - 27 - MARQUEE SIGNAGE - WATERJET CUT BRUSHED ALUMINUM LETTERING ATTACHED TO DRYWALL USING ALUMINUM SPACERS AND STUDS. PLEASE REFER TO GRAPHICS SCHEDULE FOR FURTHER DETAILS
  - 28 - 3/4" MDF PANELS WITH BEVELED EDGES
  - 29 - 3/4" MDF PANELS WITH CNC ROUTED CHANNELS FOR RECESSED LIGHTING
  - 33 - PVC TUBING WITH METALLIC PAINT FINISH AND POLYURETHANE TOPCOAT
  - 34 - 3/4" PLYWOOD BACKING
  - 35 - PASSIVE INFRARED MOTION DETECTOR (HMS ELECTRONICS BS-PIR-Z) ACTING AS TRIGGER FOR MEDIA PLAYBACK. DETECTOR TO BE RECESSED INTO HEADER ABOVE INTERACTIVE
  - 36 - LED WALL (MIRACLE)
  - 37 - POLYCARBONATE WINDOW PANELS WITH BRUSHED ALUMINUM MULLIONS
  - 38 - BLACK PENDANT CEILING MOUNTED LOUD SPEAKER (OSC AD-P67)
  - PC-003 - KYDEX - PORCH 53233
  - PC-004 - KYDEX - RAILING 53235
  - PC-015 - PPG METALLIC PAINT - STANNIC MTL102
  - FL-14 - HIGH PRESSURE LAMINATE - MOUSE

RUSSELL C. DAVIS  
PLANETARIUM

THIS DOCUMENT CONTAINS COPYRIGHT MATERIAL AND TRADE SECRET INFORMATION BELONGING TO FALCONS TREEHOUSE AND ITS CLIENT AS NOTED ON PACKAGE. ANY UNAUTHORIZED USE, DISCLOSURE, REPRODUCTION OR PUBLICATION OF ANY OF THE INFORMATION CONTAINED HEREIN MAY RESULT IN LIABILITY UNDER APPLICABLE LAWS.

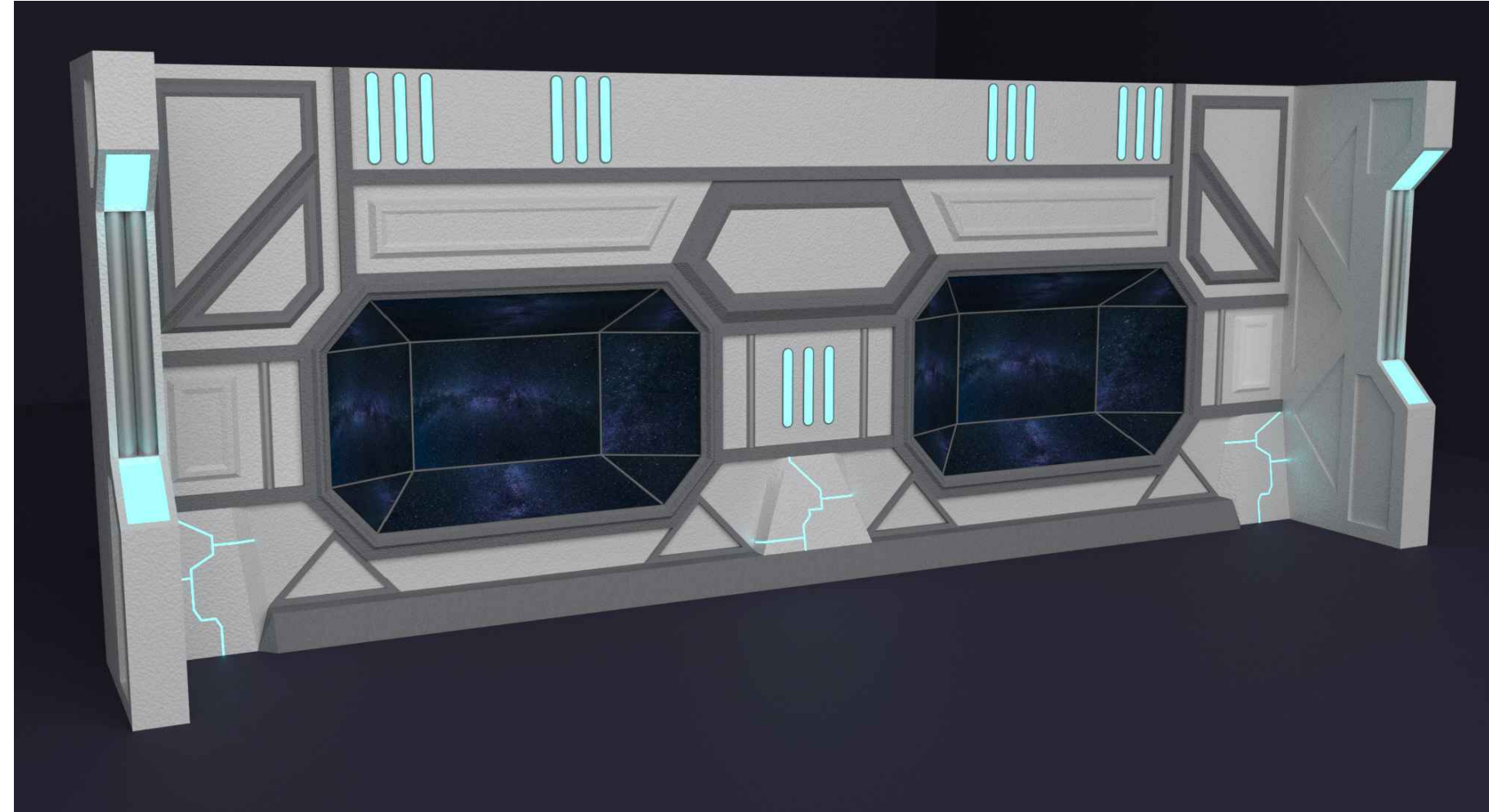
JACKSON PLANETARIUM	PHASE: 100% DESIGN DEVELOPMENT - EXHIBIT AREA
EXHIBIT INTERACTIVES E06 - SPACE PORTAL	DRAWING TITLE
SCALE: AS NOTED	DATE: 01-31-2025
DWG NO.: D2-561	





GENERAL NOTE:

ALL ISOMETRIC RENDER IMAGES INCLUDED ARE INCLUDED FOR CREATIVE AND MASSING INTENT ONLY. TECHNICAL DRAWINGS AND INFORMATION SUPPLIED WITHIN THIS PACKAGE SUPERSEDES ALL DETAILS SHOWN IN ISOMETRIC RENDER.



E06 - ISO VIEW  
SCALE: N.T.S.

1 - D2-562



E06 - REFERENCE IMAGERY  
SCALE: N.T.S.

2 - D2-562

STARBASE SENTINEL - CREATIVE NARRATIVE:

IN THIS ADRENALINE-FILLED EXPERIENCE, GUESTS SWIPE TO FEND OFF INCOMING ASTEROIDS AND REPAIR AND PROTECT THE SPACE OBSERVATORY! BLOCK AND REPAIR INTERACTIONS ENABLE MULTIPLE PLAYERS FROM FAMILIES OR FRIENDS TO PARTICIPATE, CREATING A HIGH-ENERGY SOCIAL INTERACTIVE UNIQUE TO THE JFISO.

TECHNICAL NARRATIVE:

TWO LARGE LED WALLS (MIRACLE 12.6'X6.3') ARE PLACED BEHIND TWO SCENIC WINDOWS THAT GIVE THE ILLUSION OF LOOKING OUT INTO THE VASTNESS OF SPACE. DUE TO THE PROXIMITY OF GUESTS, LED WALLS ARE TO HAVE A PIXEL PITCH OF 2MM OR LESS (SELECTED WALL: 1.86MM), EACH WALL IS EQUIPPED WITH A 3D CAMERA (ZED 2I) MOUNTED ABOVE THE WINDOWS, RECESSED INTO THE SCENIC BUILDOUT, AND USED TO TRACK GUEST MOVEMENTS DURING GAMEPLAY. PLAY AREA IS DESIGNATED ON THE BY WAY OF ALTERNATE FLOORING TREATMENT TO ENSURE GUESTS STAY WITHIN THE OPTIMAL TRACKING BOUNDARIES FOR THE SYSTEM, WITH A MAXIMUM CAPACITY OF TWO GUESTS AT A TIME PER WINDOW.

BOTH CAMERA AND LED WALLS ARE CONNECTED TO LOCAL GAMING PCs (NUC RNUC12DCM170002 OR SIMILAR) (TWO TOTAL - ONE PER SIDE). THESE PCs WILL REQUIRE A DISCRETE DEDICATED GPU (RTX 3060TI OR GREATER) TO ALLOW FOR EFFECTIVE GAMEPLAY AND SMOOTH GUEST INTERACTION.

DURING TIMES WITHOUT GUEST INTERACTION, THE MEDIA CONTENT DISPLAYS SPACE WITH VARIOUS ASTEROIDS FLYING TOWARDS THE SPACE STATION AND ATTRACT MESSAGES. ONCE GUESTS ENTER THE PLAY AREA, THEY UTILIZE THEIR HANDS AND BODIES TO EITHER BLOCK THE DEBRIS OR REPAIR ANY IMPACTS BY WAY OF GESTURE-BASED ACTIONS. ALL GAMEPLAY WILL BE CONTINUOUS WITH NO MARKED END OR BEGINNING.

ACCOMPANYING SOUND EFFECT AUDIO TO BE VIA ONE PENDANT SPEAKERS (AD-P6T) MOUNTED ABOVE EACH PLAY AREA (2 TOTAL - ONE PER SIDE). EACH SPEAKER IS CONNECTED BACK TO AN INDIVIDUAL LOCAL AMPLIFIER (CSA 1120Z OR SIMILAR), WHICH IN TURN IS CONNECTED BACK TO THE RESPECTIVE GAME PC BY WAY OF 1/8" MALE TO MALE AUDIO CABLE.

ALL TECHNICAL EQUIPMENT (PCS, AMPLIFIERS, CABLING, ETC. TO BE LOCATED BEHIND SCENIC WINDOW FAÇADE AND ACCESSED BY MAINTENANCE DOORS INTEGRATED INTO THE FAÇADE.

START OF DAY/END OF DAY CONTROL: GAMING PC WILL BE PROGRAMMED TO RUN DURING MUSEUM OPENING HOURS AND SHUT DOWN/HIBERNATE DURING OFF-HOURS.

AMBIENT LIGHTING REQUIREMENTS:

DUE TO THE NATURE OF THE TECHNICAL HARDWARE COMPRISING THIS INTERACTIVE, A HIGHER AMBIENT LIGHTING LEVEL IS REQUIRED WITHIN THE PLAY AREAS TO FACILITATE ACCURATE AND EFFECTIVE TRACKING VIA THE ZED 2I CAMERAS.

MINIMUM LIGHTING LEVEL FOR ACCEPTABLE TRACKING

- AT LEAST 170LUX

MINIMUM LIGHTING LEVEL FOR OPTIMAL TRACKING

- AT LEAST 350LUX

E06 - NARRATIVE DESCRIPTIONS

SCALE: N.T.S.

3 - D2-562

RUSSELL C. DAVIS  
PLANETARIUM

THIS DOCUMENT CONTAINS COPYRIGHT MATERIAL AND TRADE SECRET INFORMATION BELONGING TO FALCON'S TREEHOUSE AND ITS CLIENT AS NOTED ON PACKAGE. ANY UNAUTHORIZED USE, DISCLOSURE, DISSEMINATION OR PUBLICATION OF ANY OF THE INFORMATION CONTAINED HEREIN MAY RESULT IN LIABILITY UNDER APPLICABLE LAWS.

JACKSON  
PLANETARIUM

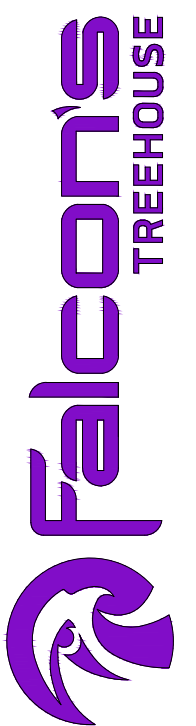
PHASE: 100% DESIGN DEVELOPMENT - EXHIBIT AREA

DRAWING TITLE:  
EXHIBIT INTERACTIVES  
E06 - SPACE PORTAL

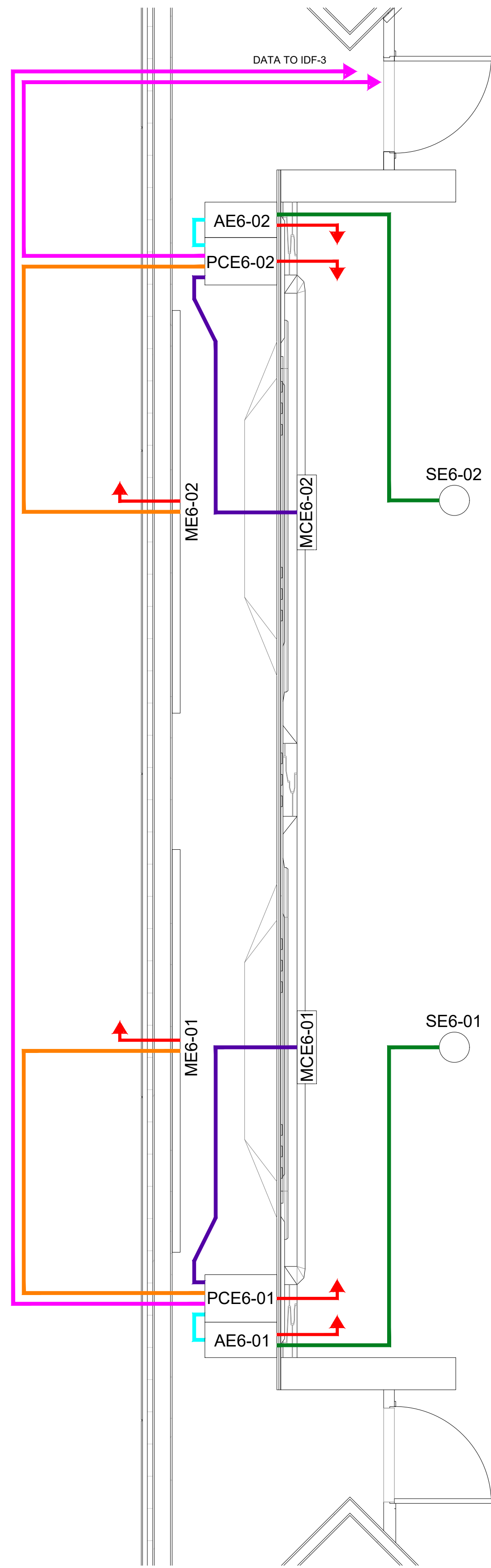
SCALE: AS NOTED

DATE: 01-31-2025

DWG NO.: D2-562



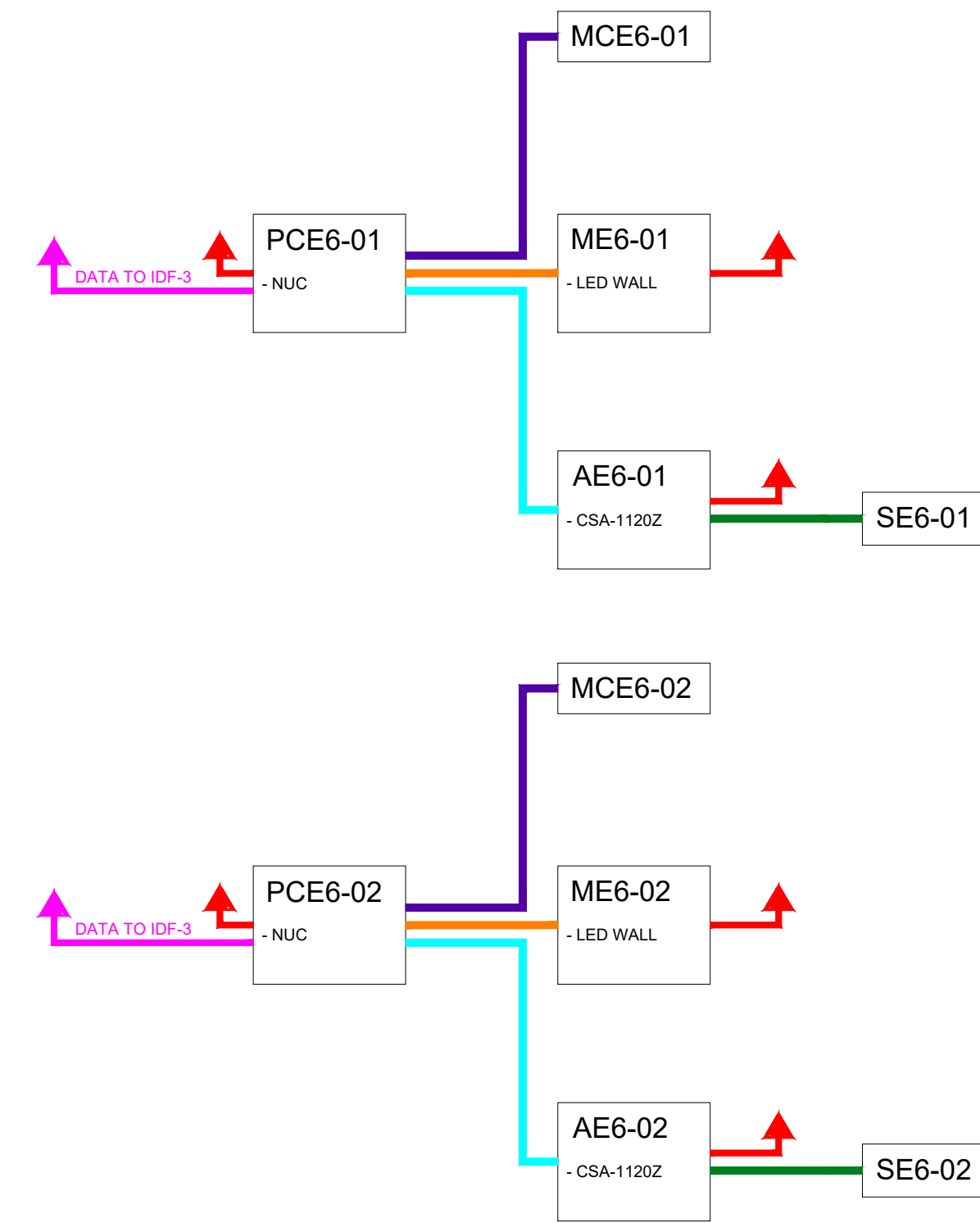




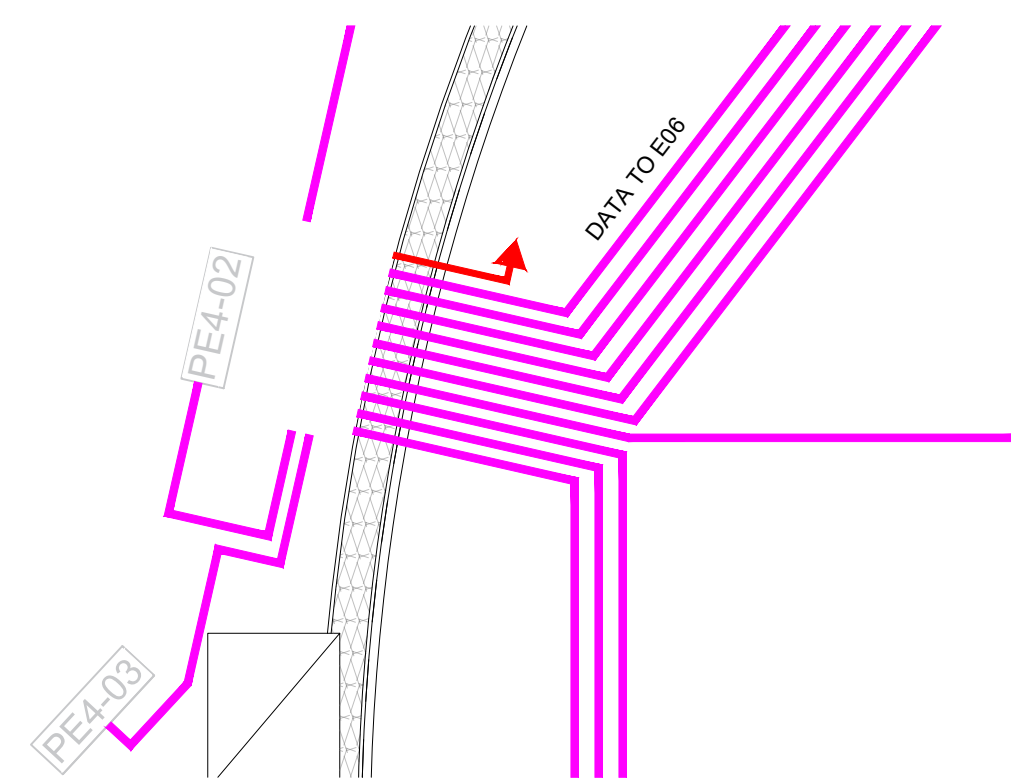
E06 - ENLARGED PLAN - LINE DIAGRAM  
SCALE: 3/8" = 1"  
D2-563

Tag	Item	Manufacturer	Part No.	QTY
ME6-##	Monitor - LED Wall	Miracle	12.6'x6.3'	2
MCE6-##	Motion Camera	Stereo Labs	ZED 2i	2
SE6-##	Speaker	Q-Sys	AD-P6T	2
AE6-##	Amplifier	JBL	CSA 1120Z	2
PCE6-##	NUC	Intel	RNUC12DCMI70002	2
-	GPU	Zotac	RTX3060ti	2
-	Mount - Camera	Elgato	10AA09901	2

E06 - PRELIMINARY BOM  
SCALE: N.T.S.  
D2-563



E06 - PRELIMINARY INTERCONNECT  
SCALE: N.T.S.  
D2-563



IDF-3 - ENLARGED PLAN - LINE DIAGRAM  
SCALE: 3/8" = 1"  
D2-563

GENERAL CONSIDERATIONS:

- CONDUIT RUNS
- DATA AND VAG MUST BE RUN IN SEPARATE CONDUITS
  - SIZE CONDUIT BASED ON NUMBER OF INTERNAL WIRE RUNS
- ENVIRONMENTAL CONSIDERATIONS
- ENSURE PROPER GROUNDING OFF ALL ELECTRICAL COMPONENTS TO AVOID ELECTROCUTION AND/OR DAMAGE TO EQUIPMENT
- RECESSING MOTION CAMERAS
- ALL CAMERAS MUST BE RECESSSED INTO SCENIC TO AVOID GUEST CONTACT AND POTENTIAL MISALIGNMENT
  - SUFFICIENT AREA MUST BE LEFT OPEN AROUND CAMERAS TO ALLOW FOR ADJUSTMENT AND CLEANING

Item	Part No.	ID	Location	Connection	Wattage	Type
Monitor	LED Wall	ME6-01	E06-01	FAC Power	3360	110VAC - 12/3
			E06-01	PCE6-01	-	HDMI
Monitor	LED Wall	ME6-02	E06-02	FAC Power	3360	110VAC - 12/3
			E06-02	PCE6-02	-	HDMI
NUC	NUC12DCMI70002	PCE6-01	E06-01	FAC Power	600	110VAC - 12/3
			E06-01	ME6-01	-	HDMI
			E06-01	AE6-01	-	AUX
			E06-01	MCE6-01	-	USB
			IDF-3	SW3-01	-	CAT6
NUC	NUC12DCMI70002	PCE6-02	E06-02	FAC Power	600	110VAC - 12/3
			E06-02	ME6-02	-	HDMI
			E06-02	AE6-02	-	AUX
			E06-02	MCE6-02	-	USB
			IDF-3	SW3-01	-	CAT6
Amplifier	CSA-1120Z	AE6-01	E06-01	FAC Power	120	110VAC - 12/3
			E06-01	PCE6-01	-	AUX
			E06-01	SE6-01	50	SPK - 16/2
Amplifier	CSA-1120Z	AE6-02	E06-02	FAC Power	120	110VAC - 12/3
			E06-02	PCE6-02	-	AUX
			E06-02	SE6-02	50	SPK - 16/2
Speaker	AD-P6T	SE6-01	E06-01	AE6-01	50	SPK - 16/2
Speaker	AD-P6T	SE6-02	E06-02	AE6-02	50	SPK - 16/2
Motion Camera	ZED 2i	MCE6-01	E06-01	PCE6-01	-	USB
Motion Camera	ZED 2i	MCE6-02	E06-02	PCE6-02	-	USB

E06 - WIRING CHART  
SCALE: N.T.S.  
D2-563

- GENERAL NOTES
- ALL WIRING TYPES CORRESPOND IN COLOR TO PRELIMINARY INTERCONNECT LINES

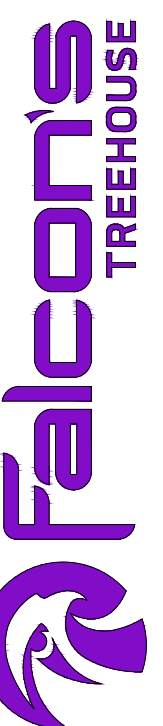
RUSSELL C. DAVIS  
PLANETARIUM

THIS DOCUMENT CONTAINS COPYRIGHT MATERIAL AND TRADE SECRET INFORMATION BELONGING TO FALCONS TREEHOUSE AND ITS CLIENT AS NOTED ON PACKAGE. ANY UNAUTHORIZED USE, DISCLOSURE, REPRODUCTION OR PUBLICATION OF ANY OF THE INFORMATION CONTAINED HEREIN MAY RESULT IN LIABILITY UNDER APPLICABLE LAWS.

JACKSON  
PLANETARIUM

PHASE: 100% DESIGN DEVELOPMENT - EXHIBIT AREA  
DRAWING TITLE: EXHIBIT INTERACTIVES  
E06 - SPACE PORTAL

SCALE: AS NOTED  
DATE: 01-31-2025  
DWS NO.: D2-563

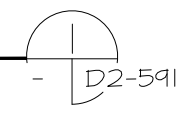




Tag	Item	Manufacturer	Part No.	QTY
S01-##	Speaker	Q-Sys	AD-P6T	15
A01-##	Amplifier	Q-Sys	CX-Q 2K4	1
-	Speaker Cable (16/2)	Show Me Cables	83-216-240 BK:500	420
L01-##	Lighting - DMX Strip			
-	DMX Cable			

OVERALL EXHIBIT AREA - PRELIMINARY BOM

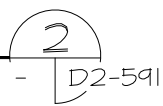
SCALE: N.T.S.



Item	Part No.	ID	Location	Connection	Wattage	Type	
Amplifier	CX-Q 2K4	A01-02	IDF-1	FAC Power	500	110VAC - 12/3	
			IDF-1	P02-01	-	-	LINE
			IDF-1	S01-02		200	SPK - 16/2
			IDF-1	S01-03		200	SPK - 16/2
			IDF-1	S01-04		200	SPK - 16/2
			IDF-1	S01-05		200	SPK - 16/2
			IDF-1	S01-06		200	SPK - 16/2
			IDF-1	S01-07		200	SPK - 16/2
			IDF-1	S01-08		200	SPK - 16/2
			IDF-1	S01-09		200	SPK - 16/2
			IDF-1	S01-10		200	SPK - 16/2
			IDF-1	S01-11		200	SPK - 16/2
			IDF-1	S01-12		200	SPK - 16/2
			IDF-1	S01-13		200	SPK - 16/2
			IDF-1	S01-14		150	SPK - 16/2
			IDF-1	S01-15		150	SPK - 16/2
		IDF-1	S01-16		150	SPK - 16/2	
Speaker	AD-P6T	S01-02	Exhibit	A01-02	200	SPK - 16/2	
Speaker	AD-P6T	S01-03	Exhibit	A01-02	200	SPK - 16/2	
Speaker	AD-P6T	S01-04	Exhibit	A01-02	200	SPK - 16/2	
Speaker	AD-P6T	S01-05	Exhibit	A01-02	200	SPK - 16/2	
Speaker	AD-P6T	S01-06	Exhibit	A01-02	200	SPK - 16/2	
Speaker	AD-P6T	S01-07	Exhibit	A01-02	200	SPK - 16/2	
Speaker	AD-P6T	S01-08	Exhibit	A01-02	200	SPK - 16/2	
Speaker	AD-P6T	S01-09	Exhibit	A01-02	200	SPK - 16/2	
Speaker	AD-P6T	S01-10	Exhibit	A01-02	200	SPK - 16/2	
Speaker	AD-P6T	S01-11	Exhibit	A01-02	200	SPK - 16/2	
Speaker	AD-P6T	S01-12	Exhibit	A01-02	200	SPK - 16/2	
Speaker	AD-P6T	S01-13	Exhibit	A01-02	200	SPK - 16/2	
Speaker	AD-P6T	S01-14	Exhibit	A01-02	150	SPK - 16/2	
Speaker	AD-P6T	S01-15	Exhibit	A01-02	150	SPK - 16/2	
Speaker	AD-P6T	S01-16	Exhibit	A01-02	150	SPK - 16/2	

OVERALL EXHIBIT AREA - WIRING CHART

SCALE: N.T.S.



RUSSELL C. DAVIS  
PLANETARIUM

THIS DOCUMENT CONTAINS COPYRIGHT MATERIAL AND TRADE SECRET INFORMATION BELONGING TO FALCON'S TREEHOUSE AND ITS CLIENT AS NOTED ON PACKAGE. ANY UNAUTHORIZED USE, DISCLOSURE, REPRODUCTION OR PUBLICATION OF ANY OF THE INFORMATION CONTAINED HEREIN MAY RESULT IN LIABILITY UNDER APPLICABLE LAWS.

JACKSON  
PLANETARIUM

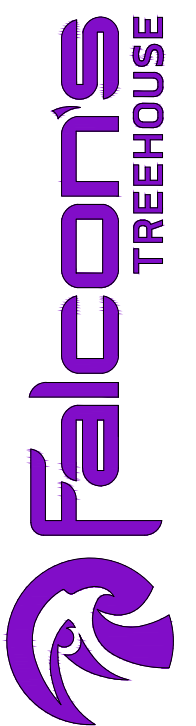
PHASE: 100% DESIGN DEVELOPMENT - EXHIBIT AREA

DRAWING TITLE:  
OVERALL EXHIBIT AREA  
AVX SCHEDULE

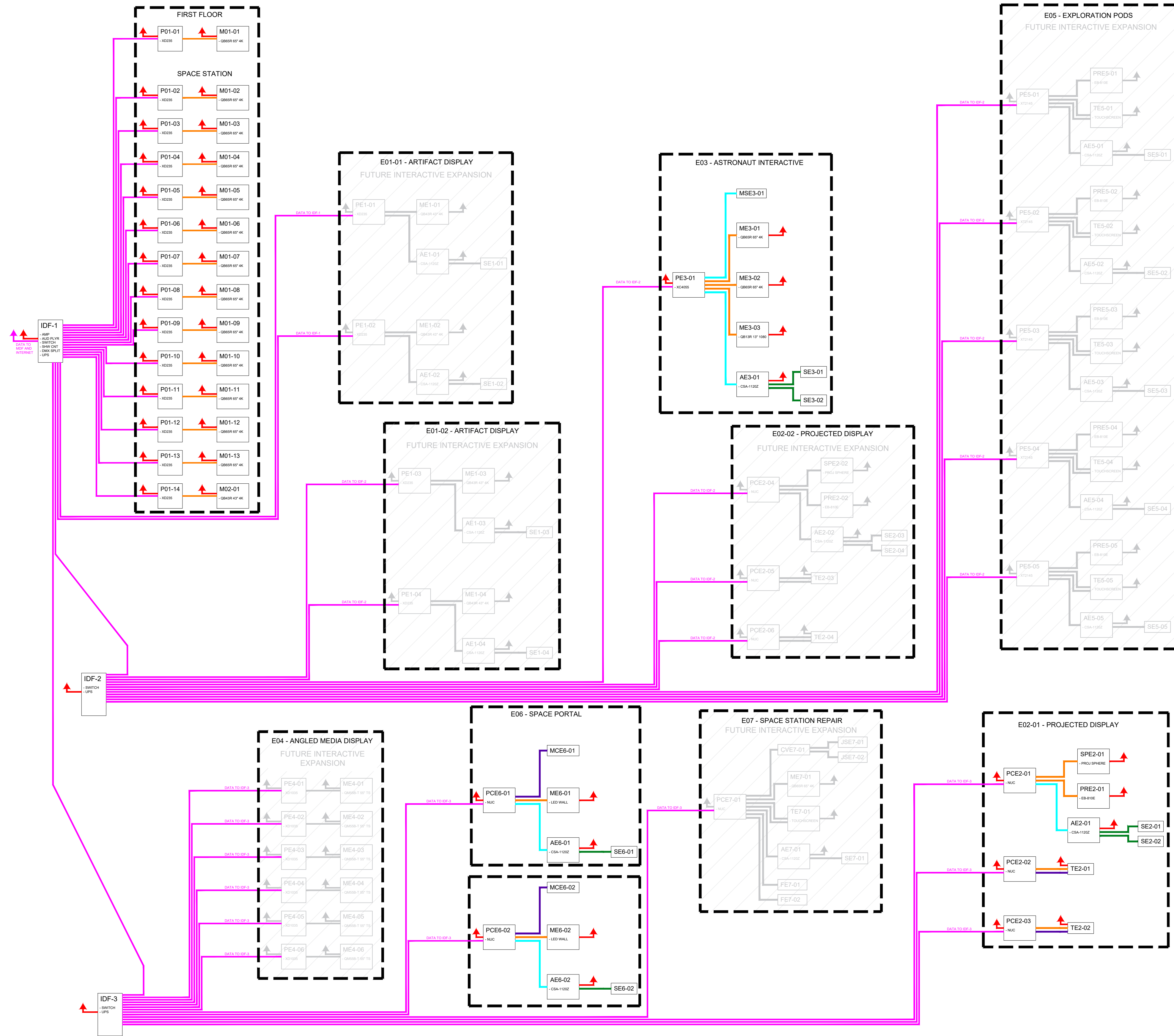
SCALE: AS NOTED

DATE: 01-31-2025

DWG NO.: D2-591







**GENERAL NOTES**

- SEE D2-591 FOR CABLE ROUTING INFORMATION
- WHILE THIS DIAGRAM CONSTITUTES THE COMPLETE PRELIMINARY A/V LINE DIAGRAM, PLEASE REFER TO INDIVIDUAL DOCUMENT SETS FOR ENLARGED VIEWS OF RELEVANT INTERACTIVES OR DETAILS
- DATA RUNS ARE INTENDED TO BE WALL-MOUNTED. CONNECTED COMPONENT LABELS ARE SHOWN FOR CLARITY.
- AREAS OF FUTURE EXPANSION ARE SHOWN FOR REFERENCE.

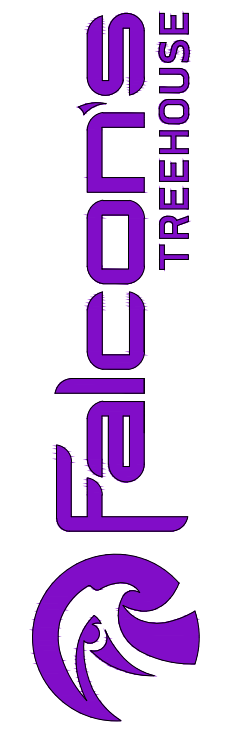
RUSSELL C. DAVIS  
PLANETARIUM

THIS DOCUMENT CONTAINS COPYRIGHT MATERIAL AND TRADE SECRET INFORMATION BELONGING TO FALCON'S TREEHOUSE AND ITS CLIENT AS NOTED ON PACKAGE. ANY UNAUTHORIZED USE, DISCLOSURE, REPRODUCTION OR PUBLICATION OF ANY OF THE INFORMATION CONTAINED HEREIN MAY RESULT IN LIABILITY UNDER APPLICABLE LAWS.

JACKSON  
PLANETARIUM

PHASE: 100% DESIGN DEVELOPMENT - EXHIBIT AREA  
DRAWING TITLE: OVERALL EXHIBIT AREA PRELIMINARY INTERCONNECT

SCALE: AS NOTED  
DATE: 01-31-2025  
DWS NO.: D2-592



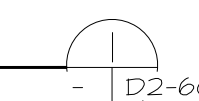
OVERALL EXHIBIT AREA - WIRING CHART

SCALE: N.T.S.



JACKSON PLANETARIUM RE-IMAGINING 100% DD – EXHIBIT AREA GRAPHICS SCHEDULE						
REF #	DESCRIPTION	TYPE	LOCATION	SIZE (W x H)	PHASE IMPLEMENTATION	STATUS
GR.04.001	Space Station Informational Sign (Gateway to Space Station)	Dimensional Mounted Letters	Space Station Interior	60" x 20"	PHASE 2	Detail Development – Shown in Signage Details
GR.04.002	Wall Supergraphic (Area Behind Light Boxes)	Supergraphic	History Exhibit Area	56'3" x 10'4"	PHASE 2	Thematic Style Guide Provided by FBG - Exhibit Fabricator responsible for Design and Installation
GR.04.003	Marquee for Artifact Display (Project Artemis)	Dimensional Mounted Letters	History Exhibit Area	TBD	FUTURE EXPANSION	Detail Development – Shown in Signage Details
GR.04.004	Marquee for Projection Display (Race to the Moon)	Dimensional Mounted Letters	History Exhibit Area	TBD	PHASE 2	Detail Development – Shown in Signage Details
GR.04.005	Marquee for Robotic Repair Interactive (Orbital Operations)	Dimensional Mounted Letters	History Exhibit Area	TBD	FUTURE EXPANSION	Detail Development – Shown in Signage Details
GR.04.006	Themed Operations Signage "Emergency Egress" (Egress Stair – Plan North)	Printed Signage on Brushed Aluminum Substrate	History Exhibit BOH Area	8.25" x 5.5"	PHASE 2	Detail Development – Shown in Signage Details
GR.04.007	Wall Supergraphic (North Side of Space Portal)	Supergraphic	History Exhibit Stair Access	23'5.5" x 12'9"	PHASE 2	Thematic Style Guide Provided by FBG - Exhibit Fabricator responsible for Design and Installation
GR.04.008	Themed Operations Signage "Observatory Exit"	Printed Signage on Brushed Aluminum Substrate	History Exhibit Theater Exit	8" x 10.5"	PHASE 2	Detail Development – Shown in Signage Details
GR.04.009	Marquee for Angled Media Display (Down to Earth)	Dimensional Mounted Letters	Mississippi Space Story	TBD	FUTURE EXPANSION	Detail Development – Shown in Signage Details
GR.04.010	Marquee for Space Portal Interactive (Starbase Sentinel)	Dimensional Mounted Letters	Mississippi Space Story	TBD	PHASE 2	Detail Development – Shown in Signage Details
GR.04.011	Wall Supergraphic (South Side of Space Portal)	Supergraphic	Future Exhibit Stair Access	23'1.5" x 12'9"	PHASE 2	Thematic Style Guide Provided by FBG - Exhibit Fabricator responsible for Design and Installation
GR.04.012	Themed Operations Signage – Duplicate of GR.04.006 "Emergency Egress" (Egress Stair – Plan South)	Printed Signage on Brushed Aluminum Substrate	Future Exhibit BOH Area	8.25" x 5.5"	PHASE 2	Detail Development – Shown in Signage Details
GR.04.013	Themed Operations Signage – Duplicate of GR.04.008 "Observatory Exit"	Printed Signage on Brushed Aluminum Substrate	Future Exhibit Theater Exit	8" x 10.5"	PHASE 2	Detail Development – Shown in Signage Details
GR.04.014	Marquee for Astronaut Interactive (Astro Ambassadors)	Dimensional Mounted Letters	Future Exhibit Area	TBD	PHASE 2	Detail Development – Shown in Signage Details
GR.04.015	Marquee for Artifact Display (Robots Lead the Way)	Dimensional Mounted Letters	Future Exhibit Area	TBD	FUTURE EXPANSION	Detail Development – Shown in Signage Details
GR.04.016	Marquee for Projection Display (Destination Mars)	Dimensional Mounted Letters	Future Exhibit Area	TBD	FUTURE EXPANSION	Detail Development – Shown in Signage Details
GR.04.017	Themed Operations Signage "Space Station Staff Only"	Printed Signage on Brushed Aluminum Substrate	Theater Interior	8.25" x 5.5"	PHASE 2	Detail Development – Shown in Signage Details
GR.04.018	Themed Operations Signage – Duplicate of GR.04.017 "Space Station Staff Only"	Printed Signage on Brushed Aluminum Substrate	Theater Interior	8.25" x 5.5"	PHASE 2	Detail Development – Shown in Signage Details
GR.04.019	Themed Operations Signage – Duplicate of GR.04.017 "Space Station Staff Only"	Printed Signage on Brushed Aluminum Substrate	Theater Interior	8.25" x 5.5"	PHASE 2	Detail Development – Shown in Signage Details
GR.04.020	Space Station Informational Sign – Duplicate of GR.04.001 (Gateway to Space Station)	Dimensional Mounted Letters	Space Station Interior	60" x 20"	PHASE 2	Detail Development – Shown in Signage Details
GR.04.021	Marquee for Exploration Pods (ExoWorld Portals)	Dimensional Mounted Letters	Future Exhibit Area	TBD	FUTURE EXPANSION	Detail Development – Shown in Signage Details
GR.04.022	Wall Supergraphic (South Wall – Between Portals)	Supergraphic	Future Exhibit	27'6.5" x 10'4"	PHASE 2	Thematic Style Guide Provided by FBG - Exhibit Fabricator responsible for Design and Installation
GR.04.023	Marquee for Exploration Pods – Duplicate of GR.04.021 (ExoWorld Portals)	Dimensional Mounted Letters	Future Exhibit Area	TBD	FUTURE EXPANSION	Detail Development – Shown in Signage Details

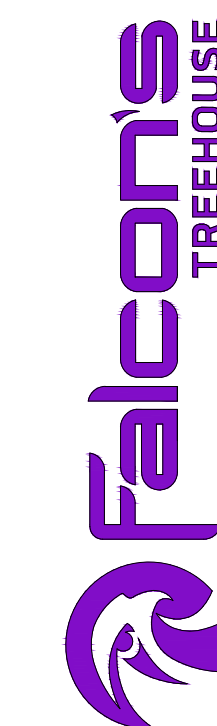
EXHIBIT AREA - SIGNAGE & GRAPHICS SCHEDULE  
SCALE: N.T.S.



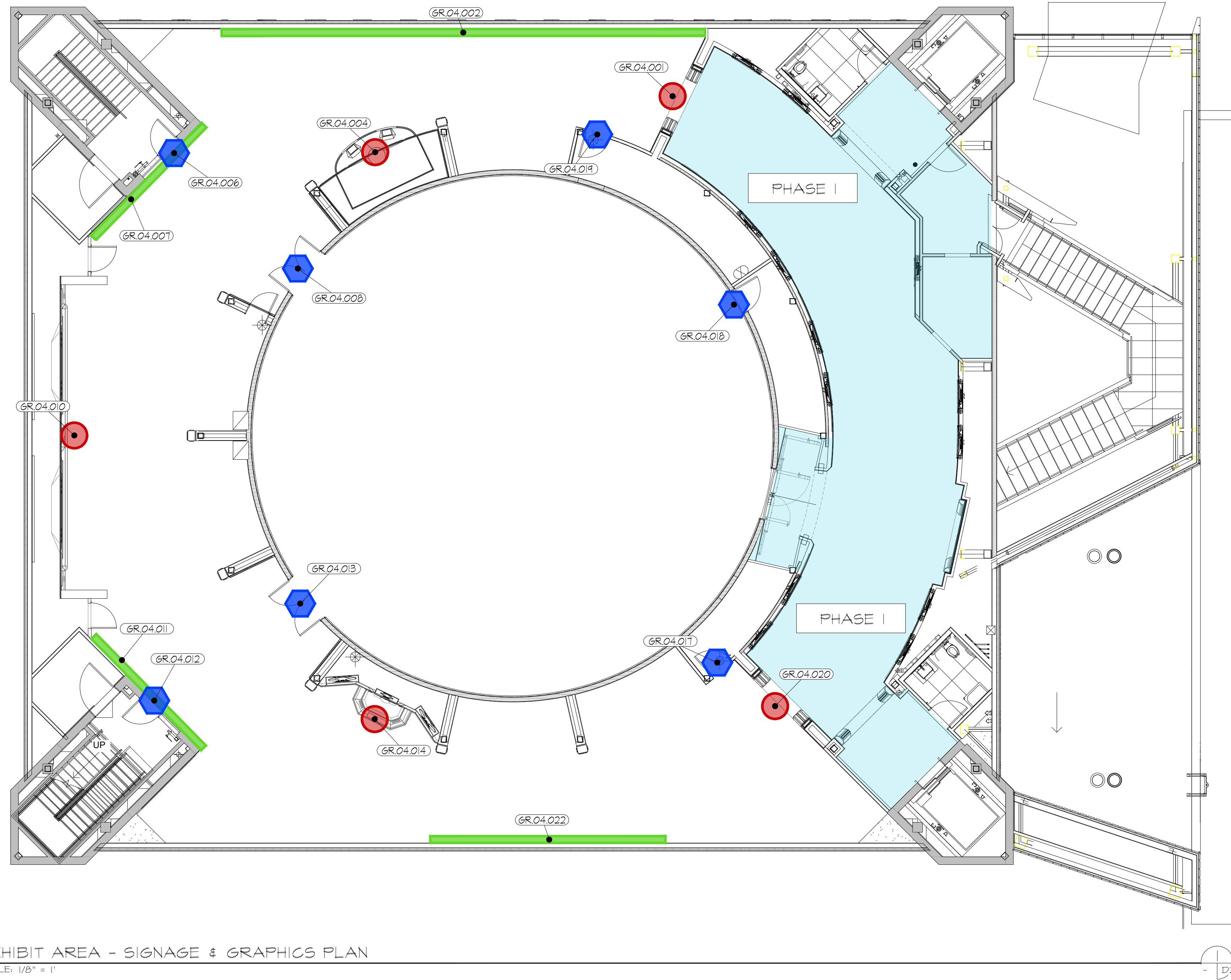
RUSSELL C. DAVIS  
PLANETARIUM

THIS DOCUMENT CONTAINS COPYRIGHT MATERIAL AND TRADE SECRET INFORMATION BELONGING TO FALCONS TREEHOUSE AND ITS CLIENT AS NOTED ON PACKAGE. ANY UNAUTHORIZED USE, DISCLOSURE, REPRODUCTION OR PUBLICATION OF ANY OF THE INFORMATION CONTAINED HEREIN MAY RESULT IN LIABILITY UNDER APPLICABLE LAWS.

JACKSON  
PLANETARIUM  
PHASE 1 - 100% DESIGN DEVELOPMENT - EXHIBIT AREA  
DRAWING TITLE: EXHIBIT AREA  
SIGNAGE & GRAPHICS SCHEDULE  
SCALE: AS NOTED  
DATE: 01-31-2025  
DWS NO.: D2-601







**LEGEND**

- - INTERACTIVE MARQUEES
- ⬡ - THEMED OPERATIONAL SIGNAGE
- - SUPERGRAPHIC

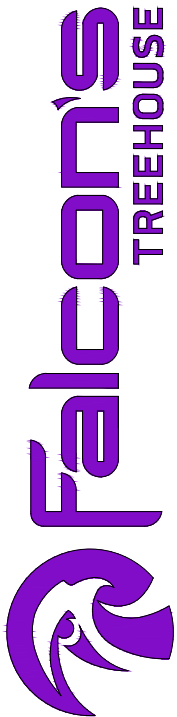
RUSSELL C. DAVIS  
PLANETARIUM

THIS DOCUMENT CONTAINS COPYRIGHT MATERIAL AND TRADE SECRET INFORMATION BELONGING TO FALCONS TREEHOUSE AND ITS CLIENT AS NOTED ON PACKAGE. ANY UNAUTHORIZED USE, DISCLOSURE, DISSEMINATION OR PUBLICATION OF ANY OF THE INFORMATION CONTAINED HEREIN MAY RESULT IN LIABILITY UNDER APPLICABLE LAWS.

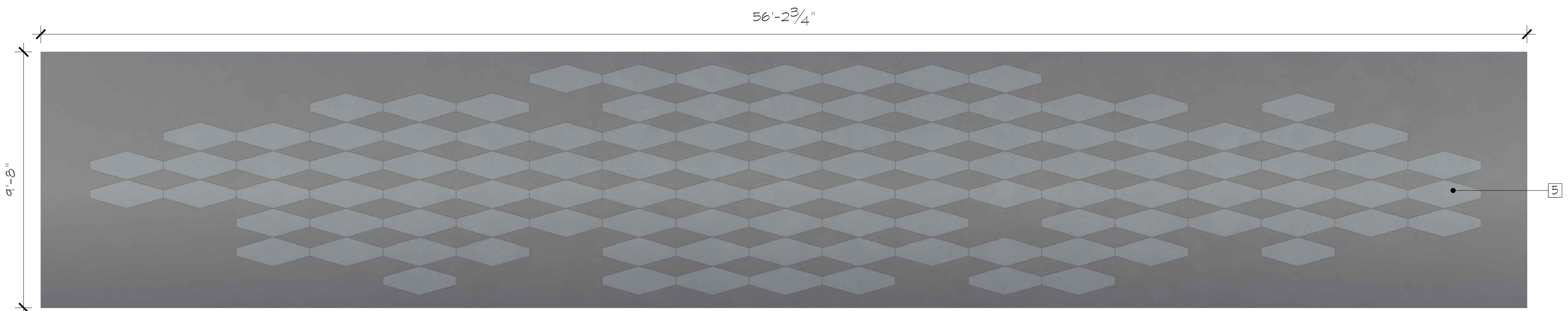
EXHIBIT AREA - SIGNAGE & GRAPHICS PLAN  
SCALE: 1/8" = 1'

D2-611

JACKSON PLANETARIUM	PHASE I - 100% DESIGN DEVELOPMENT - EXHIBIT AREA
EXHIBIT AREA SIGNAGE & GRAPHICS PLAN	DATE: 01-31-2025
SCALE: AS NOTED	DWG NO.: D2-611







- LIST OF SUPERGRAPHIC APPLICATIONS:
- GR.04.002
  - GR.04.007
  - GR.04.011
  - GR.04.022

NOTES:  
 5 - SUPER GRAPHIC APPLIED OVER DRYWALL WITH MINIMUM LEVEL 4 FINISH

GR.04.002 - PLAN NORTH WALL SUPERGRAPHIC - DETAIL

SCALE: 3/8" = 1'

D2-621



GR.04.007 - PLAN WEST WALL SUPERGRAPHIC - DETAIL (2)

SCALE: 3/8" = 1'

D2-621



GR.04.011 - PLAN WEST WALL SUPERGRAPHIC - DETAIL (3)

SCALE: 3/8" = 1'

D2-621



GR.04.022 - PLAN SOUTH WALL SUPERGRAPHIC - DETAIL

SCALE: 1/2" = 1'

D2-621

GENERAL SUPERGRAPHIC NOTES

- ALL LOCATIONS WHERE SUPERGRAPHICS WILL EXIST SHALL BE PROPERLY PREPPED, CLEAN, AND DUST FREE PRIOR TO INSTALLATION.
- DRYWALL SUBSTRATE TO HAVE A MINIMUM LEVEL 4 FINISH
- GRAPHICS SHOWN ON THIS SHEET ARE FOR INTENT
- GRAPHIC PRINT FILES SHOULD HAVE AN EDGE BLEED TO ALLOW FOR SITE CONDITION VARIABLES IN WIDTH AND HEIGHT
- EXISTING SITE TO BE FIELD MEASURED AND PRINT FILE MEASUREMENTS SHOULD BE VALIDATED PRIOR TO FINAL GRAPHIC PRINT PRODUCTION.

RUSSELL C. DAVIS  
 PLANETARIUM

THIS DOCUMENT CONTAINS COPYRIGHT MATERIAL AND TRADE SECRET INFORMATION BELONGING TO FALCON'S TREEHOUSE AND ITS CLIENT AS NOTED ON PACKAGE. ANY UNAUTHORIZED USE, DISCLOSURE, DISSEMINATION OR PUBLICATION OF ANY OF THE INFORMATION CONTAINED HEREIN MAY RESULT IN LIABILITY UNDER APPLICABLE LAWS.

JACKSON  
 PLANETARIUM

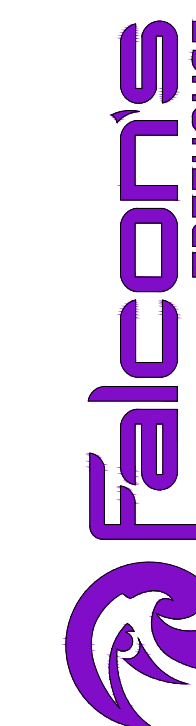
PHASE: 100% DESIGN DEVELOPMENT - EXHIBIT AREA

DRAWING TITLE: SIGNAGE & GRAPHICS DETAILS

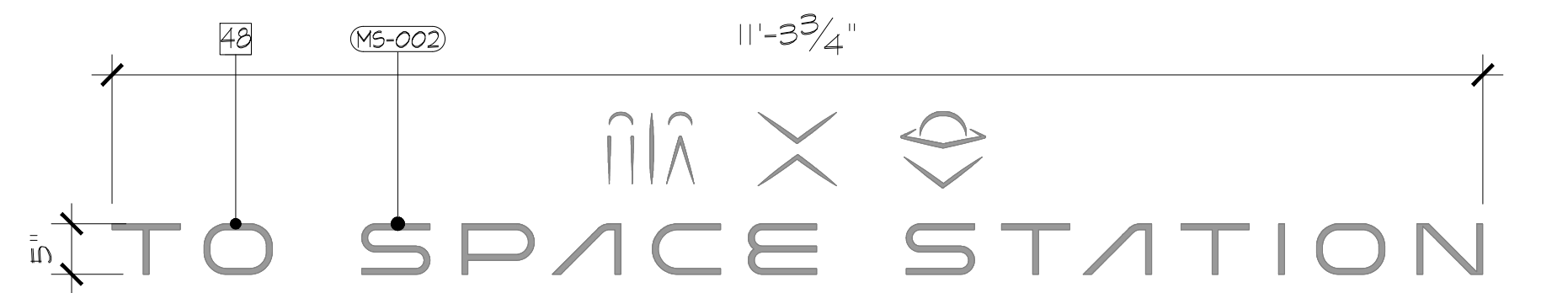
SCALE: AS NOTED

DATE: 01-31-2025

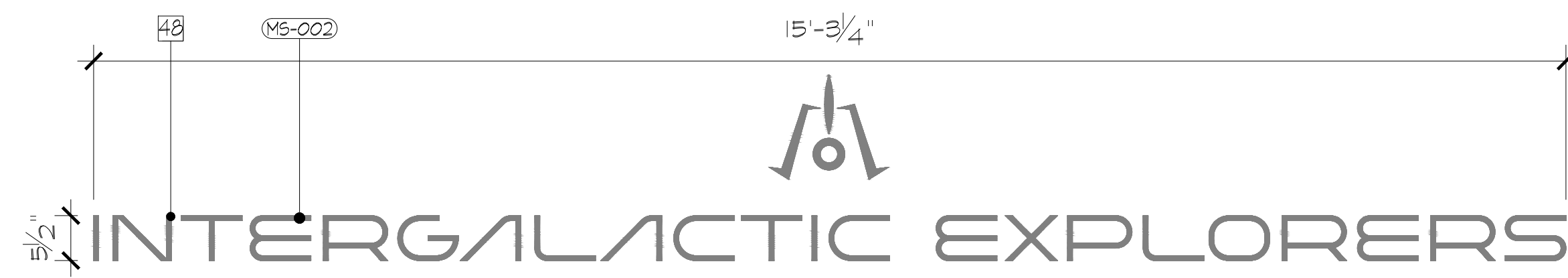
DWG NO.: D2-621



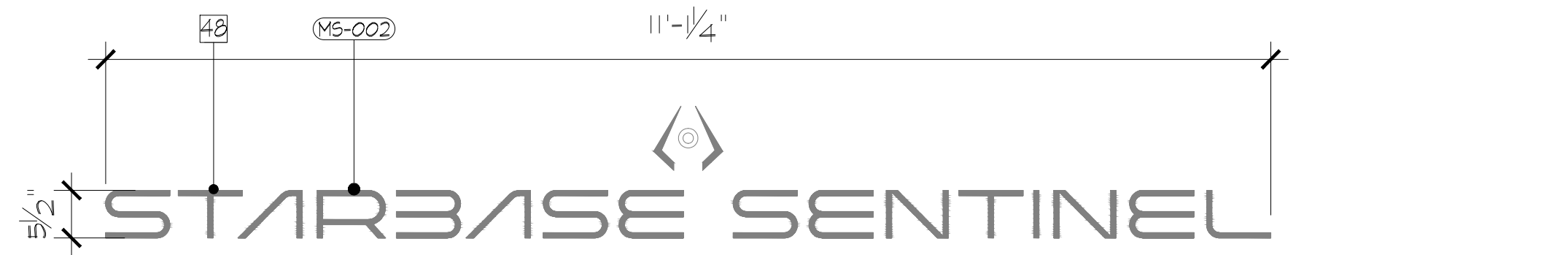




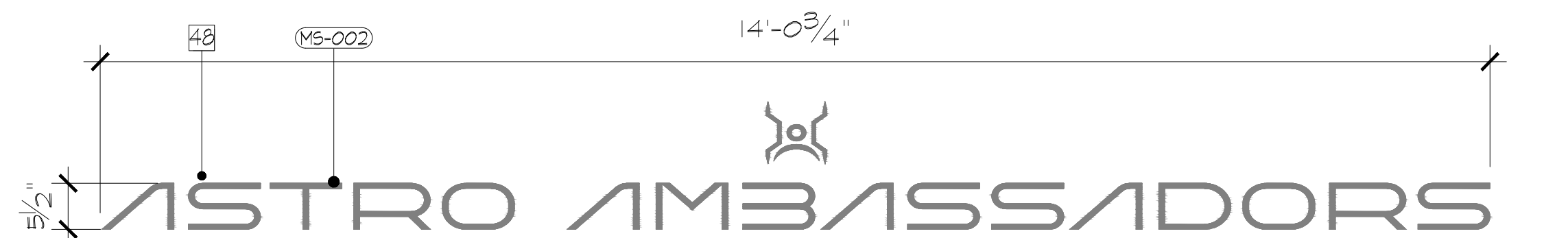
GR.04.001 & GR.04.020 - MARQUEE FOR GATEWAY TO SPACE STATION  
SCALE: 3/4" = 1" D2-611 D2-622



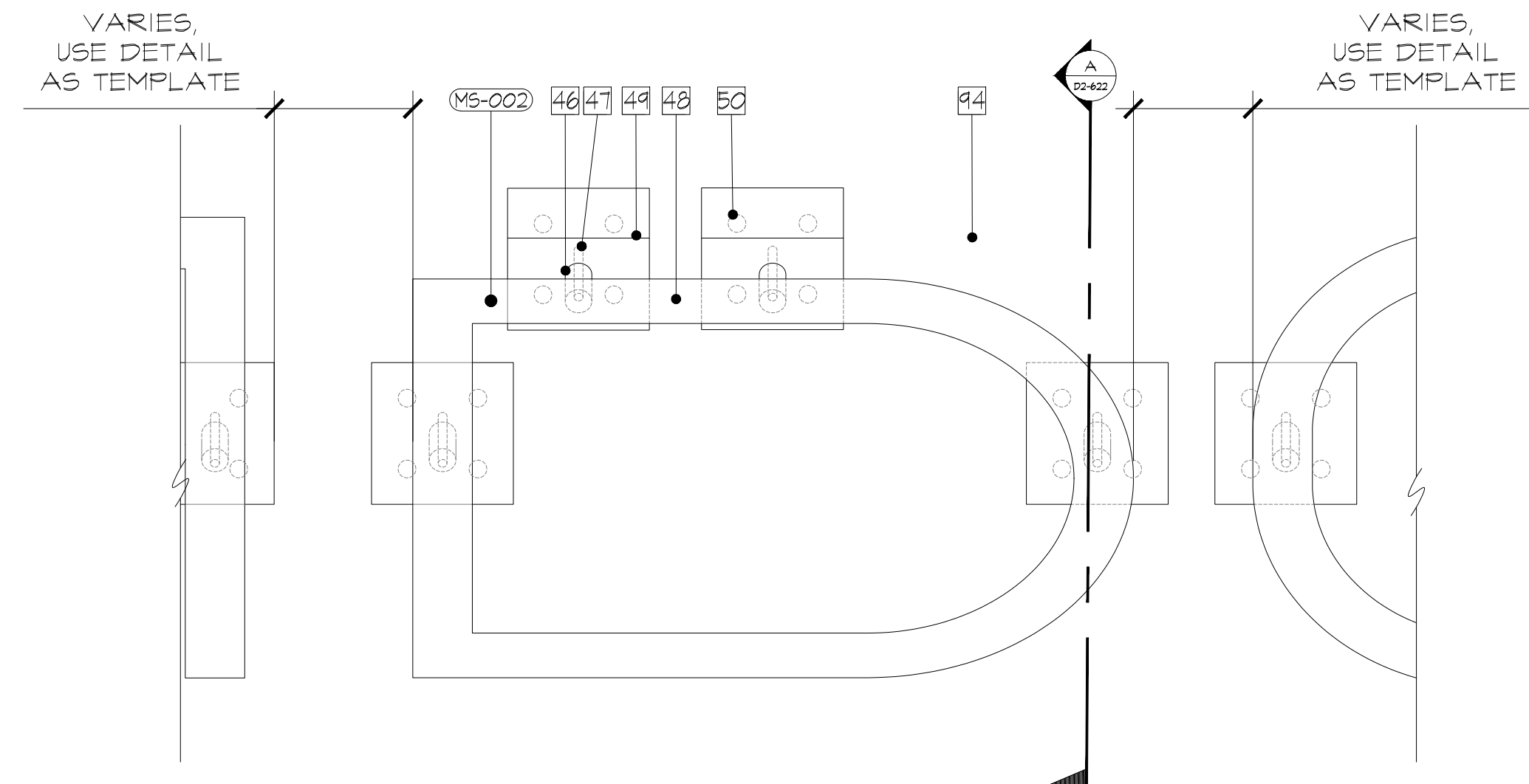
GR.04.004 - MARQUEE FOR PROJECTION DISPLAY  
SCALE: 3/4" = 1" D2-611 D2-622



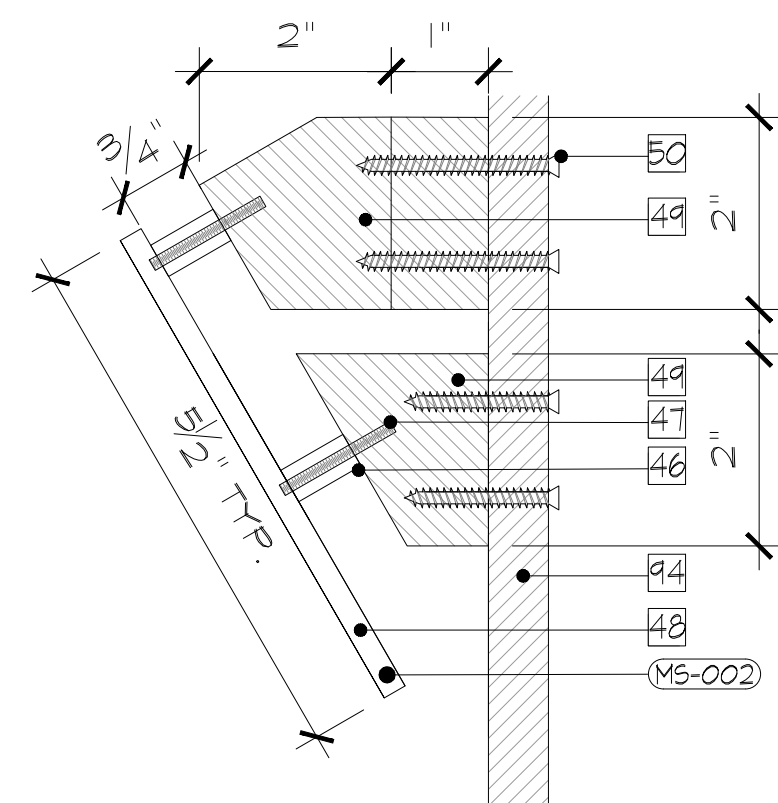
GR.04.010 - MARQUEE FOR SPACE PORTAL INTERACTIVE  
SCALE: 3/4" = 1" D2-611 D2-622



GR.04.014 - MARQUEE FOR ASTRONAUT INTERACTIVE  
SCALE: 3/4" = 1" D2-611 D2-622



TYP. ALUMINUM LETTERING DETAIL  
SCALE: 6" = 1" D2-622



TYP - ALUMINUM LETTERING DETAIL  
SCALE: 6" = 1" D2-622

- LIST OF MARQUEE SIGNAGE:
- GR.04.001
  - GR.04.004
  - GR.04.010
  - GR.04.014
  - GR.04.020

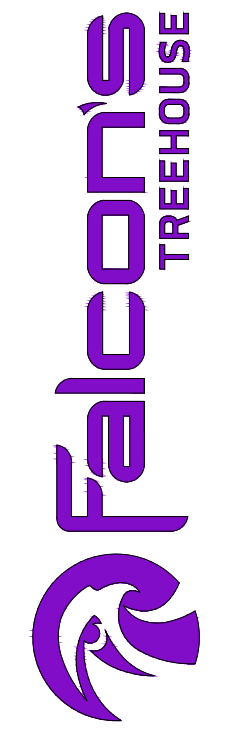
- NOTES:
- 48 - 3" ALUMINUM SPACER
  - 47 - 2 1/4" FULLY THREADED STAINLESS STEEL STUD
  - 49 - 1/4" THICK DIMENSIONAL WATER JET CUT ALUMINUM LETTERS AND ICONS. HEIGHT TO BE 5".
  - 49 - 2X2 BLOCKING TO BE PAINTED TO MATCH WALL COLOR
  - 50 - DRYWALL SCREW TO ATTACH BLOCKING TO SOFFIT
  - 94 - FINAL MOUNTING SURFACE TO BE DRYWALL WITH LEVEL 4 FINISH - ADDITIONAL BLOCK REQUIRED TO SUPPORT SIGNAGE IN ALL MOUNTING LOCATIONS
- M5-002 - BRUSHED ALUMINUM

RUSSELL C. DAVIS  
PLANETARIUM

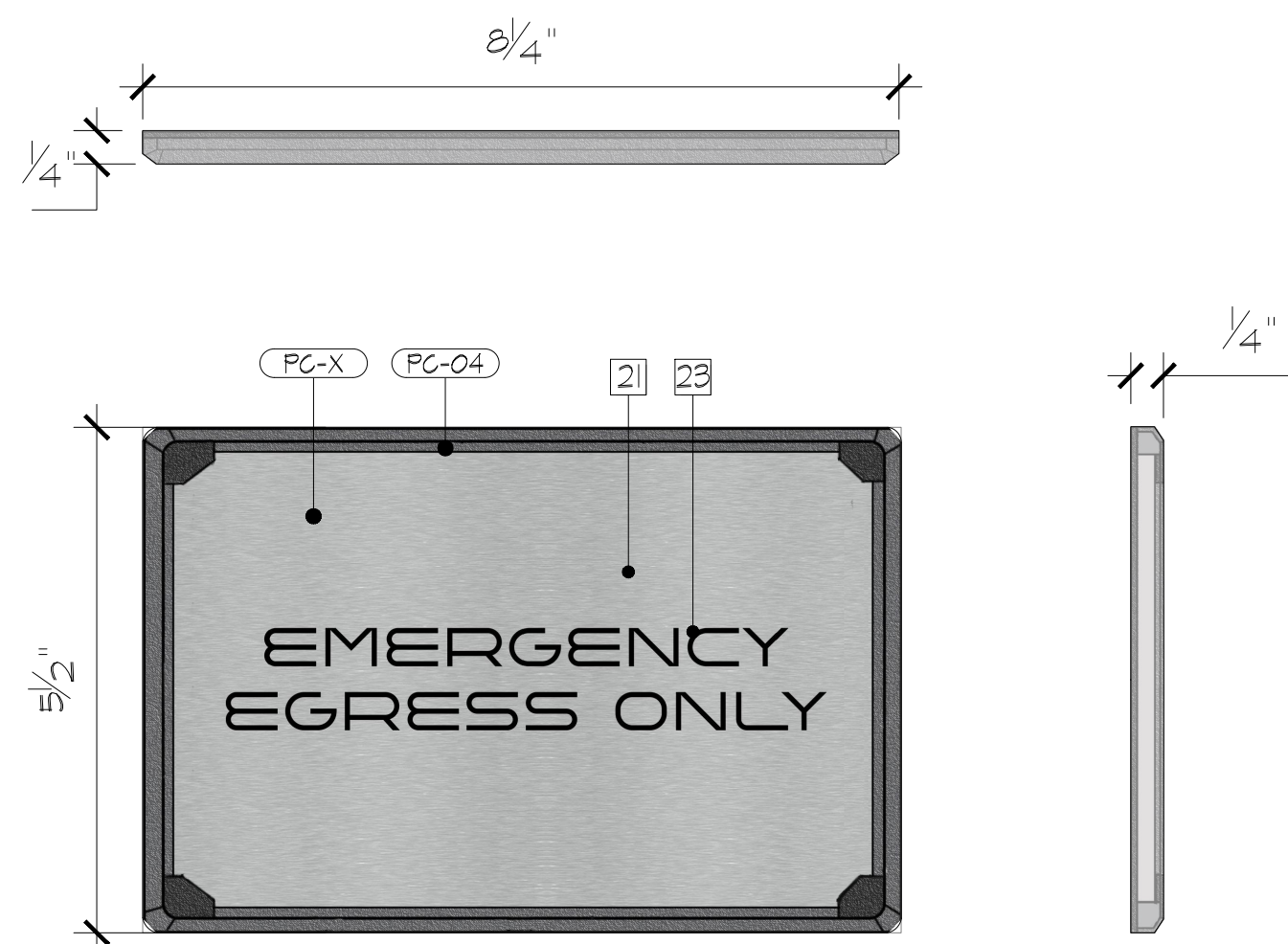
THIS DOCUMENT CONTAINS COPYRIGHT MATERIAL AND TRADE SECRET INFORMATION BELONGING TO FALCON'S TREEHOUSE AND ITS CLIENT AS NOTED ON PACKAGE. ANY UNAUTHORIZED USE, DISCLOSURE, DISSEMINATION OR REPLICATION OF ANY OF THE INFORMATION CONTAINED HEREIN MAY RESULT IN LIABILITY UNDER APPLICABLE LAWS.

JACKSON PLANETARIUM	PHASE: 100% DESIGN DEVELOPMENT - EXHIBIT AREA
SIGNAGE & GRAPHICS DETAILS	DRAWING TITLE
DATE: 01-31-2025	SCALE: AS NOTED
DWG NO.: D2-622	

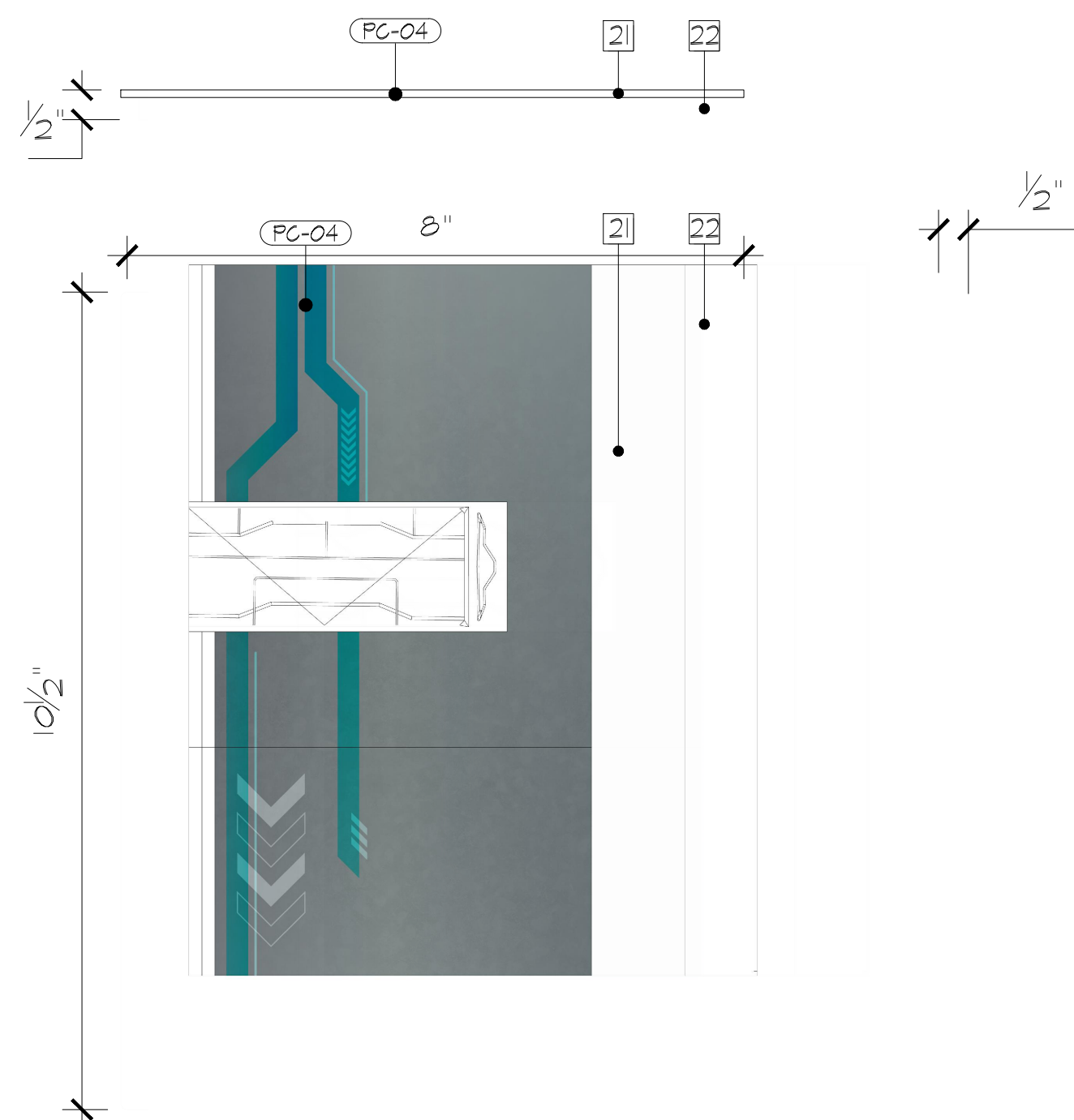
- GENERAL NOTES
- FINAL HARDWARE, SIZING, & FABRICATION METHODOLOGY TO BE DETERMINED BY FABRICATING VENDOR.
  - ADDITIONAL BLOCKING MAY BE REQUIRED TO SUPPORT SIGNAGE - FINAL STRUCTURAL DESIGNATION TBD BY FABRICATING VENDOR.
  - RECOMMENDED WASH LIGHTING TO BE MOUNTED BELOW ALL SIGNAGE LOCATIONS - FINAL LAYOUT TBD TO ENSURE UNIFORM FIXTURE SPACING AND UNIFORM UPLIGHTING OF EACH SIGN



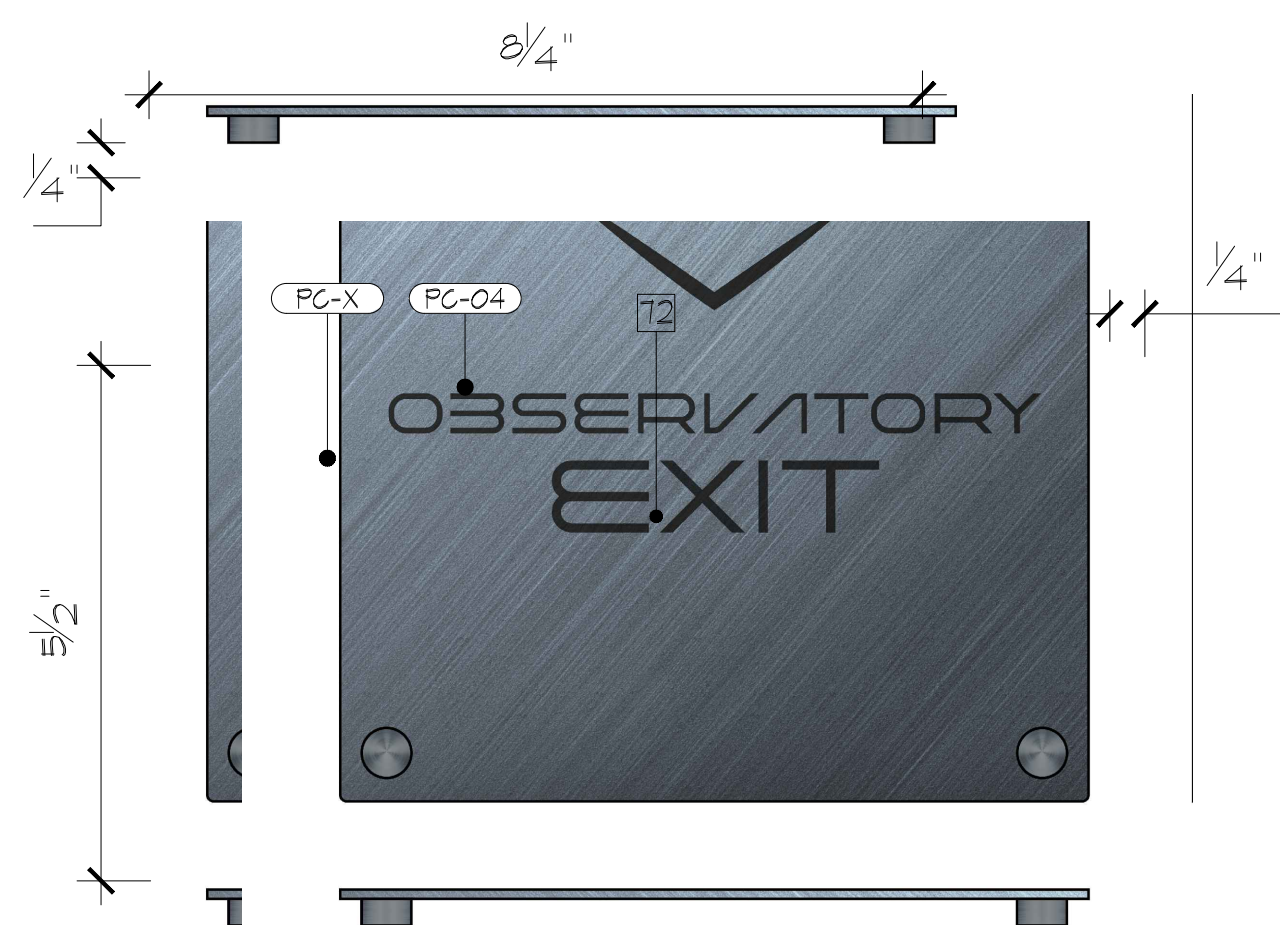




GR.04.006 & GR.04.012 - THEMED OPERATIONS SIGNAGE - EMERGENCY EGRESS (1)  
 SCALE: 6" = 1" D2-611 | D2-623



GR.04.008 & GR.04.013 - THEMED OPERATIONS SIGNAGE - OBSERVATORY EXIT (2)  
 SCALE: 6" = 1" D2-611 | D2-623



GR.04.017, GR.04.018, GR.04.019 - THEMED OPERATIONS SIGNAGE - OBSERVATORY EXIT (3)  
 SCALE: 6" = 1" D2-611 | D2-623

- LIST OF THEMED OPERATIONAL SIGNAGE:
- GR.04.006
  - GR.04.008
  - GR.04.012
  - GR.04.013
  - GR.04.017
  - GR.04.018
  - GR.04.019

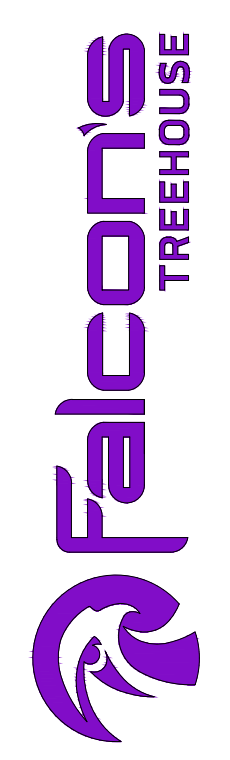


- NOTES:
- 21 - BRUSHED ALUMINUM SURFACE WITH CNC CUT TEXT OPENINGS TO REVEAL POLYCARBONATE DIFFUSER
  - 22 - EXPOSED ALUMINUM HARDWARE
  - 23 - RECESSED LED LIGHTING EFFECT WITH POLYCARBONATE DIFFUSER
  - 42 - WATER JET CUT ALUMINUM LETTERS
  - 14 - DIMENSIONAL SIGNAGE FRAME CONSTRUCTED WITH MDF WITH SCENIC PAINT TREATMENT.
  - 12 - BRUSHED ALUMINUM WITH PRINTED GRAPHICS
  - 13 - BRUSHED ALUMINUM SIGNAGE STANDOFFS
  - PC-04 - KYDEX 53235 RAILING
  - PC-X - BRUSHED ALUMINUM

RUSSELL C. DAVIS  
 PLANETARIUM

THIS DOCUMENT CONTAINS COPYRIGHT MATERIAL AND TRADE SECRET INFORMATION BELONGING TO FALCON'S TREEHOUSE AND ITS CLIENT AS NOTED ON PACKAGE. ANY UNAUTHORIZED USE, DISCLOSURE, DISSEMINATION OR PUBLICATION OF ANY OF THE INFORMATION CONTAINED HEREIN MAY RESULT IN LIABILITY UNDER APPLICABLE LAWS.

JACKSON PLANETARIUM		PHASE: 100% DESIGN DEVELOPMENT - EXHIBIT AREA
SIGNAGE & GRAPHICS DETAILS		DRAWING TITLE:
SCALE: AS NOTED	DATE: 01-31-2025	DWG NO.: D2-623



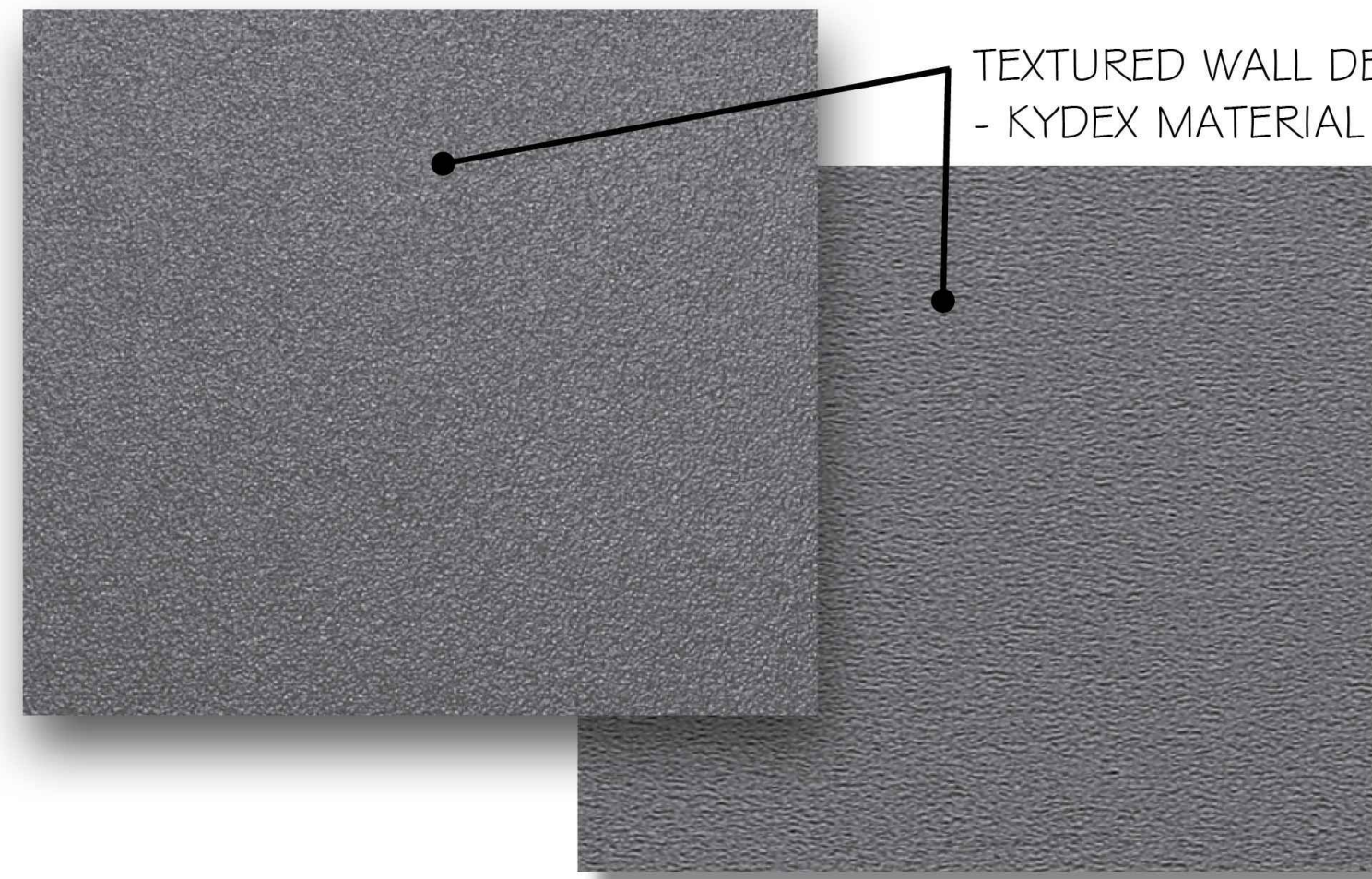




INTEGRATED LED LIGHTING DETAIL.



APPLIED SUPER GRAPHIC WALL WRAP.



TEXTURED WALL DETAIL  
- KYDEX MATERIAL

WALL MATERIAL COLOR SELECTION.



EXHIBIT CARPET SELECTION.

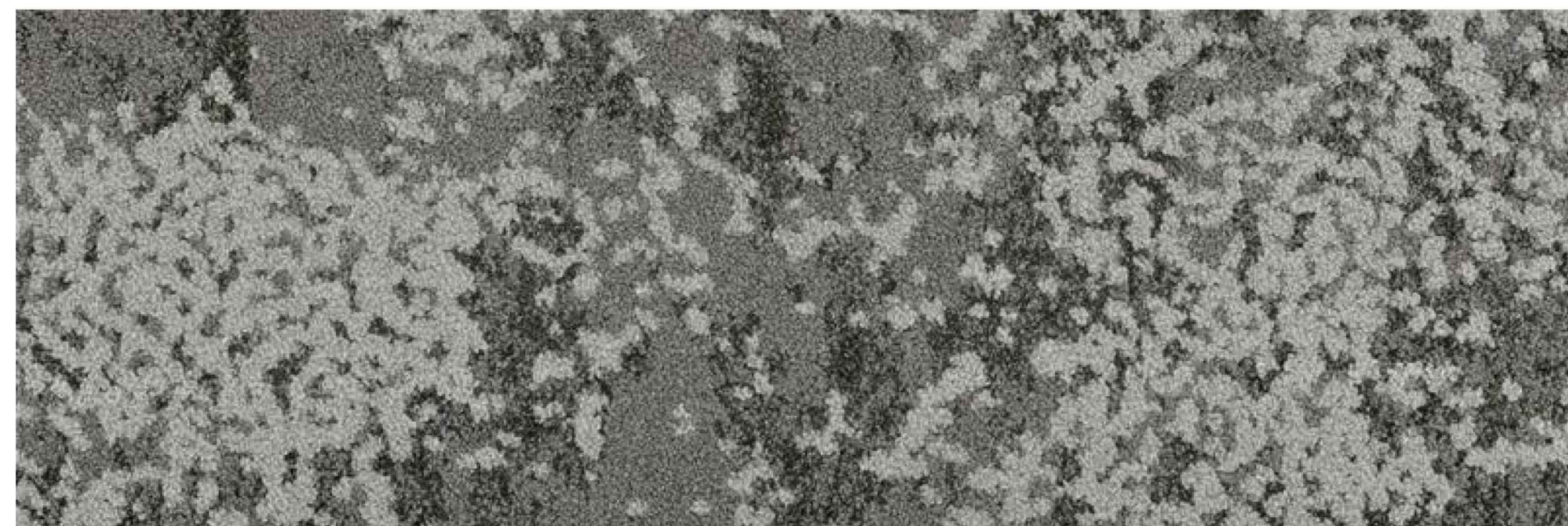


EXHIBIT AREA - STYLE BOARD  
SCALE: N.T.S.

D2-901

RUSSELL C. DAVIS  
PLANETARIUM

THIS DOCUMENT CONTAINS COPYRIGHT MATERIAL AND TRADE SECRET INFORMATION BELONGING TO FALCON'S TREEHOUSE AND ITS CLIENT AS NOTED ON PACKAGE. ANY UNAUTHORIZED USE, DISCLOSURE, DISSEMINATION OR PUBLICATION OF ANY OF THE INFORMATION CONTAINED HEREIN MAY RESULT IN LIABILITY UNDER APPLICABLE LAWS.

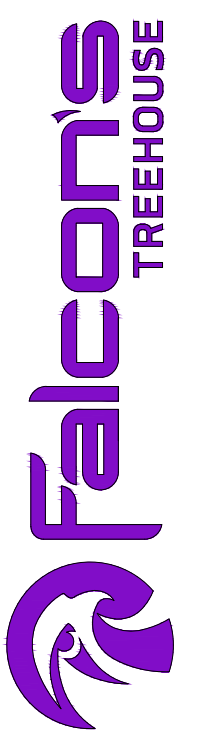
JACKSON  
PLANETARIUM

PHASE: 100% DESIGN DEVELOPMENT - EXHIBIT AREA  
DRAWING TITLE:

EXHIBIT AREA  
STYLE BOARD

SCALE: AS NOTED  
DATE: 01-31-2025

DWG NO.: D2-901









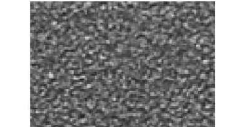
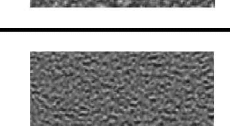
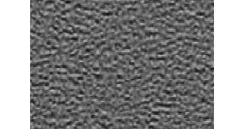




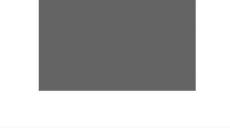



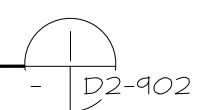
Jackson Planetarium		FINISHES				
Category	ID	Location Description	Details Part # / Item Name / Color	Manufacturer Site Link / Contact	Image	Notes
PAINT & CLADDING	PC-001		Bayou 53260	Kydex		
	PC-002		Runway 72943	Kydex		
	PC-003		Porch 53233	Kydex		
	PC-004		Railing 53235	Kydex		
	PC-005		TEXTURE FOR KYDEX COLORS Cashmere PK	Kydex Texture Option		
	PC-006		TEXTURE FOR KYDEX COLORS Velour Matte P3	Kydex Texture Option		
	PC-007	Wall Color	7069 Iron Ore	Sherwin Williams		
	PC-008	Wall Color	7062 Rock Bottom	Sherwin Williams		
	PC-009	Wall Color	7075 Web Gray	Sherwin Williams		
	PC-010	Wall Color	7072 Online	Sherwin Williams		
	PC-011	Wall Color	7073 Network Gray	Sherwin Williams		
	PC-012	Wall Color	7067 Cityscape	Sherwin Williams		
	PC-013	Go Away Blue	Pantone 540U			
	PC-014	Wall Color	6254 Lazy Gray	Sherwin Williams		
	PC-015	Metallic Paint Accent	Stannic MTL102	PPG		

EXHIBIT SPACE - FINISH SCHEDULE  
SCALE: N.T.S.



RUSSELL C. DAVIS  
PLANETARIUM

THIS DOCUMENT CONTAINS COPYRIGHT MATERIAL AND TRADE SECRET INFORMATION BELONGING TO FALCON'S TREEHOUSE AND ITS CLIENT AS NOTED ON PACKAGE. ANY UNAUTHORIZED USE, DISCLOSURE, REPRODUCTION OR PUBLICATION OF ANY OF THE INFORMATION CONTAINED HEREIN MAY RESULT IN LIABILITY UNDER APPLICABLE LAWS.

JACKSON  
PLANETARIUM

PHASE: 100% DESIGN DEVELOPMENT - EXHIBIT AREA

DRAWING TITLE: EXHIBIT SPACE FINISH SCHEDULE

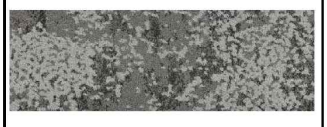






SCALE: AS NOTED

DATE: 01-31-2025

DWG NO.: D2-902





Category	ID	Location Description	Details Part # / Item Name / Color	Manufacturer Site Link / Contact	Image	Notes
	FL-02	Exhibit Side	Mohawk Macro Bloom II - GT474 Color: Moonglow Bark 837	<a href="#">Mohawk</a>		
	FL-03	Exhibit Side	Mohawk Macro Bloom II - GT474 Color: Felted Fringe Stone 975	<a href="#">Mohawk</a>		
	FL-04	Exhibit Side	Mohawk Colorbear - GT150 Color: Black bean 996	<a href="#">Mohawk</a>		
	FL-11	Space Station Base Trim	Nora Rubber Base Trim 6267 Floral White	<a href="#">Nora</a>		
	FL-12	Elevator, Airlock, Gantry Base Trim	Nora Rubber Base Trim 6268 Silver	<a href="#">Nora</a>		
	FL-13	Elevator, Airlock, Gantry Base Trim	Nora Rubber Base Trim 6266 Gunsmoke	<a href="#">Nora</a>		
	FL-14	Exhibit Side Base Trim HPL applied to Base Trim	Formica HPL Mouse	<a href="#">Formica</a>		



Category	ID	Location Description	Details Part # / Item Name / Color	Manufacturer Site Link / Contact	Image	Notes
MISC. ELEMENTS	MS-001	Exploration Pod and Projected Display	Screen Goo 2.0 Max Contrast	<a href="#">Screen Goo</a>		
	MS-002	Signage	Brushed Aluminum	This is a reference image only		
	MS-003	Applied Wall Graphics	Koroseal D50121	<a href="#">J&amp;J</a>		

EXHIBIT SPACE - FINISH SCHEDULE  
SCALE: N.T.S.

D2-903

RUSSELL C. DAVIS  
PLANETARIUM

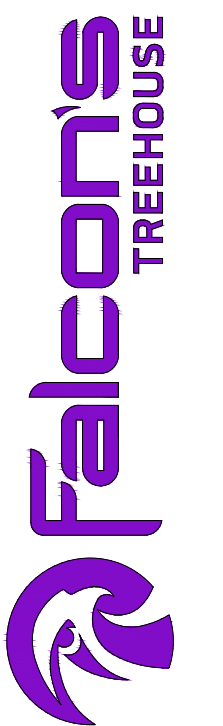
THIS DOCUMENT CONTAINS COPYRIGHT MATERIAL AND TRADE SECRET INFORMATION BELONGING TO FALCON'S TREEHOUSE AND ITS CLIENT AS NOTED ON PACKAGE. ANY UNAUTHORIZED USE, DISCLOSURE, DISSEMINATION OR PUBLICATION OF ANY OF THE INFORMATION CONTAINED HEREIN MAY RESULT IN LIABILITY UNDER APPLICABLE LAWS.

JACKSON  
PLANETARIUM

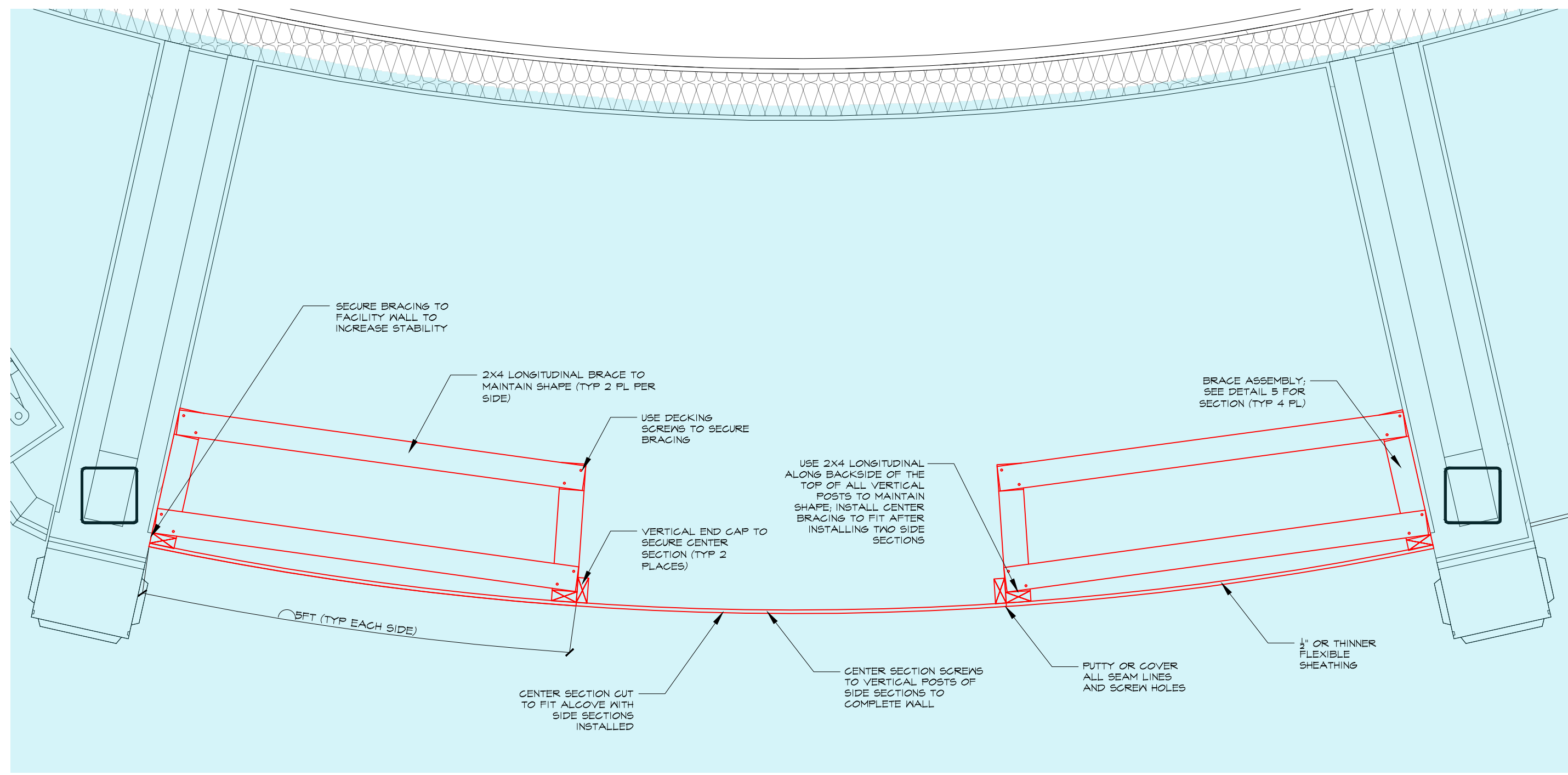
PHASE: 100% DESIGN DEVELOPMENT - EXHIBIT AREA  
DRAWING TITLE:

EXHIBIT SPACE  
FINISH SCHEDULE

SCALE: AS NOTED  
DATE: 01-31-2025  
DWS NO.: D2-903

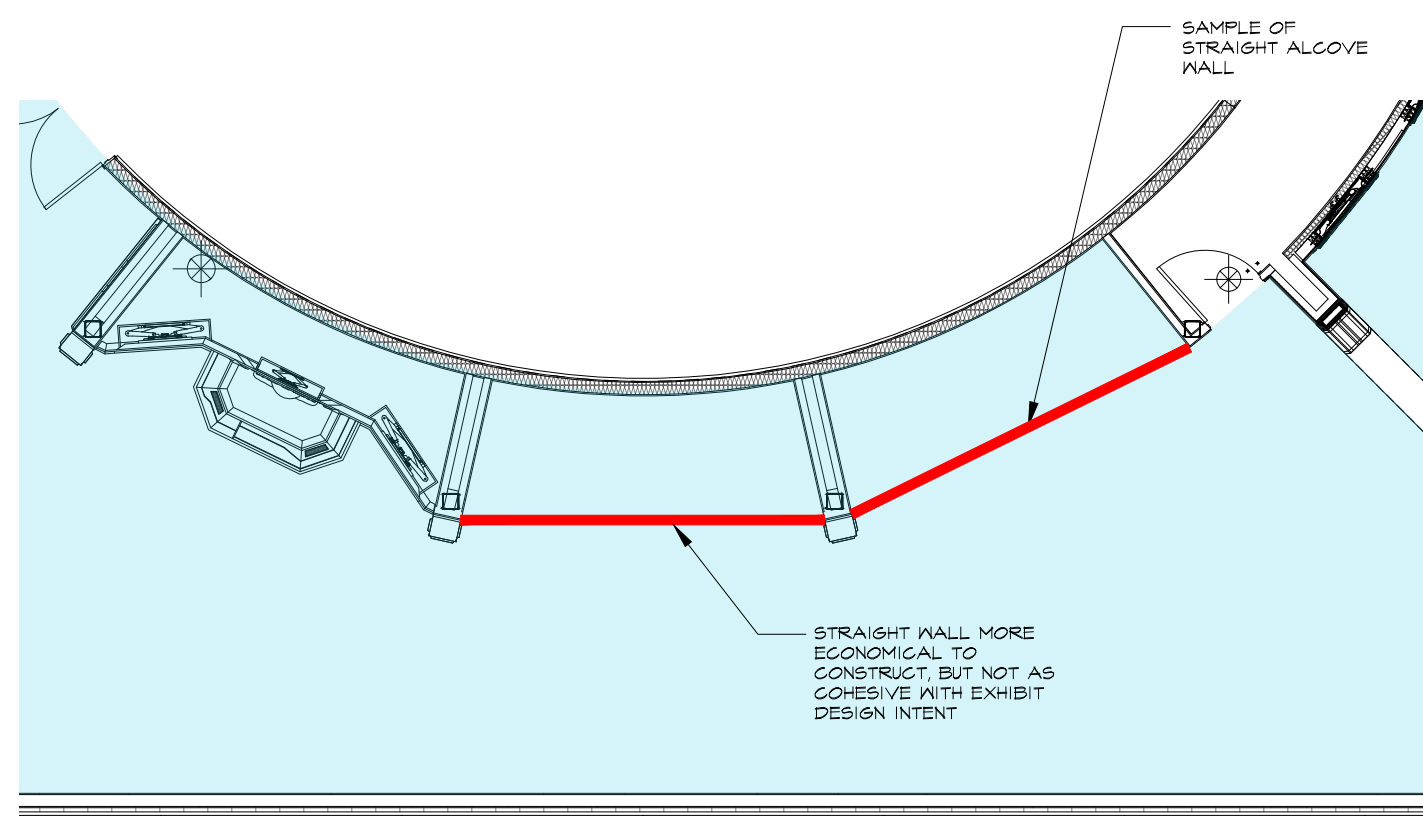






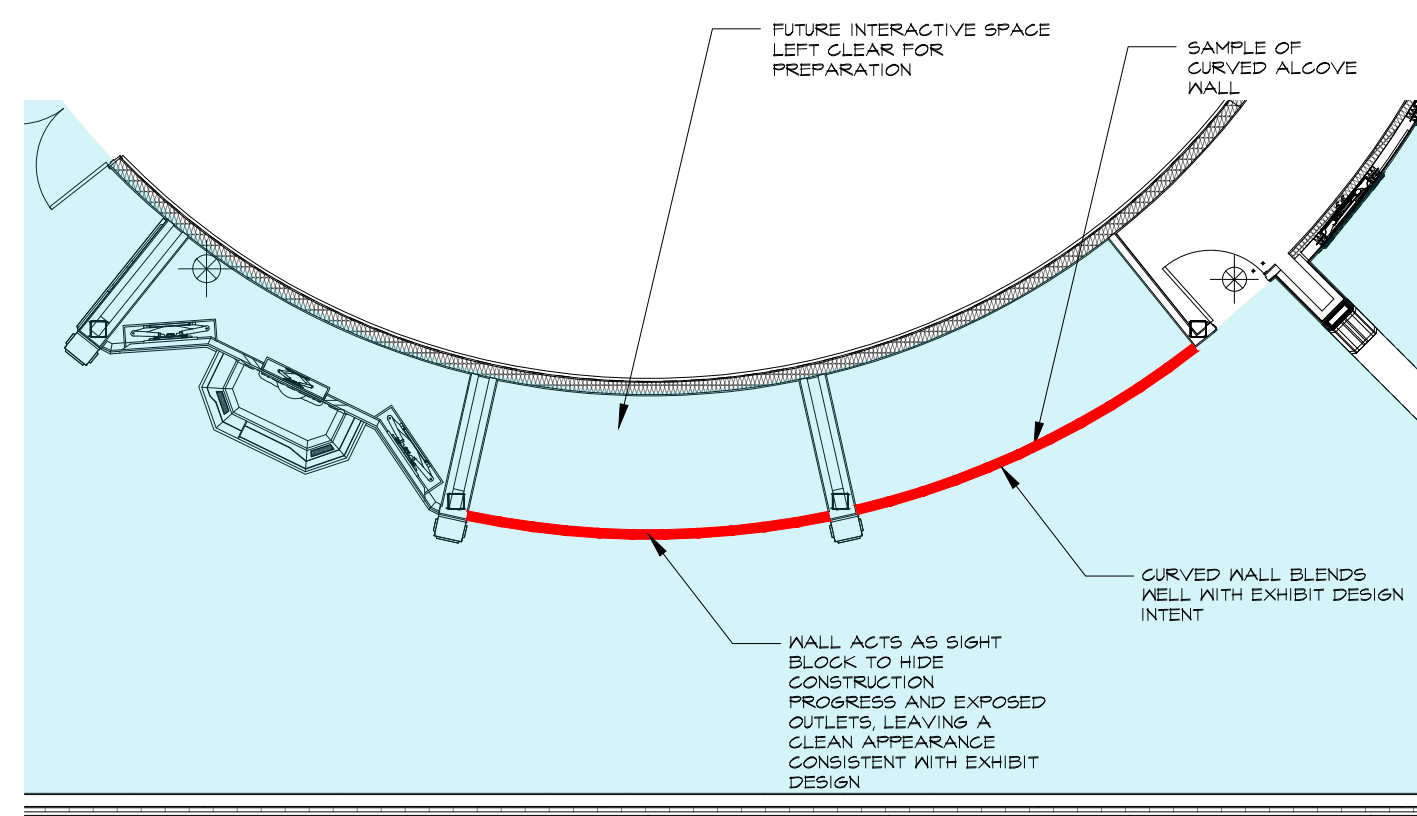
TEMPORARY ALCOVE WALL - DETAIL  
SCALE: N.T.S.

D2-951



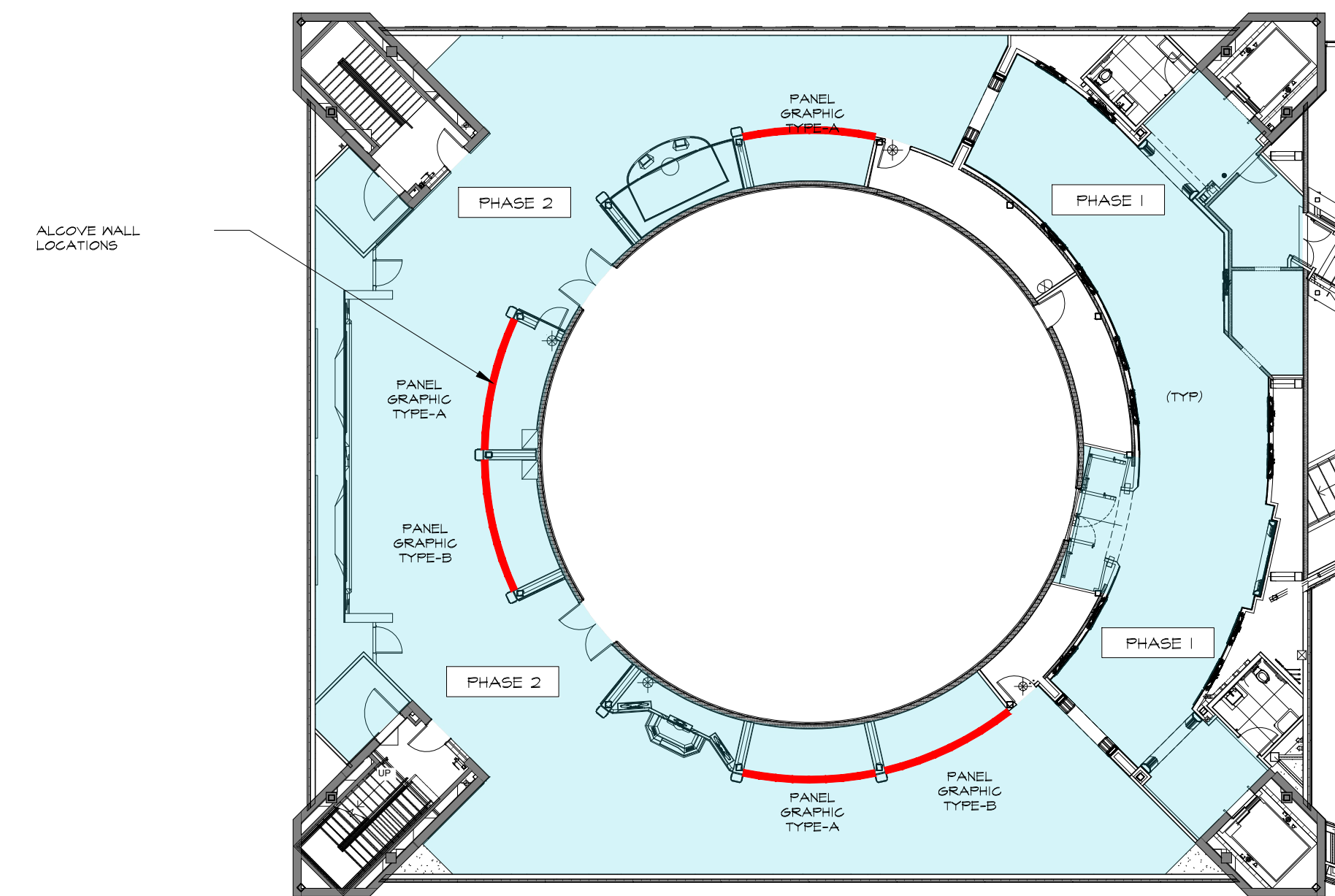
STRAIGHT ALCOVE WALL - OVERVIEW  
SCALE: N.T.S.

D2-951



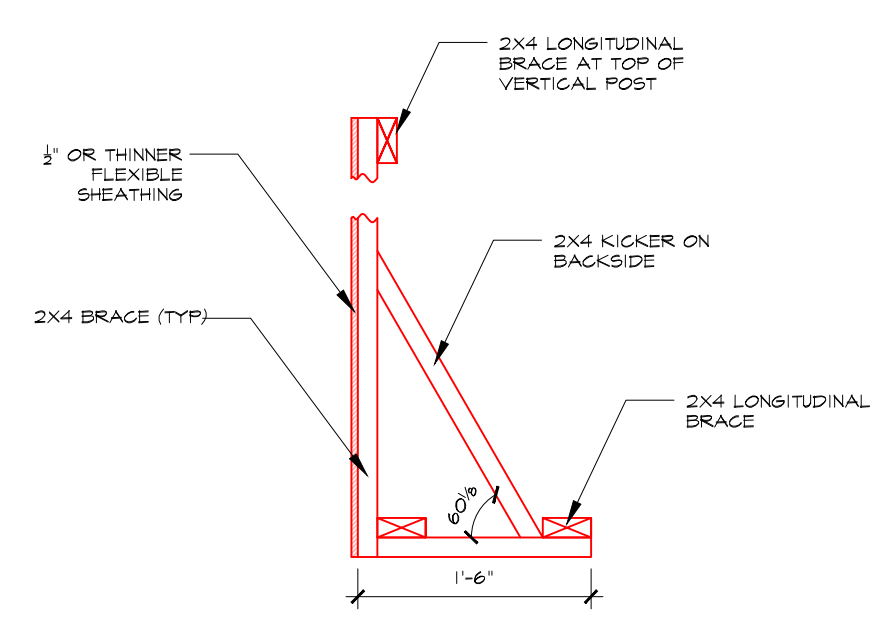
CURVED ALCOVE WALL - OVERVIEW  
SCALE: N.T.S.

D2-951



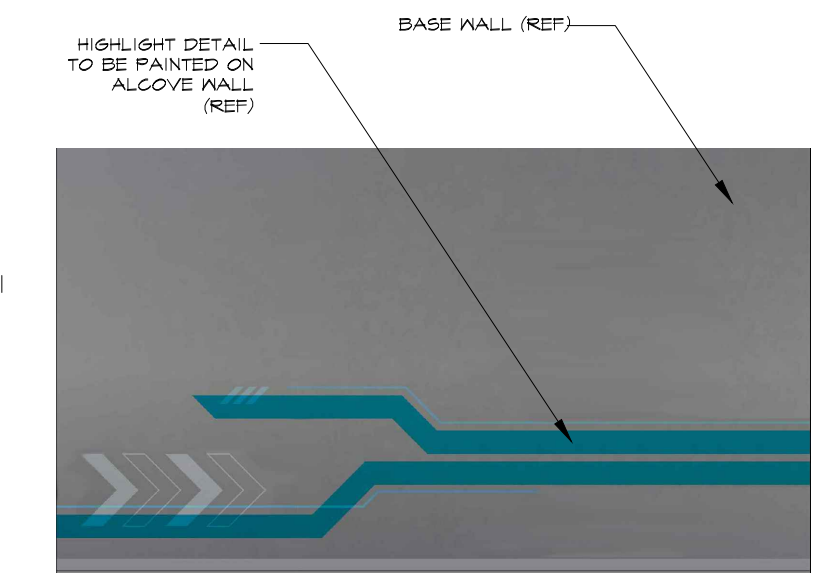
RECOMMENDED TEMPORARY ALCOVE WALL LOCATIONS 2  
SCALE: N.T.S.

D2-951



SECTION - BRACE  
SCALE: N.T.S.

- GENERAL NOTES**
- ALCOVE CONSTRUCTION WALLS RECOMMENDED FOR CLEANLINESS AND COMPLETENESS OF EXHIBIT
  - WALL SECTIONS ARE INTENDED TO BE QUICKLY REMOVABLE AND TRANSPORTED THROUGH ELEVATOR.
  - WALL SECTIONS SHOULD HAVE BASE COLOR TO MATCH SPACE STATION THEME, ALONG WITH SECOND TONE OF PAINT TO MATCH TEXTURE DETAIL FOUND THROUGHOUT THE EXHIBIT.
  - TWO OPTIONS OF WALL-TYPE ARE PROVIDED AS SUGGESTIONS. FINAL DESIGN TO BE DETERMINED BY CUSTOMER AND GC.

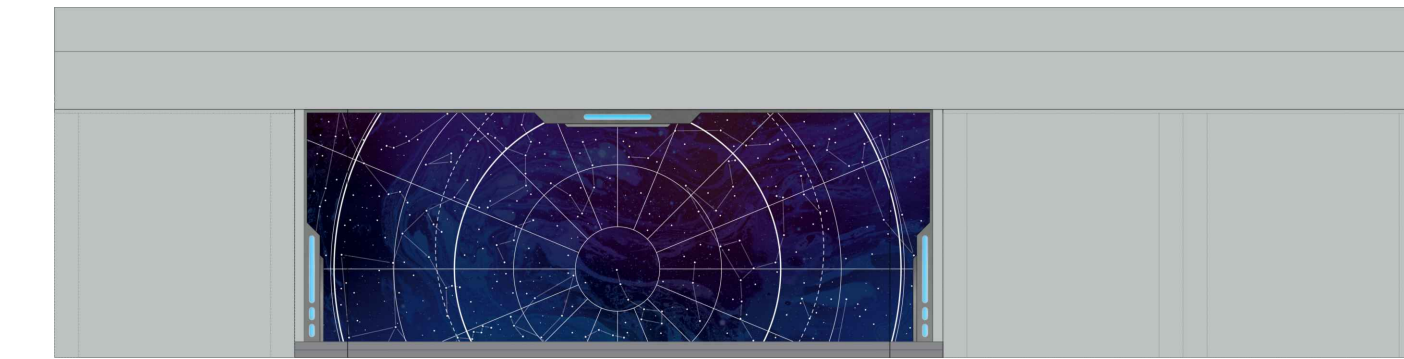


ALCOVE WALL - TYPE-A  
SCALE: N.T.S.

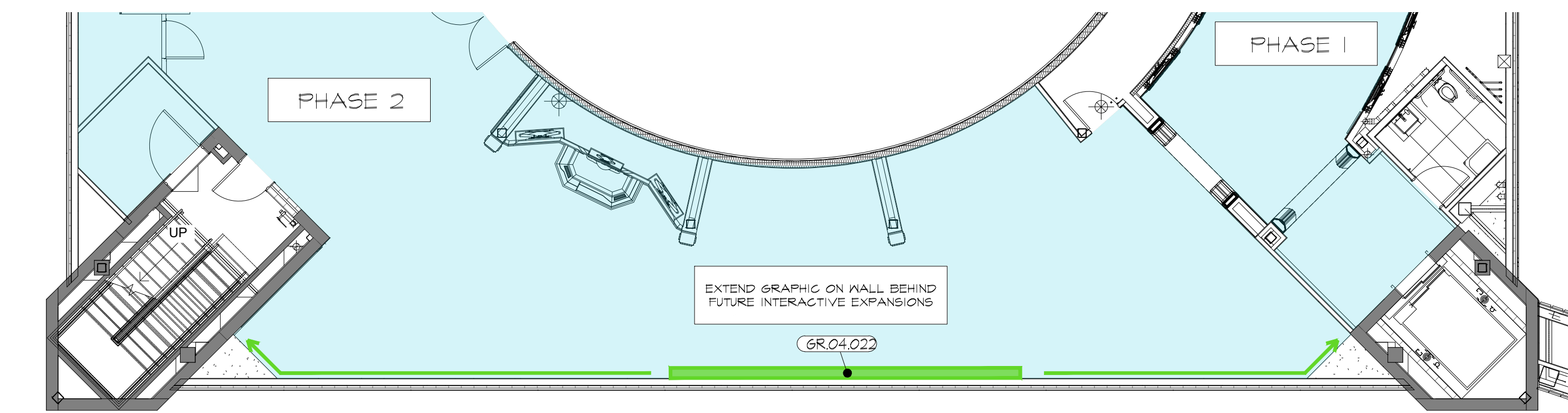


ALCOVE WALL - TYPE-B  
SCALE: N.T.S.

GRAPHIC REFERENCE IN ELEVATION (D2-301)



D2-951



WALL GRAPHICS ADJUSTMENT  
SCALE: N.T.S.

RUSSELL C. DAVIS  
PLANETARIUM

THIS DOCUMENT CONTAINS COPYRIGHT MATERIAL AND TRADE SECRET INFORMATION BELONGING TO FALCONS TREEHOUSE AND ITS CLIENT AS NOTED ON PACKAGE. ANY UNAUTHORIZED USE, DISCLOSURE, REPRODUCTION OR PUBLICATION OF ANY OF THE INFORMATION CONTAINED HEREIN MAY RESULT IN LIABILITY UNDER APPLICABLE LAWS.

JACKSON PLANETARIUM	DATE: 01-31-2025	DWG NO.: D2-951
100% DESIGN DEVELOPMENT - EXHIBIT AREA	AS NOTED	
EXHIBIT SPACE PHASE 2 RECOMMENDATIONS		

